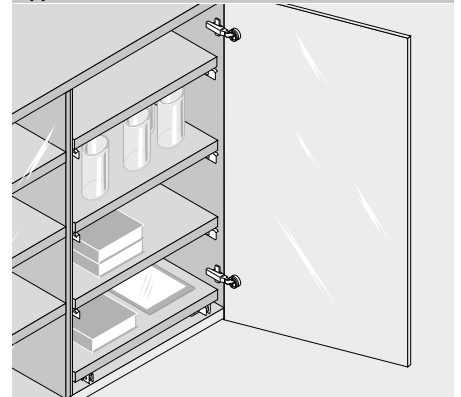


Glass door hinge

 Web code
DQDP5A


- Glass door hinge
- For front thickness FD 4.5–7 mm
- CLIP top with closing mechanism (spring)
- 94° opening angle
- 3-dimensional front adjustment
- Convenient spiral-tech depth adjustment
- Tool-free door to cabinet assembly and removal
- Boss fixing screws are included

Application



Order information

Overlay application

Boss		Screw-on		
Hinge	Spring	Colour	Part no.	
CLIP top	●	NI	75T4100	
● With spring		NI	Nickel plated	

Hinge boss cover cap		
Colour	Part no.	
S CR NI-M	84.4120	
S Black	CR	Chrome plated
NI-M	Matt nickel	

Hinge boss cover cap		
Colour	Part no.	
S CR NI-M	84.4140	
S Black	CR	Chrome plated
NI-M	Matt nickel	

Accessories

BLUMOTION 971A		
Version	Part no.	
In adapter plate for overlay application	971Axxxx	

Hinge arm cover cap			
Print stamp	Logo	Colour	Part no.
Plain	–	NI	70.1553
Stamped	Blum	NI	70.1553.BP

Dual application

Boss		Screw-on		
Hinge	Spring	Colour	Part no.	
CLIP top	●	NI	75T4200	
● With spring		NI	Nickel plated	

Hinge boss cover cap		
Colour	Part no.	
S CR NI-M	84.4120	
S Black	CR	Chrome plated
NI-M	Matt nickel	

Hinge boss cover cap		
Colour	Part no.	
S CR NI-M	84.4140	
S Black	CR	Chrome plated
NI-M	Matt nickel	

Accessories

BLUMOTION 970A		
Version	Part no.	
For drilling	970A1002	

Hinge arm cover cap			
Print stamp	Logo	Colour	Part no.
Plain	–	NI	70.1553
Stamped	Blum	NI	70.1553.BP

Inset application

Boss		Screw-on		
Hinge	Spring	Colour	Part no.	
CLIP top	●	NI	75T4300	
● With spring		NI	Nickel plated	

Hinge boss cover cap		
Colour	Part no.	
S CR NI-M	84.4120	
S Black	CR	Chrome plated
NI-M	Matt nickel	

Hinge boss cover cap		
Colour	Part no.	
S CR NI-M	84.4140	
S Black	CR	Chrome plated
NI-M	Matt nickel	

Accessories

BLUMOTION 970A		
Version	Part no.	
For drilling	970A1002	

Hinge arm cover cap			
Print stamp	Logo	Colour	Part no.
Plain	–	NI	70.1553
Stamped	Blum	NI	70.1553.BP

Accessories – general

TIP-ON for doors		
Version	Spring	Part no.
Extended version	●	956A1006
● With spring		

Glass door hinge

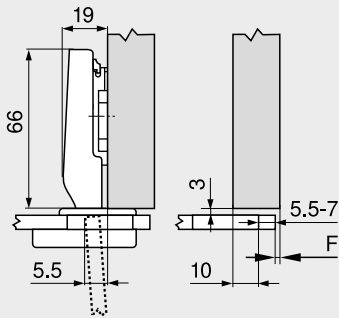
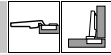
Web code
DQDP5A

Planning

Hinge dimensions and gap calculation based on factory setting (mounting plate spacing = 0 mm)

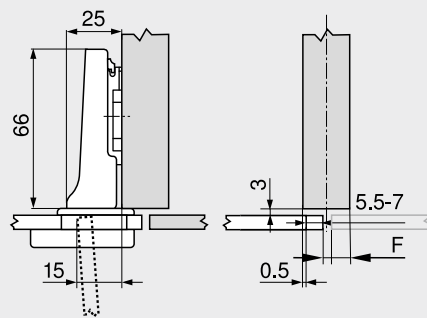
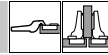
Hinge and front protrusion at full opening angle

Overlay application



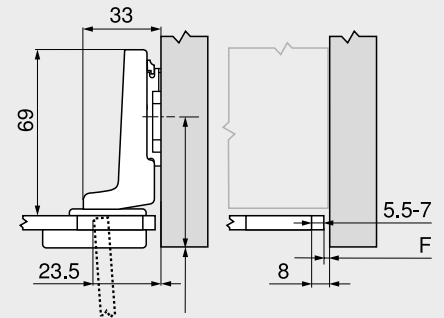
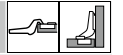
F Gap

Dual application



F Gap

Inset application



F Gap
Move back fixing position of mounting plate by front thickness FD and height of boss cover +3 mm

Drilling distance TB

MD	Front overlay FA (mm)						
	7	8	9	10	11	12	13
0						6	7
3						6	7
6			6	7			
9	6	7					

MD Mounting plate spacing (mm)

MD	Front overlay FA (mm)						
	-2.5	-1.5	-0.5	0.5	1.5	2.5	3.5
0							6
3							6
6				6	7		
9	6	7					

MD Mounting plate spacing (mm)

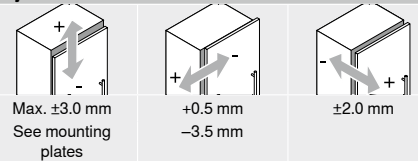
MD	Front overlay FA (mm)						
	-5.5	-5	-4.5	-4	-3.5	-3	-2
0							5.5
3							6
6							6.5
9							7

MD Mounting plate spacing (mm)

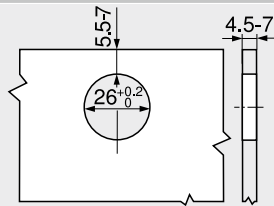
Minimum gap F for fronts with a front radius (R = 1 mm) based on the factory setting

For front thicknesses FD from 4.5 to 7 mm, no gap F is required

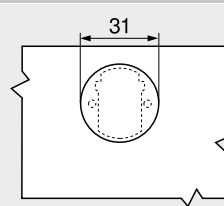
Adjustment



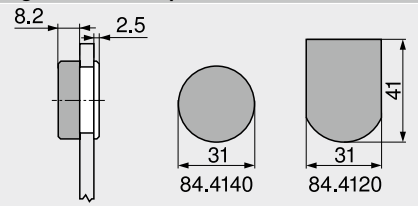
Screw-on



Hinge boss dimensions



Hinge boss cover cap



Reference pages

Overview – CLIP top BLUMOTION CLIP top – hinges	71
Mounting plates	144
Accessories – hinge arm cover cap	151
Accessories – general	153
Overview – BLUMOTION for doors	157
Overview – TIP-ON for doors	171
Overview – assembly devices	591
More technical details	698

Assembly, removal and adjustment

Short URL
www.blum.com/a210

