

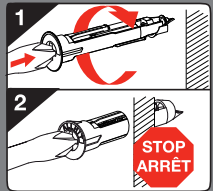
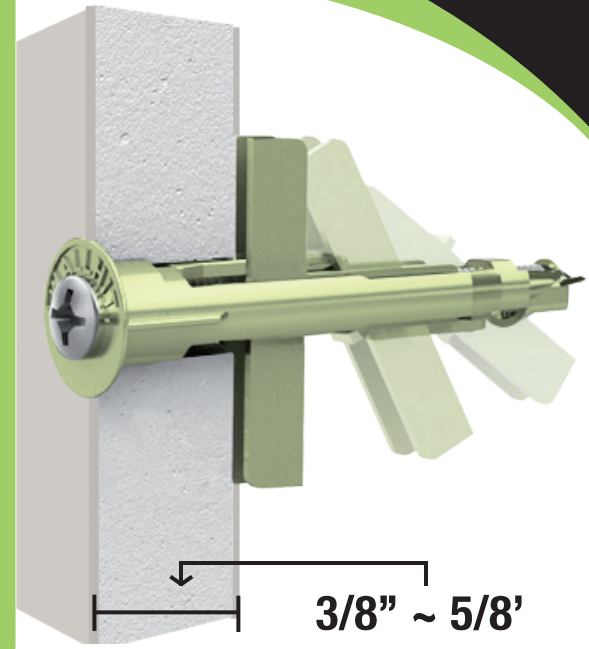
Wall-It™

Drywall self-drilling toggle bolt



No drilling. Quick, very high strength, vibration resistant

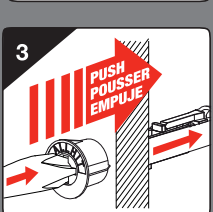
- The only 1 piece self-drilling toggle bolt
- Not only is it very competitive in price but it offers great functional advantages over competition
- The only one that retracts instead of flipping
- Screw engages before action
- Works with insulation
- The only one that is easy to remove



Using drill or screwdriver, drill Wall-it into the wall.



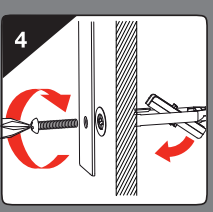
CABINETS



Stop when the anchor gets through the wall.



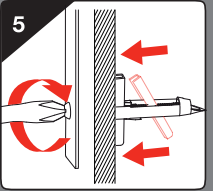
TOWEL BAR



Push flush to the wall.



LIGHTING FIXTURES



Place item over flange. Insert screw and tighten. This will toggle the anchor automatically.



GRAB BAR

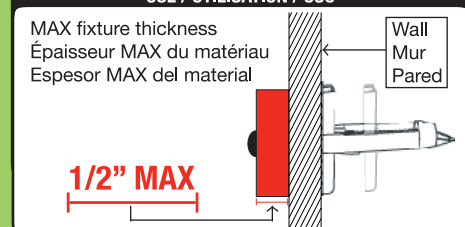
Continued tightening will bring the toggle to the back of the drywall. Tighten until you feel the item snug.

Loads* / Charge* / Carga*

Drywall Gypse Tablaroca	1/2"		
Safe load Poids sécuritaire Carga segura		90 lbs 40 kg	40 lbs 18 kg
Break point Poids de bris Ruptura de peso		180 lbs 81 kg	112 lbs 50 kg

Indoor use only Usage intérieur uniquement Interiores uso			
Hollow Wall Mur Creux Pared Hueca	drywall gypse tablaroca		
	tile céramique cerámica		
	plaster plâtre yeso		

USE / UTILISATION / USO



World patent pending

MADE IN
CHINA

Warranty: RELIABLE responsibility is limited to replacement or refund of the purchase price. RELIABLE cannot be held responsible for failure resulting from misure or defective substrates

VIDEO



*Values obtained in optimal conditions. For drywall, allow an additional safety factor in situations of moisture or vibration.