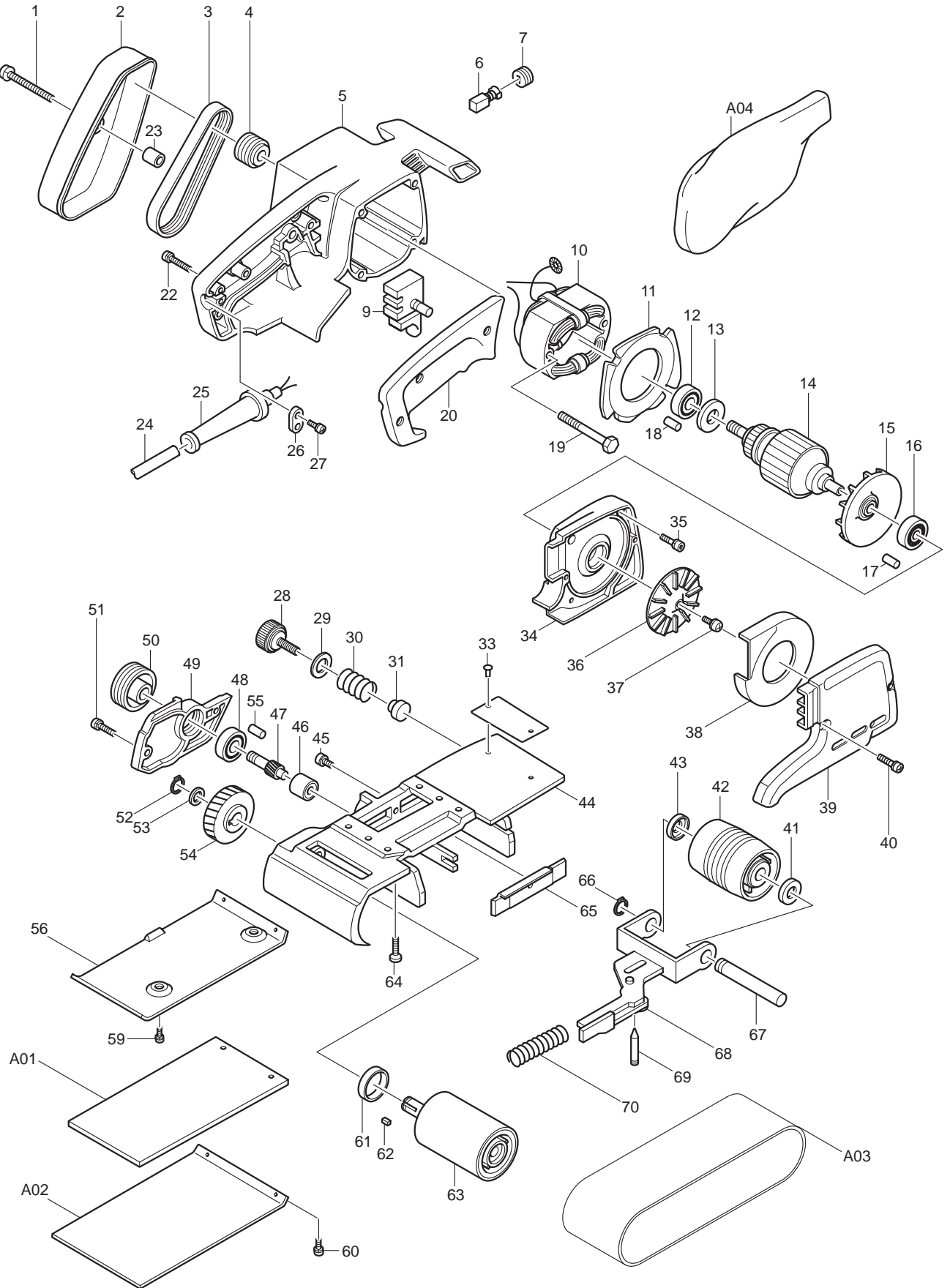




04 - 2010
9924DB
3 X 24" BELT SANDER



Item No	Type	Ref	Part No	Description	Qty	Unit
1			911261-6	PAN HEAD SCREW M5X40	1	PC.
2			343270-1	BELT COVER	1	PC.
3			225008-5	POLY V-BELT 5-304	1	PC.
4			222010-9	V-PULLEY 5-25L	1	PC.
5			156490-6	MOTOR HOUSING	1	PC.
		INC.	643609-1	BRUSH HOLDER	2	PC.
6	1		191945-4	CARBON BRUSH CB-124, 2PCS/SET (W/O ORIGIN)	1	SET
	2		194982-7	CARBON BRUSH CB-124 2PC/SET (W/ ORIGIN)	1	SET
7			643600-9	BRUSH HOLDER CAP 6-10	2	PC.
9			651225-5	SWITCH SGEL215C	1	PC.
10			523122-4	FIELD ASS'Y 115V (OLD# 623122-5)	1	PC.
		INC.	654019-7	RING TERMINAL	2	PC.
		INC.	654502-4	CONNECTOR P-2	2	PC.
11			411322-7	BAFFLE PLATE	1	PC.
12			211066-7	BALL BEARING 6200LLB	1	PC.
13			681623-9	INSULATION WASHER	1	PC.
14			513292-7	ARMATURE ASS'Y 115V (OLD# 613292-8)	1	PC.
		INC.		Item No. 12,13,15,16	1	PC.
15			241809-3	FAN 75	1	PC.
16			211087-9	BALL BEARING 6200DDW	1	PC.
17			263002-9	* RUBBER PIN 4 (OLD)	1	PC.
18			263002-9	RUBBER PIN 4	1	PC.
19			911270-5	PAN HEAD SCREW M5X45	2	PC.
20			411321-9	HANDLE COVER (WITH 3/HEX NUT M4, #931102-0)	1	PC.
22			911158-9	PAN HEAD SCREW M4X30	3	PC.
23			257504-5	SLEEVE 6	1	PC.
24			660023-6	CORD W/PLUG 2P-18-5.0M, SJ	1	PC.
		Opt.	664064-4	CORD W/PLUG 2P-18-2.5M, SJ	1	PC.
25			682502-4	CORD GUARD 8-85	1	PC.
26			687002-9	STRAIN RELIEF	1	PC.
27			911133-5	PAN HEAD SCREW M4X18	2	PC.
28			251815-0	SCREW M6X25	1	PC.
29			253707-9	FLAT WASHER 16	1	PC.
30			231225-7	COMPRESSION SPRING 16	1	PC.
31			411594-4	SHOE	1	PC.
33			953106-2	RIVET 0-5 (OLD)	2	PC.
34	1		152208-3	* DUST COLLECTOR BRACKET (TYPE 1) (W /Item 17)	1	PC.
	2		312810-6	* DUST COLLECTOR BRACKET (TYPE 2) (W/O Item 17)	1	PC.
35			911241-2	PAN HEAD SCREW M5X25	4	PC.
36			241611-4	FAN 74	1	PC.
37			911211-1	PAN HEAD SCREW M5X12	1	PC.
38			343271-9	SEPARATOR	1	PC.
39			312809-1	DUST COLLECTOR COVER	1	PC.
40			911131-9	PAN HEAD SCREW M4X18	2	PC.
41			253922-5	CUP WASHER 12	1	PC.
42			152104-5	TENSION ROLLER COMPLETE	1	PC.
		INC.	214101-0	PLANE BEARING 12	2	PC.
		INC.	413012-8	SPONGE SHEET 30-47	1	PC.
43			253922-5	CUP WASHER 12	1	PC.
44			151189-8	FRAME COMPLETE	1	PC.
		INC.	341494-3	DUST GUIDE	1	PC.
45			911211-1	PAN HEAD SCREW M5X12	1	PC.
46			212003-4	NEEDLE BEARING 810	1	PC.

Item No	Type	Ref	Part No	Description	Qty	Unit
47			221193-2	HELICAL GEAR 10	1	PC.
48			211066-7	BALL BEARING 6200LLB	1	PC.
49			312808-3	* GEAR COVER (OLD# 152206-7 - N/L/A)	1	PC.
50			222011-7	V-PULLEY 5-45	1	PC.
51			911131-9	PAN HEAD SCREW M4X18	2	PC.
52			961052-5	RETAINING RING S-12	1	PC.
53			253312-2	THIN WASHER 12 (*If Requested)	2	PC.
54			221070-8	HELICAL GEAR 48	1	PC.
55			263002-9	* RUBBER PIN 4 (TYPE1) (OLD)	1	PC.
56			341647-4	* BASE PLATE (For Width 3-7/8" Width) (TYPE 2)	1	PC.
59			911111-5	PAN HEAD SCREW M4X10	2	PC.
60			911114-9	PAN HEAD SCREW M4X10	2	PC.
61			253922-5	CUP WASHER 12	1	PC.
62			254202-2	KEY 4	1	PC.
63			151113-1	DRIVING ROLLER COMPLETE	1	PC.
		INC.	325044-2	DRIVING ROLLER SHAFT	1	PC.
64			912227-9	COUNTERSUNK HEAD SCREW M5X18	6	PC.
65			155326-6	EDGE SLIDER	1	PC.
66			961052-5	RETAINING RING S-12	1	PC.
67			325458-5	TENSION ROLLER SHAFT	1	PC.
68			163104-0	TENSION ROLLER ARM	1	PC.
69			323634-5	SUPPORT PIN	1	PC.
70			231033-6	COMPRESSION SPRING 11	1	PC.
100			654037-5	INSULATED EYE TERMINAL FV1.25-M3	4	PC.
101			652008-6	P.H. SCREW M3.5X7	4	PC.
102			654509-0	CLOSED END CONNECTOR 2-SD	1	PC.

ACCESSORIES

- See catalogue or visit www.makita.ca for more optional accessories -

A01			423035-8	* CORK RUBBER PLATE (TYPE 2)	1	PC.
A02			423036-6	* CARBON PLATE 98MM (TYPE 2)	1	PC.
	Opt.		341705-6	* STEEL PLATE (TYPE 2)	1	PC.
A03			742312-8C	3X24" ABRASIVE BELT 10PC/SET	1	PC.
A04			122296-4	DUST BAG ASS'Y	1	PC.
		INC.	410602-8	FASTENER	1	PC.
A05			122299-8	BELT SANDER STAND	1	PC.
		INC.	924316-8	THUMB SCREW M6X15	2	PC.
		INC.	934201-7	WING NUT M5	3	PC.
		INC.	923211-9	COUNTERSUNK SQUARE NECK BOLT M5X12	3	PC.
		INC.	924366-3	THUMB SCREW M6X50	1	PC.
A06			P-80019	DUST NOZZLE	1	PC.

SERVICE CHANGE

1. Change on Base Plate, Cork Rubber Plate, Steel Plate / Graphite Plate

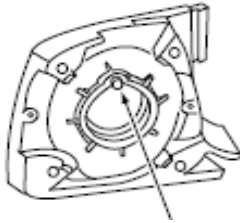
Item No.	Description	Type 1	Type 2
56	Base Plate	345164-6 For Width 3-3/8" (85.725mm)	341647-4 For Width 3-7/8" (98.425mm)
A01	Cork Plate	423021-9A	423035-8
A02	Carbon Graphite Plate / Steel Plate	423028-5 (Carbon Graphite) or 342526-9 (Steel)	423036-6 (Carbon Graphite) or 341705-6 (Steel)
	Serial No.	1001E - 7320E	7321E -

Above parts are completely interchangeable as a set.

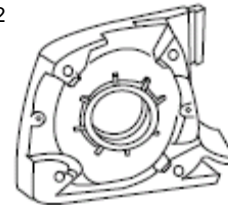
2. Change on Dust Collector Bracket

Item No.	Description	Type 1	Type 2
34	Dust Collector Bracket	152208-3	312810-6
17	Rubber Pin 4	263002-9	-----

Type1



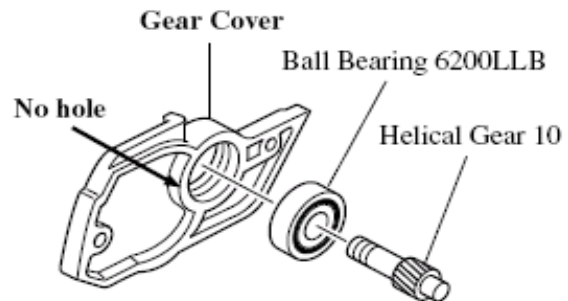
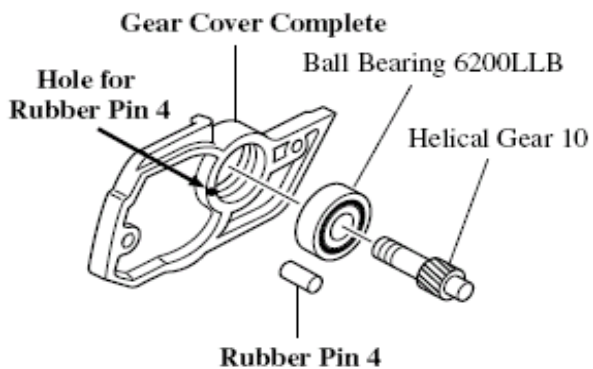
Type2



Rubber pin 4

3. Change on Gear Cover Complete

Item No.	Description	Type 1	Type 2
49	Gear Cover Com	152206-7	312808-3
55	Rubber Pin 4	263002-9	-----



Rubber Pin 4 (a constituent part of Gear Cover Complete) has been eliminated. Consequently, new Gear Cover has no hole for Rubber Pin 4.

Note: Rubber Pin 4 is necessary for the current Gear Cover Complete (Pt. No. 152206-7). When using the current Gear Cover Complete, do not remove the Rubber Pin 4 from it.