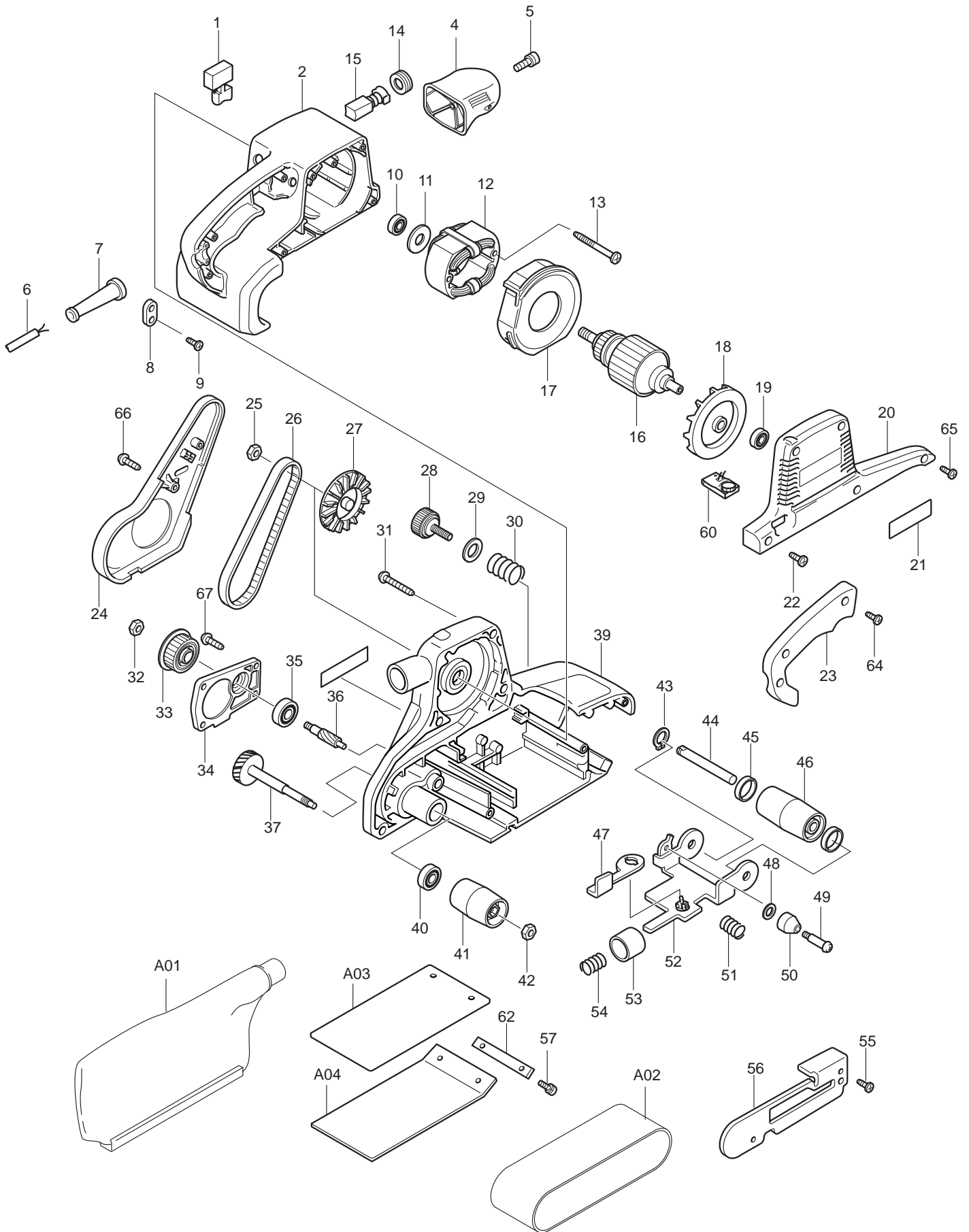




12 - 2010

9404

# 4 X 24" BELT SANDER



| Item No | Type | Ref  | Part No  | Description                                     | Qty | Unit |
|---------|------|------|----------|---|-----|------|
| 1       |      |      | 651284-9 | SWITCH SGEL115CDY-6                             | 1   | PC.  |
| 2       |      |      | 151743-8 | MOTOR HOUSING COMPLETE                          | 1   | PC.  |
|         |      | INC. | 643708-9 | BRUSH HOLDER 5-11                               | 2   | PC.  |
| 4       |      |      | 417049-7 | FRONT GRIP                                      | 1   | PC.  |
| 5       |      |      | 266173-1 | TAPPING SCREW 5X30                              | 1   | PC.  |
| 6       |      |      | 660023-6 | CORD W/PLUG 2P-18-5.0M, SJ                      | 1   | PC.  |
| 7       |      |      | 682503-2 | CORD GUARD 8-90                                 | 1   | PC.  |
| 8       |      |      | 687063-9 | STRAIN RELIEF                                   | 1   | PC.  |
| 9       |      |      | 265995-6 | TAPPING SCREW 4X18                              | 2   | PC.  |
| 10      |      |      | 211088-7 | BALL BEARING 6000DDW                            | 1   | PC.  |
| 11      |      |      | 681649-1 | INSULATION WASHER                               | 1   | PC.  |
| 12      |      |      | 523401-0 | FIELD ASS'Y 115V                                | 1   | PC.  |
|         |      | INC. | 654020-2 | RING TERMINAL                                   | 2   | PC.  |
|         |      | INC. | 654502-4 | CONNECTOR P-2                                   | 2   | PC.  |
| 13      |      |      | 266056-5 | TAPPING SCREW 5X45                              | 2   | PC.  |
| 14      |      |      | 643750-0 | BRUSH HOLDER CAP                                | 2   | PC.  |
| 15      | 1    |      | 191963-2 | CARBON BRUSH CB-303 2PC/SET (W/O ORIGIN) -N/L/A | 1   | SET  |
|         | 2    |      | 194996-6 | CARBON BRUSH CB-303 2PC/SET (W/ORIGIN)          | 1   | SET  |
| 16      |      |      | 513336-3 | ARMATURE ASS'Y 115V                             | 1   | PC.  |
|         |      | INC. |          | Item No. 10,11,18,19                            |     |      |
| 17      |      |      | 417050-2 | BAFFLE PLATE                                    | 1   | PC.  |
| 18      |      |      | 240026-2 | FAN 75  | 1   | PC.  |
| 19      |      |      | 210023-2 | BALL BEARING 627DDW                             | 1   | PC.  |
| 20      |      |      | 417048-9 | MOTOR COVER                                     | 1   | PC.  |
| 21      |      |      | 819001-5 | MAKITA LABEL                                    | 1   | PC.  |
| 22      |      |      | 265995-6 | TAPPING SCREW 4X18                              | 4   | PC.  |
| 23      |      |      | 417051-0 | HANDLE COVER                                    | 1   | PC.  |
| 24      |      |      | 417052-8 | BELT COVER                                      | 1   | PC.  |
| 25      |      |      | 252153-3 | HEX. NUT M6-10                                  | 1   | PC.  |
| 26      |      |      | 225084-9 | SYNCHRO BELT 6-330                              | 1   | PC.  |
| 27      |      |      | 241663-5 | FAN 76 (Includes Pulley - Part No. N/A)         | 1   | PC.  |
| 28      |      |      | 251815-0 | SCREW M6X25                                     | 1   | PC.  |
| 29      |      |      | 253707-9 | FLAT WASHER 16                                  | 1   | PC.  |
| 30      |      |      | 231225-7 | COMPRESSION SPRING 16                           | 1   | PC.  |
| 31      |      |      | 266050-7 | TAPPING SCREW 4X30                              | 5   | PC.  |
| 32      |      |      | 931402-8 | HEX. NUT M8                                     | 1   | PC.  |
| 33      |      |      | 222156-1 | PULLEY 9.5-46.0                                 | 1   | PC.  |
| 34      |      |      | 317273-1 | GEAR COVER                                      | 1   | PC.  |
| 35      |      |      | 211092-6 | BALL BEARING 629DDW                             | 1   | PC.  |
| 36      |      |      | 226520-8 | HELICAL GEAR 10                                 | 1   | PC.  |
| 37      |      |      | 151755-1 | HELICAL GEAR 39 COMPLETE                        | 1   | PC.  |
|         |      | INC. | 226519-3 | HELICAL GEAR 39                                 | 1   | PC.  |
| 39      |      |      | 151748-8 | FRAME COMPLETE                                  | 1   | PC.  |
|         |      | INC. | 212043-2 | NEEDLE BEARING 810                              | 1   | PC.  |
|         |      | INC. | 214101-0 | PLANE BEARING 12                                | 1   | PC.  |
|         |      | INC. | 344828-9 | PLATE   | 1   | PC.  |
| 40      |      |      | 211088-7 | BALL BEARING 6000DDW                            | 1   | PC.  |
| 41      |      |      | 162217-4 | DRIVING ROLLER                                  | 1   | PC.  |
| 42      |      |      | 252154-1 | HEX. NUT M8-13                                  | 1   | PC.  |
| 43      |      |      | 961052-5 | RETAINING RING S-12                             | 1   | PC.  |
| 44      |      |      | 323932-7 | TENSION ROLLER SHAFT                            | 1   | PC.  |
| 45      |      |      | 253922-5 | CUP WASHER 12                                   | 2   | PC.  |

| Item No | Type | Ref  | Part No  | Description                  | Qty | Unit |
|---------|------|------|----------|------------------------------|-----|------|
| 46      |      |      | 151754-3 | TENSION ROLLER COMPLETE      | 1   | PC.  |
|         |      | INC. | 214116-7 | PLANE BEARING 12             | 2   | PC.  |
|         |      | INC. | 421044-1 | SPONGE SHEET 42-47           | 1   | PC.  |
| 47      |      |      | 344823-9 | LEVER                        | 1   | PC.  |
| 48      |      |      | 267731-6 | CUP WASHER 4                 | 1   | PC.  |
| 49      |      |      | 265059-6 | SHOULDER SCREW M4            | 1   | PC.  |
| 50      |      |      | 416417-1 | ROLLER                       | 1   | PC.  |
| 51      |      |      | 233249-9 | COMPRESSION SPRING 7         | 1   | PC.  |
| 52      |      |      | 151745-4 | TENSION ROLLER ARM COMPLETE  | 1   | PC.  |
| 53      |      |      | 267746-3 | CUP WASHER 17                | 1   | PC.  |
| 54      |      |      | 233250-4 | COMPRESSION SPRING 12        | 1   | PC.  |
| 55      |      |      | 266034-5 | TAPPING SCREW CT 4X16        | 2   | PC.  |
| 56      |      |      | 344822-1 | SAFETY COVER                 | 1   | PC.  |
| 57      | 1    |      | 911116-5 | PAN HEAD SCREW M4X12         | 2   | PC.  |
|         | 2    |      | 911117-3 | PAN HEAD SCREW M4X12         | 2   | PC.  |
| 60      |      |      | 631379-4 | CONTROLLER                   | 1   | PC.  |
| 62      |      |      | 344849-1 | STRAP WASHER                 | 1   | PC.  |
| 64      |      |      | 265995-6 | TAPPING SCREW 4X18           | 3   | PC.  |
| 65      |      |      | 266034-5 | TAPPING SCREW CT 4X16        | 1   | PC.  |
| 66      |      |      | 266034-5 | TAPPING SCREW CT 4X16        | 1   | PC.  |
| 67      |      |      | 266034-5 | TAPPING SCREW CT 4X16        | 4   | PC.  |
| D01     |      |      | 652008-6 | PAN HEAD SCREW M3.5X7        | 2   | PC.  |
| D02     |      |      | 654037-5 | INSULATED TERMINAL RBV1.25-3 | 2   | PC.  |
| D03     |      |      | 654509-0 | CONNECTOR 2-SD               | 2   | PC.  |
| D04     |      |      | 654077-3 | INSULATED TERMINAL FV2-M3    | 2   | PC.  |
| D06     |      |      | 654510-5 | INSULATED CONNECTOR 5.5-SD   | 1   | PC.  |
| D07     |      |      | 652257-5 | CLAMP WASHER                 | 2   | PC.  |
| E01     |      |      | 654532-5 | TERMINAL BLOCK 1P            | 1   | PC.  |

### **ACCESSORIES**

- See catalogue or visit [www.makita.ca](http://www.makita.ca) for more optional accessories -

|     |  |      |            |   |   |     |
|-----|--|------|------------|---|---|-----|
| A01 |  |      | 122591-2   | DUST BAG ASS'Y (Includes. Item No. A07)   | 1 | PC. |
|     |  | INC. | 410602-8   | FASTENER                                  | 1 | PC. |
| A02 |  |      | 794133-C-2 | ABRASIVE BELT GRIT 80 2PC/SET             | 1 | PC. |
| A03 |  |      | 423314-4   | CORK RUBBER PLATE                         | 1 | PC. |
| A04 |  |      | 423317-8   | CARBON PLATE                              | 1 | PC. |
| A05 |  |      | 151751-9   | STEEL PLATE COMPLETE W/ CORK RUBBER PLATE | 1 | PC. |
| A06 |  |      | 193055-3   | BELT SANDER STAND SET                     | 1 | SET |
|     |  | INC. | 923211-9   | CAP SQUARE NECK BOLT M5X12                | 3 | PC. |
|     |  | INC. | 941101-4   | FLAT WASHER 5                             | 3 | PC. |
|     |  | INC. | 344859-8   | PRESSURE PLATE                            | 1 | PC. |
|     |  | INC. | 941151-9   | FLAT WASHER 6                             | 3 | PC. |
|     |  | INC. | 942151-2   | SPRING WASHER 6                           | 3 | PC. |
|     |  | INC. | 924366-3   | WING BOLT M6X50                           | 1 | PC. |
|     |  | INC. | 819063-3   | MAKITA LABEL                              | 1 | PC. |
|     |  | INC. | 342920-5   | COVER PLATE                               | 1 | PC. |
|     |  | INC. | 934201-7   | WING NUT M5                               | 3 | PC. |
|     |  | INC. | 924316-8   | WING BOLT M6X15                           | 3 | PC. |
|     |  | INC. | 163236-3   | GUIDE RULE                                | 1 | PC. |
|     |  | INC. | 168344-5   | BASE                                      | 1 | PC. |