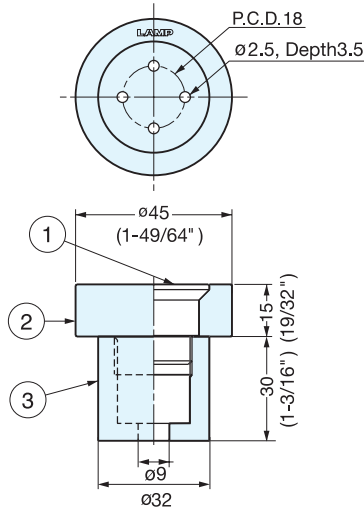


# DOOR STOPPER



## HT-32P

- Door stopper with a clear acrylic bumper.
- Supplied with stainless steel screw 8 × 50, anchor plug and special wrench.



Item No.	Weight (g)	Box (pc)	Carton (pcs)
HT-32P	320	1	30

No.	Part Name	Material	Finish
①	Face Plate	304 Stainless Steel	Satin
②	Bumper	Soft Acrylic	Clear
③	Post	304 Stainless Steel	Satin

# DOOR STOPPER

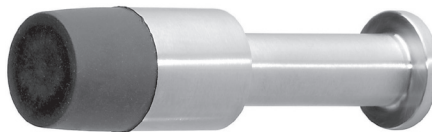


## DSD

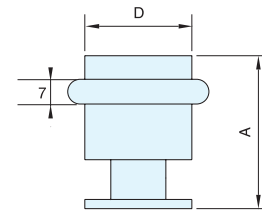
- Supplied with screw and expansion anchor.



DSD-02 Satin (Floor-Mount Type)



DSD-03 Satin (Wall-Mount Type)



DSD-02

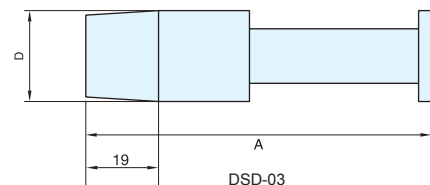


DSD-02 Black (Floor-Mount Type)



DSD-03 Black (Wall-Mount Type)

Item No.	Finish	D	A	Weight (g)	Box (pcs)	Carton (pcs)
DSD-02/S	Satin	20 (25/32")	35 (1-3/8")	68	25	250
DSD-02/S-BL	Black		35 (1-3/8")	50 (1-31/32")		
DSD-03/S	Satin	25 (63/64")	65 (2-9/16")	147	10	100
DSD-03/S-BL	Black		95 (3-47/64")	187		
DSD-03/M	Satin		125 (4-39/64")	229		
DSD-03/M-BL	Black					
DSD-03/L	Satin					
DSD-03/L-BL	Black					



DSD-03

Material	Finish
303/304 Stainless Steel	Satin, Black (BL)