

KUBIC is a new locking glass shelf support freshly designed to match the contemporary aesthetic trends of the market.



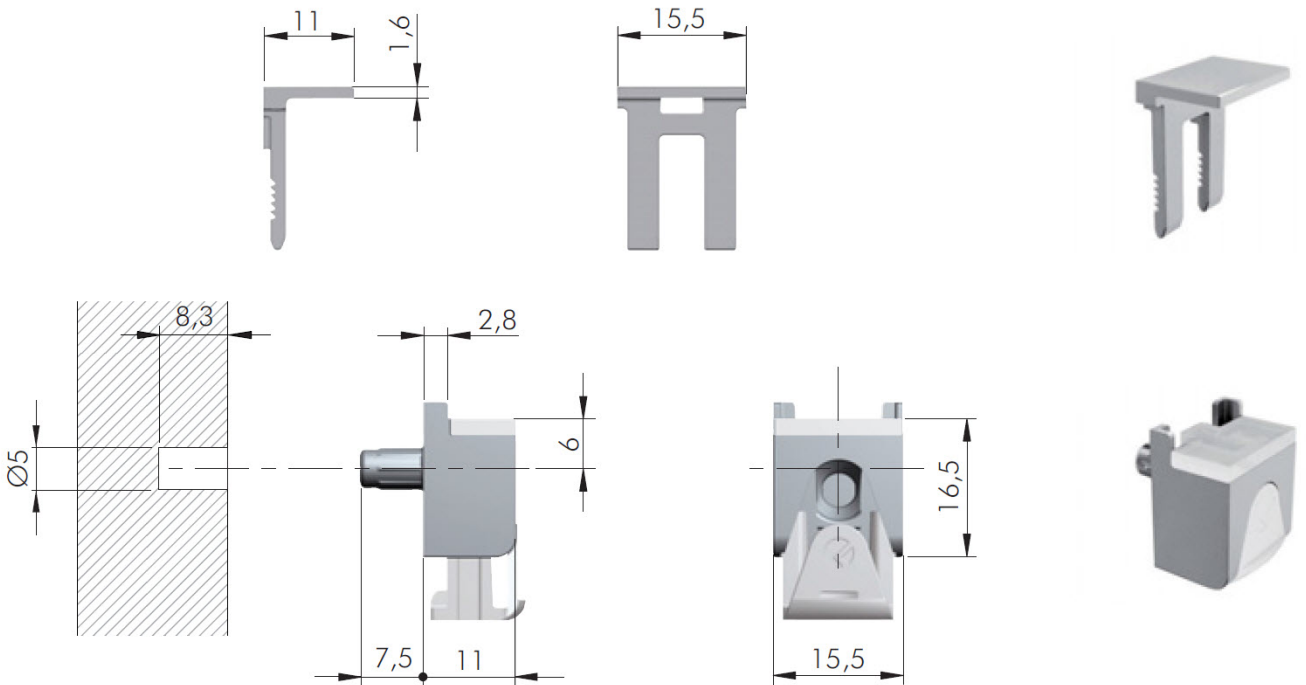
## Advantages/Benefits

- ✓ Designed to guarantee furniture transportation with glass shelves already assembled
- ✓ Locking and unlocking the glass shelf can be carried out manually without any tools.
- ✓ The lower side has a soft rubber element according to current functional and safety standards.
- ✓ The adjustable upper part allows the supports to sustain glass shelves from 4 to 8 mm thick.
- ✓ Zinc alloy material.
- ✓ Exclusive to Richelieu.

Product number	Glass Thickness	Fixing	Finish
CP1112630	4 to 8mm (5/32" to 5/16")	Ø5mm pin	White and grey



## Technical drawing





## Assembly

### ASSEMBLING

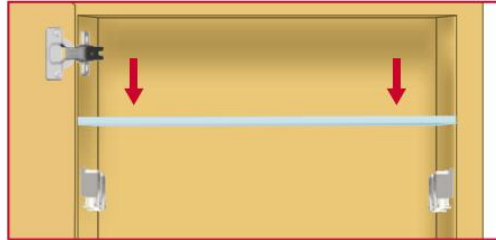
1

INSTALLATION INTO THE CABINET



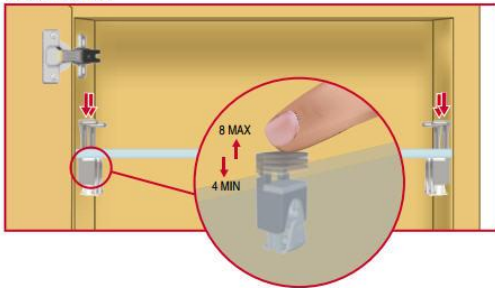
2

INSERT THE GLASS SHELF HORIZONTALLY INTO THE CABINET (ALSO WITH DOOR ALREADY ASSEMBLED).



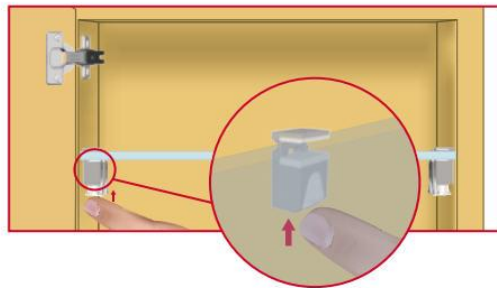
3

PUSH DOWN THE UPPER BRACKET INTO THE MAIN BODY UNTIL IT PERFECTLY FITS THE GLASS THICKNESS



4

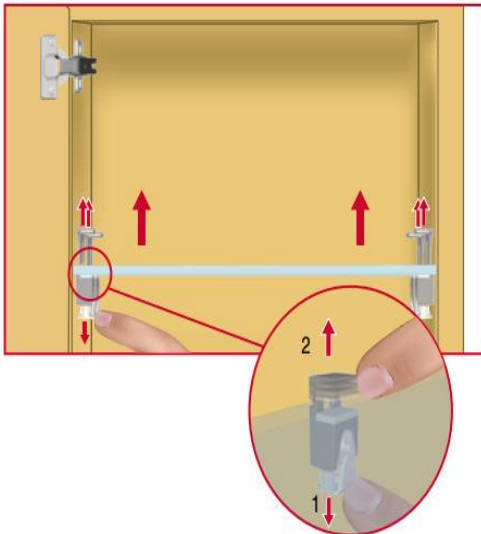
SECURE THE GLASS IN POSITION BY PRESSING UPWARDS THE PLASTIC LOCKING CLIP.



### SHELF ASSEMBLING AND REPOSITIONING

#### SHELF REMOVAL

PRESSING DOWNWARDS THE PLASTIC LOCKING CLIP AND EASE THE SHELF OUT



#### SHELF REPOSITIONING

TO REPOSITION THE SHELF REPEAT OPERATIONS AS SHOWN IN PCS. 2-3-4.

