



Combine sleek design with great functionality with these cobra head shape glass shelf support!

## ➤ Advantages/Benefits

- ✓ The beauty of these shelf supports will enhance the look of your cabinets;
- ✓ Offered in two different ways of fixing, they answer all needs: product #160142180 has a Ø 5.5 mm countersunk hole (for 8 mm to 10 mm glass shelf), product #160143180 has a Ø 5 mm pin (for 5 mm to 6 mm glass shelf).
- ✓ Easy and fast assembling and repositioning.
- ✓ A nylon screw allows to lock the glass shelf safely in place.
- ✓ Zinc alloy material.
- ✓ Exclusive to Richelieu.

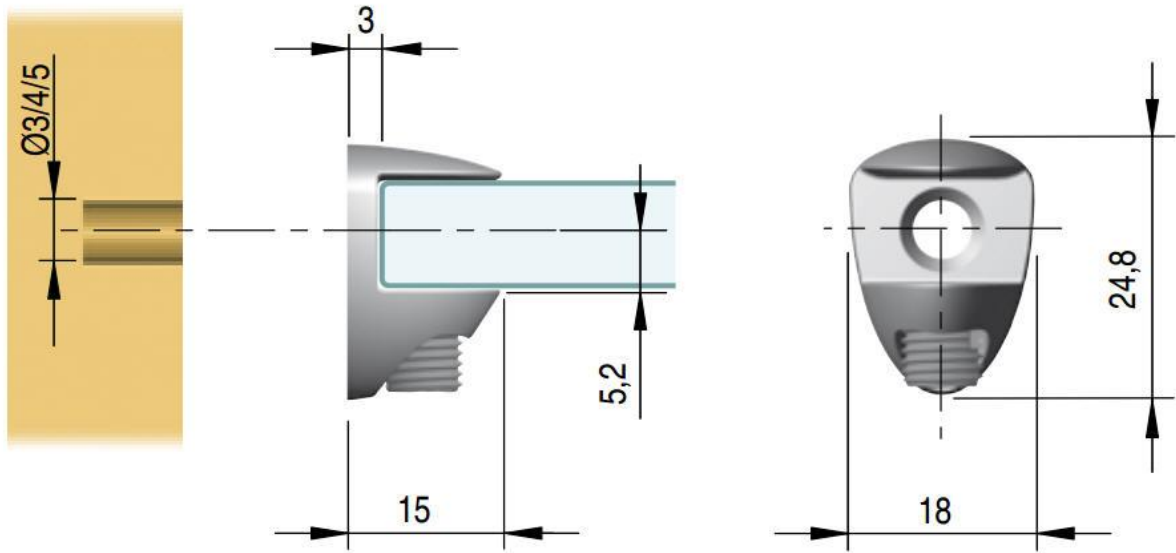


Product Code	Glass Thickness	Fixing	Finish
160142180	8 to 10mm (5/16" to 3/8")	Ø 5.5 mm countersunk hole	Nickel
160143180	5 to 6mm (3/16" to 1/4")	Ø 5 mm pin	Nickel

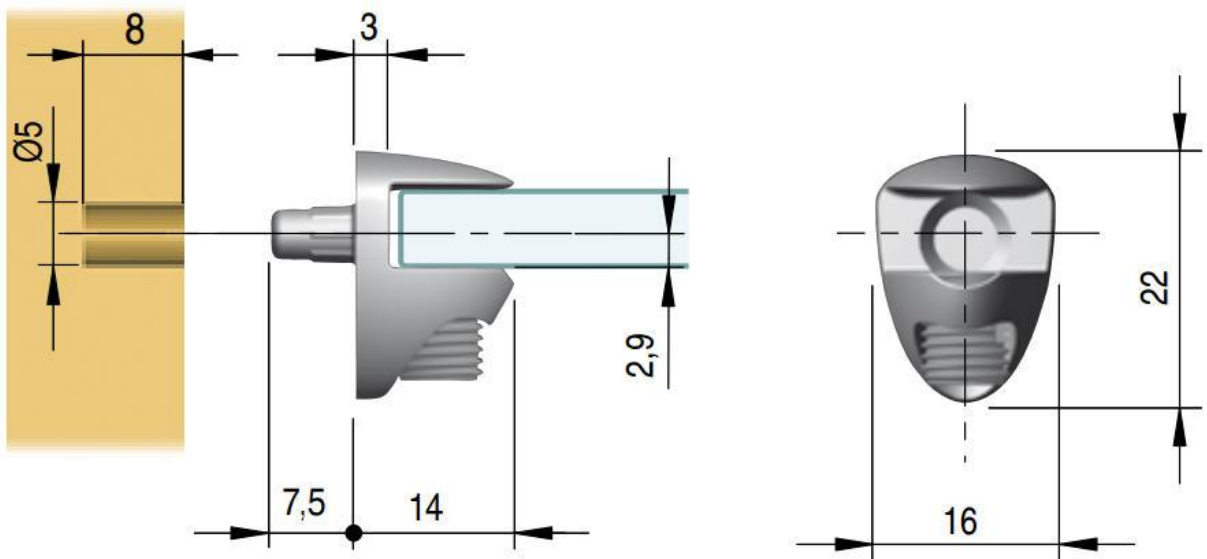


Technical drawing & Assembly

### 160142180



### 160143180



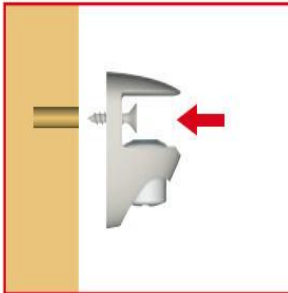


## Assembly

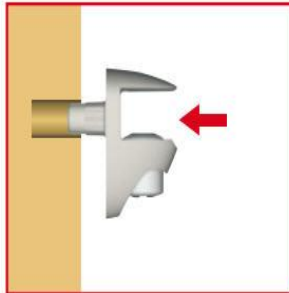
### ASSEMBLING

1

ASSEMBLING WITH SCREW FIXING

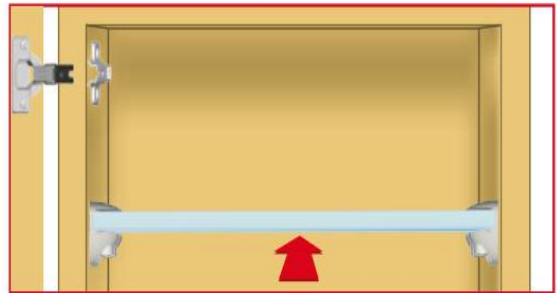


ASSEMBLING WITH SMOOTH PIN



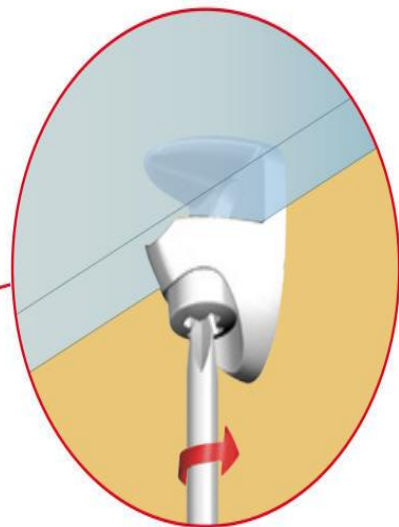
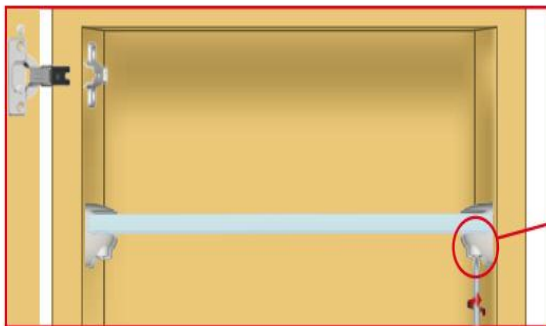
2

SLIDE THE GLASS HORIZONTALLY INTO THE COBRA "U" SOCKET BEFORE ASSEMBLING THE DOOR



3

SECURE THE GLASS IN POSITION BY SCREWING CLOCKWISE THE NYLON LOCKING INSERT UNTIL THE GLASS IS SAFELY LOCKED AND ASSEMBLY THE DOOR.



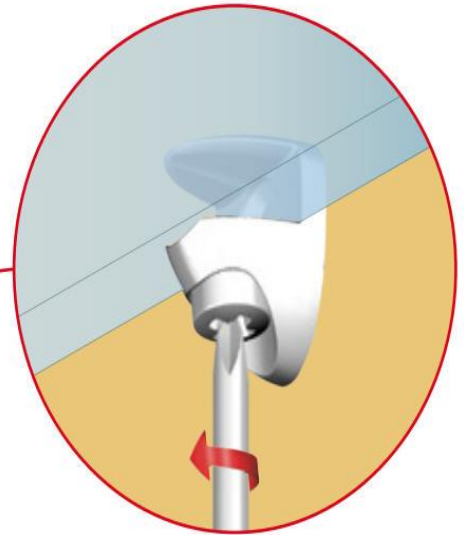
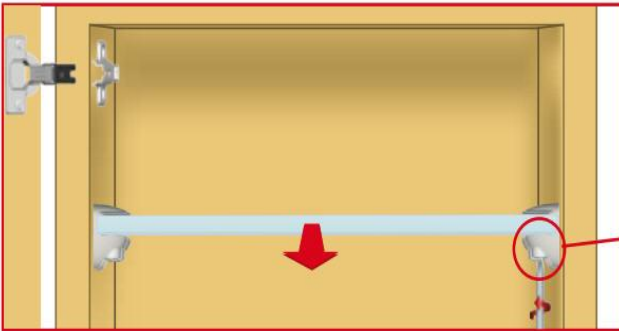


## Assembly

### SHELF ASSEMBLING AND REPOSITIONING

#### SHELF REMOVAL

REMOVE THE DOOR FIRST AND UNSCREW THE NYLON LOCKING INSERT ANTICLOCKWISE UNTIL YOU CAN EASE THE GLASS OUT.



#### SHELF REPOSITIONING

TO REPOSITION THE SHELF REPEAT OPERATIONS AS SHOWN IN PCS. 2-3.

