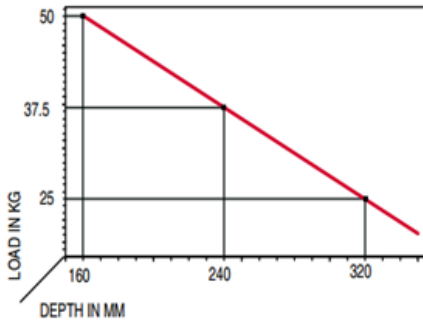


Usable for both glass and wood shelves, this versatile product combines wall bracket and shelf support.

COMBINATION SHELF LOAD AND SHELF DEPTH  
(The figures refer to 1 shelf support)



## Advantages/Benefits

- ✓ Capable of supporting a 25 kg load each (shelf weight included) for a shelf 320mm deep.
- ✓ Inclination adjustment possible (up to 3mm).
- ✓ The removable upper part gives the support flexibility: glass shelves thickness goes from 7mm to 19mm, while you can install wood shelves from 18mm to 41mm thick.
- ✓ Can be fixed to various material: cement wall, plaster boards, wood panels, etc.
- ✓ Its satin nickel finish will add a touch of elegance to your room.
- ✓ A locking screw keeps the shelf firmly in place.
- ✓ Zinc alloy material.
- ✓ Exclusive to Richelieu.

### Product number

161022185

### Description

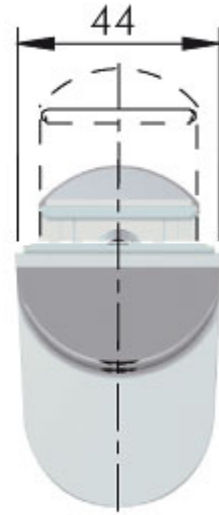
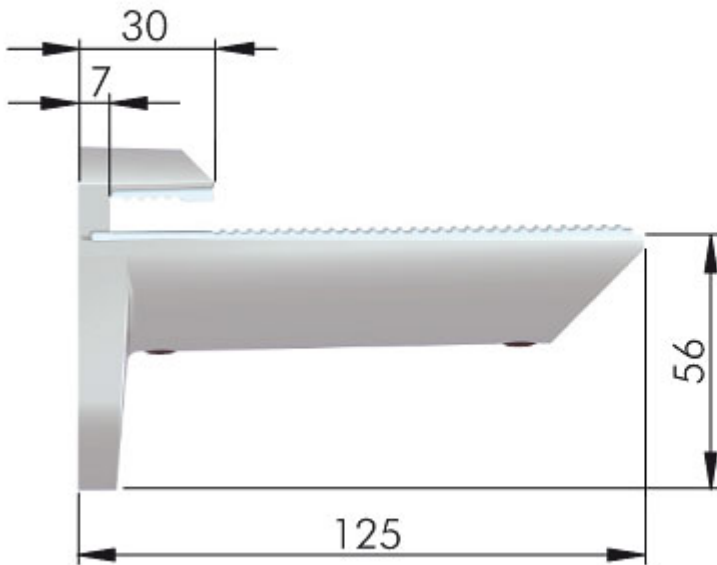
For glass shelves 7 mm to 19 mm thick and wood shelves 18 mm to 41 mm thick.

### Finish

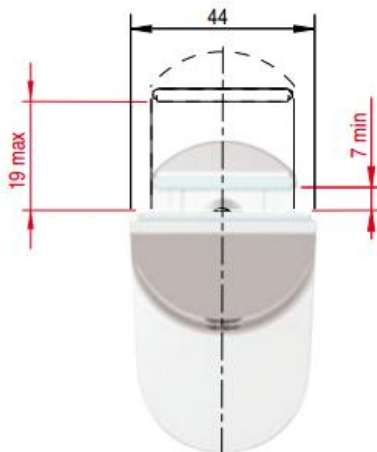
Satin Nickel



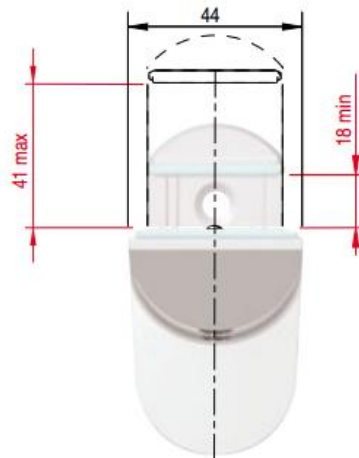
Technical drawing & Assembly



For glass shelves

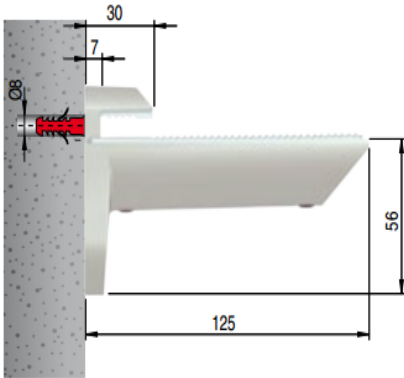


For wood shelves





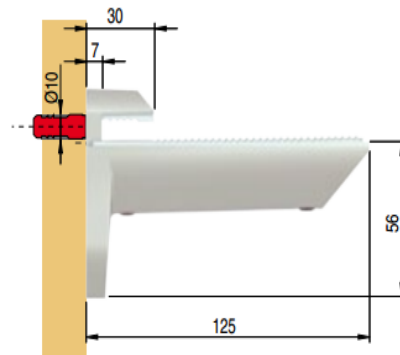
## FIXING TO CEMENT WALL WITH RAWLPLUG



It is the responsibility of the customer:

- to ensure that the wall is of a suitable quality to hold the shelf fixing in place.
- to use the right hardware fitting as required.

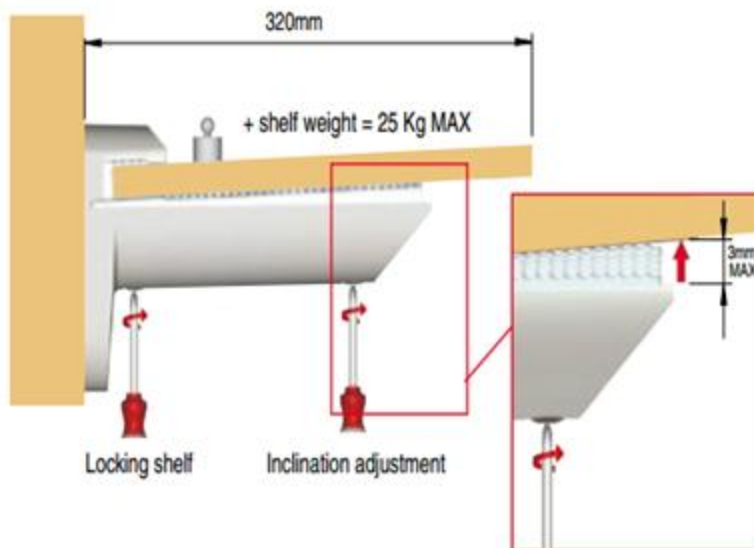
## FIXING TO 18MM THICK PANEL WITH SPECIAL SPREADING DOWEL AND BOLT



It is the responsibility of the customer:

- to ensure that the wall is of a suitable quality to hold the shelf fixing in place.
- to use the right hardware fitting as required.

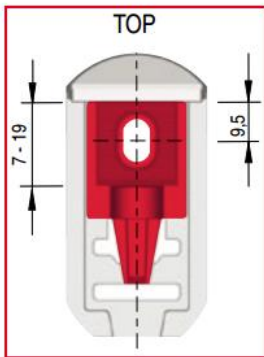
## ADJUSTMENTS



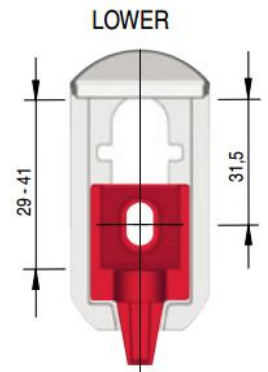
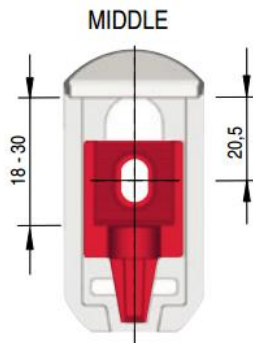


## Ridge plate position

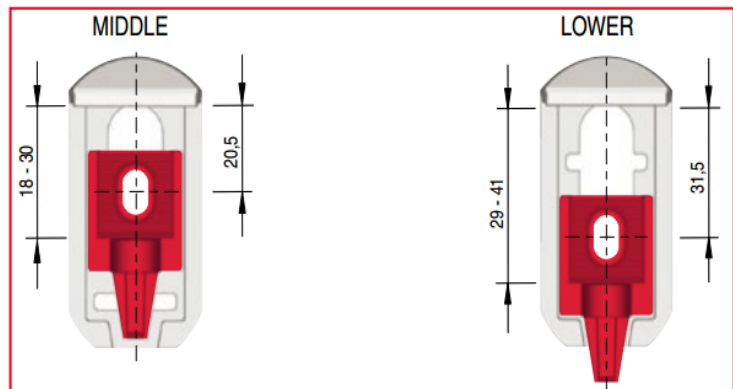
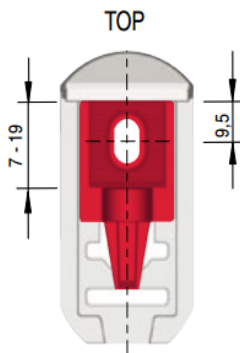
### POSITION OF THE RIDGE PLATE FOR GLASS SHELVES



Position of the ridge plate in the top wall bracket gauge.



### POSITION OF THE RIDGE PLATE FOR WOOD SHELVES



Position of the ridge plate in the middle/lower wall bracket gauge, according to the shelf thickness.