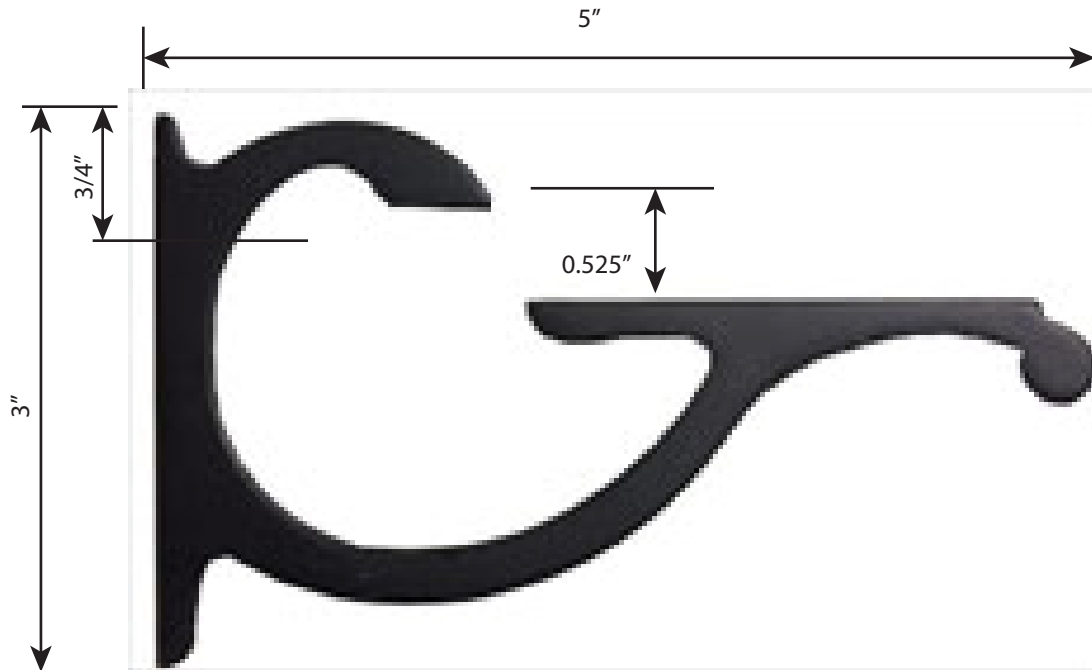





Designer Series Shelf Bracket




MATERIAL: Solid extruded aluminum
FINISH: Satin black powdercoat
THICKNESS: 3/4"
SCREW HOLE 0.260" dia.
COUNTERSINK: 0.413"dia x 0.23" deep
FASTNER INCLUDED: #10x1-3/4" pan head phillips

INSTRUCTIONS


 **1) Choose locations of Shelf Clips**, preferably on wall studs. (see tips on finding studs) and make level marks for screws. (40" max. span between brackets). Clips should be at least 1.5" to 2" in from each end.

2) Install Shelf Clips to wall.
ON STUD: Pre-drill 1/8" hole, hold Clip in place as shown & screw in fastener supplied until tight to wall. (Properly installed: supports up to 80 lbs.)
HOLLOW WALL: Use 3/16"x3" toggle bolt through Shelf Clip, install & tighten until fittings are tight to wall. (Properly installed: supports up to 60 lbs.)
CEMENT OR OTHER: Use proper fasteners.



3) Install Shelf. Check thickness of shelf. Your brackets are either for 3/8"-1/2" or 5/8"-3/4". They are pre set for the thicker capacity. If a thinner shelf is being used, peel mounting tape and carefully put plastic tap supplied in place (plastic side up-mounting tape down)

Peel mounting tape, put shelf in place- but tilted up so shelf does not come in contact with mounting tape. Make sure shelf is centered and with shelf all the way back, lower front so back of shelf comes in contact with mounting tape.



PARTS INCLUDED:
•Pair of Curve Clips
•2 Screws (for installation on stud)
•Plastic Inserts

PERFECT SHELVING SOLUTION:
DISPLAY BOOKS
KITCHEN & BATH ENTERTAINMENT EQUIPMENT
CLOSETS & LAUNDRY ROOM OFFICE ETC.

