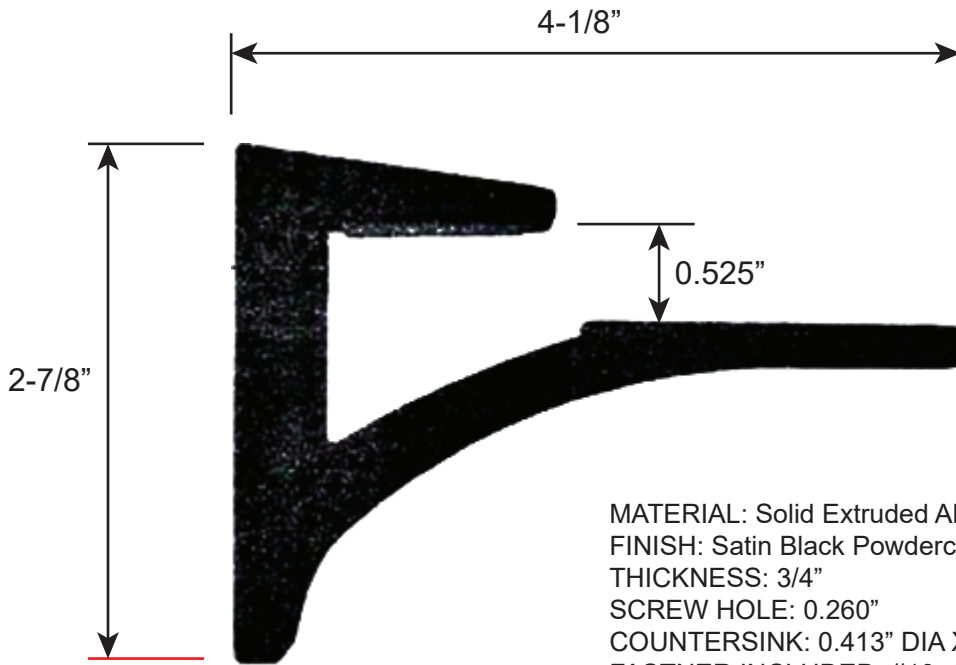


# Modern Style Shelf Bracket

GMSHELFSC5BL | GMSHELFSC5CH



MATERIAL: Solid Extruded Aluminum  
FINISH: Satin Black Powdercoat  
THICKNESS: 3/4"  
SCREW HOLE: 0.260"  
COUNTERSINK: 0.413" DIA X 0.23" deep  
FASTNER INCLUDED: #10x1-3/4" pan head phillips

## INSTRUCTIONS



**1) Choose locations of Shelf Clips**, preferably on wall studs. (see tips on finding studs) and make level marks for screws. (40" max. span between brackets). Clips should be at least 1 1/2"~2" in from each end.

### 2) Install Shelf Clips to wall.

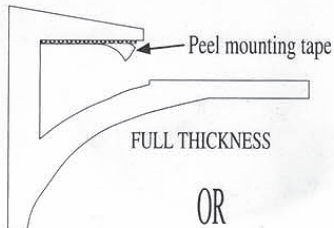
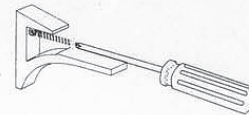
**ON STUD:** Pre drill 1/8" hole, hold Clip in place as shown & screw in fastener supplied until tight to wall.

(Properly installed: up to 80 lb. capacity)

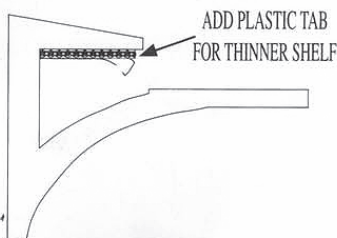
**HOLLOW WALL:** Use 3/16" x 3" toggle bolt. Put toggle bolt through Shelf Clip, install & tighten until fittings are tight to wall. (Properly installed: up to 60lb. capacity)

**CEMENT OR OTHER:** Use proper fasteners.

(Properly installed: up to 80 lb. capacity)



OR



**3) Install shelf.** Check thickness of shelf. Your brackets are either for 3/8"~ 1/2" or 5/8"~ 3/4". They are pre set for the thicker capacity. If a thinner shelf is being used, peel mounting tape and carefully put plastic tab supplied in place (plastic side up - mounting tape down).

Peel mounting tape, put shelf in place but tilted up so shelf does not come in contact with mounting tape. Make sure shelf is centered and with shelf all the way back, lower front so back of shelf comes into contact with mounting tape.

