

7300

Surface Applied
Door Closers

Technical Details and Specifications 3
 How to Order. 4

Technical Drawings

Regular x round form arm 5
 Regular x friction hold open 5
 Regular x cushion IS arm 6
 Regular x spring stop IS arm 6
 Top jamb x round form arm 7
 Top jamb x friction hold open 7
 Top jamb x cushion IS arm 8
 Top jamb x spring stop IS arm 8
 Parallel arm x round form arm 9
 Parallel arm x friction hold open 9
 Heavy-duty super parallel arm 10
 Heavy-duty parallel arm door saver x cushion 10
 Heavy-duty parallel arm x spring door saver 11
 Track - pull side door mounted 11
 Jamb track - pull side frame mounted 12
 Push track - push side soffit mounted 12
 Flush track - push side door mounted x backplate 13

Accessories

Round form arm (8 mm) 13
 Round form arm (10 mm) 13
 Round form arm (secured elbow) (8 mm rod) 13
 Regular arm shoe and rod 13
 Narrow profile arm (8 mm) 14
 Narrow profile arm (10 mm) 14
 Friction hold open arm 14
 Cushion IS arm 14
 Spring stop IS arm 15
 Super parallel arm 15
 Door saver arm 15
 Spring stop door saver arm 15
 Cushion IS/spring stop IS arm accessories 15
 Track arm 16
 Push side track arm 16
 BP73 backplate 16
 BP86 backplate 16
 BP86T backplate 16
 BP600C conversion plate 16
 DP73 drop plate 16



7300 Series with AR arm

DP86 drop plate 17
 AB73 angle bracket 17
 AB86 angle bracket 17
 P86 Parallel arm bracket 17
 Parallel hold open bracket 17
 Parallel flush transom bracket 17
 Narrow frame bracket 17
 Flush transom bracket 17
 Mortised jamb bracket 18
 Parallel drop bracket 18
 Blade stop spacer 18
 Heavy-duty blade stop spacer 18
 Slim plastic cover 18
 Sex nuts 18



The quality management system at the Reamstown, PA facility is certified to ISO-9001:2008.*



*DORMA Door Controls Inc., dba: DORMA Architectural Hardware

The 7300 Series closers offer modern styling for a new era of safe and reliable door control.

The 7300 Series offers a compact design and is available in an assortment of sprayed finishes to complement any opening's decor. These features, along with numerous installation options and fixed spring sizes, make this closer an ideal solution in a variety of applications.



7300 Series with A08 arm

Technical Details:

- 7300 Series, fixed spring sizes 2–5.
- Non-handed for regular, top jamb, and parallel arm applications.
- Quick and easy to install.
- Compact design.
- Two noncritical adjusting valves (sweep and latch) work to provide consistent closing speeds under a wide variety of temperatures.
- Adjustable backcheck provides cushioning when the door is abusively opened.
- The 7300 Series is certified to the requirements of ANSI/BHMA A156.4 Grade 1.
- Available with optional self-drilling screws for steel door and frame applications (DPK86).
- Available with optional self-tapping screws for aluminum door and frame applications (TPK86).

Features	7302–7305
Fixed spring sizes	2, 3, 4, 5
Non-handed	•
Parallel arm bracket	◦
Controlled closing with two adjustment valves	180°–10° 10°–0°
Backcheck	•
Hold open	◦
Self-drilling screws (DPK)	◦
Self-tapping screws (TPK)	◦
Tamper-resistant TORX screws	◦
Slim plastic cover	◦

• yes - no ◦ optional

Certification:

- ANSI/BHMA A156.4 Grade 1 certified.
- UL and CUL listed.
- Meets UL10C for positive pressure.
- CSFM approved.

Specification:

All closers shall be DORMA 7300 Series hydraulic surface applied rack and pinion closers. The closer has two independent valves to separately control sweep and latch closing speeds and provide constant speeds when temperatures change. Standard with backcheck to provide cushioning effect in opening. Standard with special rust inhibitor (SRI) for added protection.

Optional Specification:

All 7300 closers to have slim plastic cover (COV). Closers to have arm with a selective single point hold open between 80°–170° for regular mount (FH) and 70°–175° for parallel arm mount (specify FHP). All 7300 closers to have parallel arm bracket for non-hold open parallel arm applications (P86). All closers to have sex nuts with machine screws for 1-3/4" door (SNB1) or 1-3/8" door (SNB2). Closers to have self-drilling screws for steel doors and frames (DPK86). Closers to have self-tapping screws for aluminum doors and frames (TPK86). Closers to have TORX security for all exposed fasteners (TX86).

Finishes:

Standard Sprayed Finishes:

Aluminum: 689.
Bronze: 691 (Dull), 690 (Statuary), or 695 (Dark Duranodic).
Gold: 696.
Black: 693.

Optional DORMA Custom Color or Designer Color Finishes:
Contact Customer Service.

Warranty: For details, refer to **Limited Warranty Policy** in the current DORMA Price List.

How to Order 7300 Series

		Spring Size		Cover		Finish									
Series	7300	05 — ANSI Size 5	04 — ANSI Size 4	03 — ANSI Size 3	02 — ANSI Size 2	COV	Slim Cover	PNT — Special Sprayed Finish (must specify)	696 — Gold	695 — Dark Duranodic Bronze	693 — Black	691 — Dull Bronze	690 — Statuary Bronze	689 — Aluminum	600 — Primed
	73	04	ARP			COMBO		689							
Round Arm Non-Hold Open, Tri-Pack			ARP			COMBO									
Round Arm Non-Hold Open, TJ 4"-8" Reveal			ARJ			SNB1									
Round Arm Non-Hold Open, TJ 0"-4" Reveal			AR			SNB2									
Round Arm Secure Non-Hold Open, Tri-Pack			AO8P			DPK86									
Round Arm Secure Non-Hold Open, Reg./TJ 0"-4" Reveal			AO8			CMBDPK									
Friction Hold Open, Tri-Pack			FHP			TPK86									
Friction Hold Open, TJ 4"-8" Reveal			FHJ			CMBTPK									
Friction Hold Open, Reg./TJ 0"-4" Reveal			FH			TX86									
Door Saver Parallel Cushion Arm			DS			AWS									
Door Saver Parallel Cushion Arm Thumb Turn Hold Open			DST			METRIC									
Door Saver Parallel Cushion Arm Hex Key Turn Hold Open			DSK												
Spring Door Saver Parallel Dead Stop			SDS												
Spring DS Parallel Dead Stop Thumb Turn Hold Open			SDST												
Integra Cushion Arm Reg./TJ 0"-3-1/2" Reveal			IS												
			ISH												
Spring Integra Stop Reg./TJ 0"-3-1/2" Reveal			SIS												
			SISH												
Integra Cushion Arm Top Jamb 3-1/2"-6-1/2" Reveal			ISJ												
			ISJH												
Spring Integra Stop Top Jamb 3-1/2"-6-1/2" Reveal			SISJ												
			SISJH												
Super Parallel Arm			SPA												
Super Parallel Arm Thumb Turn Hold Open			SPAT												
Super Parallel Arm Key Hold Open			SPAK												
Track, Pull Side Door Mounted			T												
Jamb Track, Pull Side Frame Face Mounted			JT												
Push Track, Push Side Soffit Mounted			PT												
Flush Track, Push Side Transom Mounted			FT												
Track Hold Open, Pull Side Door Mounted			TH												
			JTH												
Push Track Hold Open, Push Side Soffit Mounted			PTH												
			FTH												

NOTES:

- All combinations of features and options are not available for all models.
- To simplify initial installation, a range of back plates (BPxx), drop plates (DPxx), brackets, and spacers are available. Refer to **Accessories** section for details.

Technical Drawing (Symbols and Notes)

- – Recommended application
- N/A – Not applicable/application not recommended

Regular × Round Form Arm

7302–7305 AR
7302–7305 A08

4-1/2" x 4-1/2" Butt Hinges

Minimum door rail for mounting closer 2-1/2".
Minimum door rail to bottom of optional slim plastic cover 2-5/8".

(Right Hand)

Size Selection Chart

CLOSER	INTERIOR/ EXTERIOR	DOOR WIDTH					APPROX. MAXIMUM OPENING	APPROX. BACKCHECK
		2'-0" min.	2'-6" max.	3'-0" max.	3'-6" max.	4'-0" max.		
7302–7305	INTERIOR	N/A	7302	7303	7304	7305	180°	65°–180°
	EXTERIOR	7302	7303	7304	7305	N/A		

Regular × Friction Hold Open

7302–7305 FH

4-1/2" x 4-1/2" Butt Hinges

Minimum door rail for mounting closer 2-5/8".
Minimum door rail to bottom of optional slim plastic cover 2-3/4".

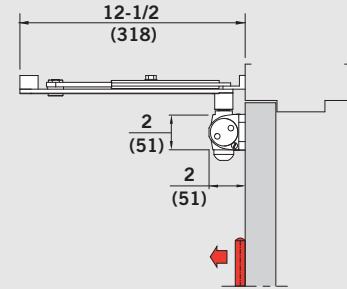
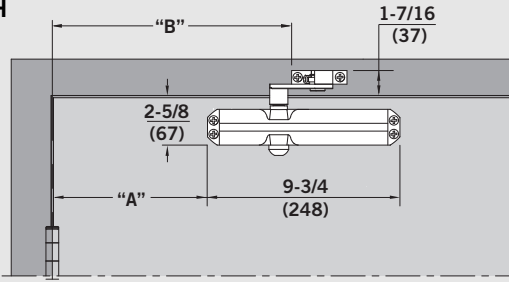
(Right Hand)

Size Selection Chart

CLOSER	INTERIOR/ EXTERIOR	DOOR WIDTH					TEMPLATE REFERENCE	DIM "A"	DIM "B"	APPROX. MAXIMUM OPENING	APPROX. BACKCHECK	MIN. HOLD OPEN	MAX. HOLD OPEN
		2'-0" min.	2'-6" max.	3'-0" max.	3'-6" max.	4'-0" max.							
7302–7305	INTERIOR	N/A	7302	7303	7304	7305	TO 100°	7-1/8" (181)	12-5/8" (321)	110°	65°–110°	80°	110°
	EXTERIOR	7302	7303	7304	7305	N/A	TO 120°	6-1/8" (155)	11-5/8" (295)	125°	70°–125°	90°	125°
							OVER 120°	3-5/8" (92)	9-1/8" (232)	180°	85°–180°	100°	170°

Regular x Cushion IS Arm

7302-7305 IS/ISH



4-1/2" x 4-1/2" Butt Hinges

Minimum door rail for mounting closer 2".
Minimum door rail to bottom of slim plastic cover 2-5/8".



Size Selection Chart

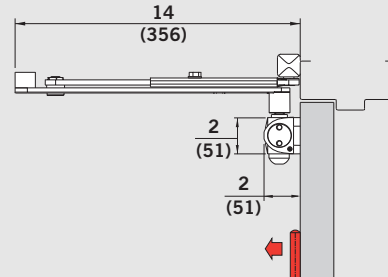
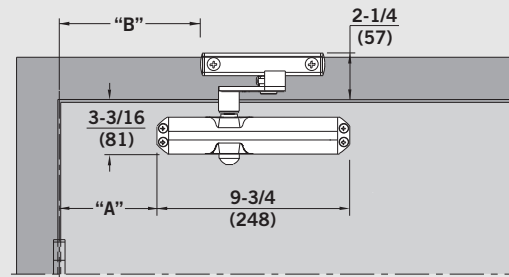
CLOSER	INTERIOR/ EXTERIOR	DOOR WIDTH				
		2'-0" min.	2'-6" max.	3'-0" max.	3'-6" max.	4'-0" max.
7302-7305	INTERIOR	N/A	7302	7303	7304	7305
	EXTERIOR	7302	7303	7304	7305	N/A

TEMPLATE REFERENCE	DIM "A"	DIM "B"	*CUSHION/ HOLD OPEN	APPROX. BACKCHECK
85°	7-11/16" (195)	13-7/8" (352)	85°	55°-85°
90°	7" (178)	13-1/2" (343)	90°	60°-90°
95°	6-3/16" (157)	13-1/4" (337)	95°	65°-95°
100°	6-1/8" (156)	12-5/8" (321)	100°	70°-100°
105°	5-11/16" (144)	12-1/4" (311)	105°	75°-105°
110°	5-1/4" (133)	11-7/8" (302)	110°	75°-110°

* Hold Open is approximately 5°-7° less than the cushion angle listed in the chart.

Regular x Spring Stop IS Arm

7302-7305 S-IS/S-ISH



4-1/2" x 4-1/2" Butt Hinges

Minimum door rail for mounting closer 2-1/2".
Minimum door rail to bottom of slim plastic cover 2-5/8".



Size Selection Chart

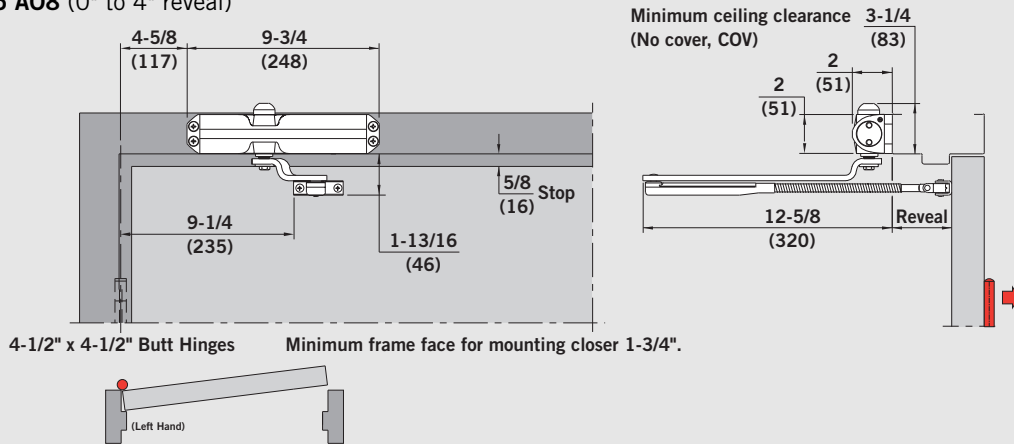
CLOSER	INTERIOR/ EXTERIOR	DOOR WIDTH				
		2'-0" min.	2'-6" max.	3'-0" max.	3'-6" max.	4'-0" max.
7302-7305	INTERIOR	N/A	7302	7303	7304	7305
	EXTERIOR	7302	7303	7304	7305	N/A

TEMPLATE REFERENCE	DIM "A"	DIM "B"	*DEAD STOP/ HOLD OPEN	APPROX. BACKCHECK
85°	9" (229)	11-9/16" (294)	85°	55°-85°
90°	8-1/2" (215)	11-1/16" (281)	90°	60°-90°
100°	7-1/2" (191)	10-1/16" (256)	100°	70°-100°
110°	6-3/4" (172)	9-5/16" (237)	110°	75°-110°

* Hold Open is approximately 5°-7° less than the dead stop angle listed in the chart.

Top Jamb × Round Form Arm

7302–7305 ARJ (4" to 8" reveal)
 7302–7305 AR (0" to 4" reveal)
 7302–7305 A08 (0" to 4" reveal)



Size Selection Chart

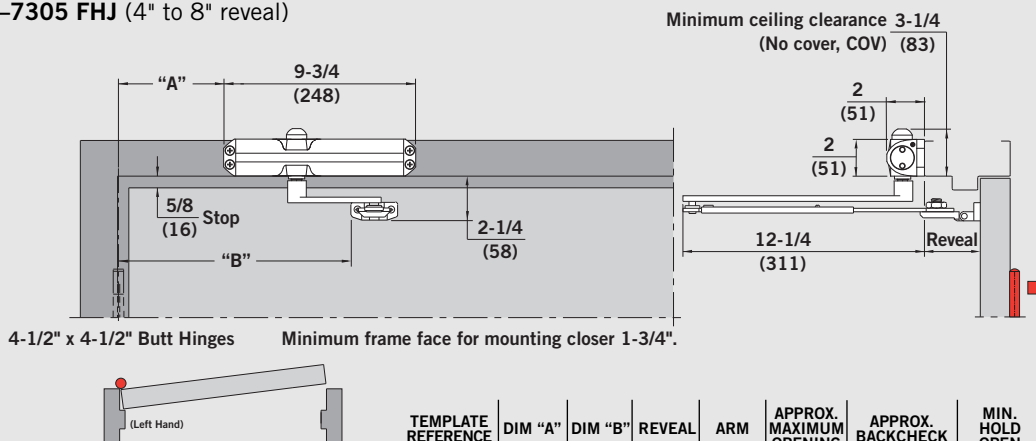
CLOSER	INTERIOR/ EXTERIOR	DOOR WIDTH				
		2'-0" min.	2'-6" max.	3'-0" max.	3'-6" max.	4'-0" max.
7302–7305	INTERIOR	N/A	7302	7303	7304	7305
	EXTERIOR	7302	7303	7304	7305	N/A

TEMPLATE REFERENCE	REVEAL	ARM	APPROX. MAXIMUM OPENING	APPROX. BACKCHECK
TO 180°	0"	AR	180°	70°–180°
	4"	AR	180°	75°–180°
	4"	ARJ	180°	75°–180°
	8"	ARJ	165°	80°–165°

Note: Bold type shows supplied arm

Top Jamb × Friction Hold Open

7302–7305 FHJ (4" to 8" reveal)



Size Selection Chart

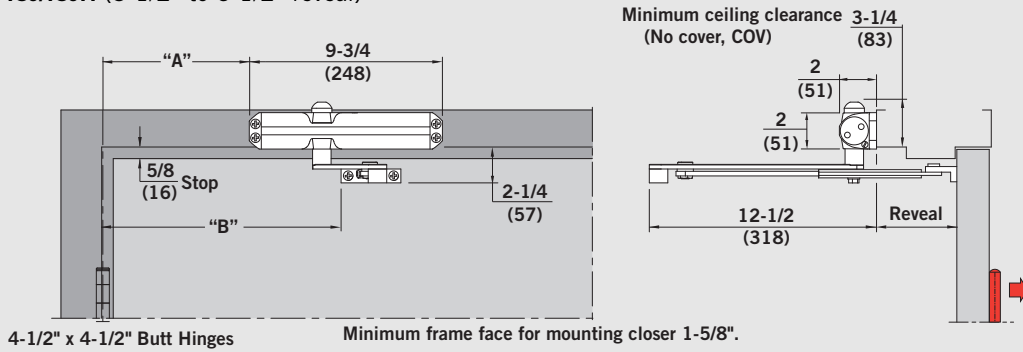
CLOSER	INTERIOR/ EXTERIOR	DOOR WIDTH				
		2'-0" min.	2'-6" max.	3'-0" max.	3'-6" max.	4'-0" max.
7302–7305	INTERIOR	N/A	7302	7303	7304	7305
	EXTERIOR	7302	7303	7304	7305	N/A

TEMPLATE REFERENCE	DIM "A"	DIM "B"	REVEAL	ARM	APPROX. MAXIMUM OPENING	APPROX. BACKCHECK	MIN. HOLD OPEN	MAX. HOLD OPEN
TO 100°	7-5/8" (194)	13-1/8" (333)	0"	FH	110°	70°–110°	70°	105°
			4"	FH	105°	75°–105°	70°	100°
			4"	FHJ	105°	75°–105°	70°	100°
			8"	FHJ	100°	80°–100°	70°	95°
TO 120°	6-1/8" (155)	11-5/8" (295)	0"	FH	125°	75°–125°	75°	120°
			4"	FH	120°	80°–120°	75°	115°
			4"	FHJ	120°	80°–120°	75°	115°
OVER 120°	3-5/8" (92)	9-1/8" (232)	0"	FH	180°	85°–180°	80°	170°
			4"	FH	180°	90°–180°	80°	170°
			4"	FHJ	180°	90°–180°	80°	170°
			8"	FHJ	165°	100°–165°	80°	155°
			8"	FHJ	165°	100°–165°	80°	155°

Note: Bold type shows supplied arm

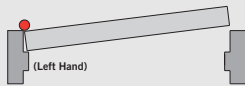
Top Jamb x Cushion IS Arm

7302-7305 ISJ/ISJH (3-1/2" to 6-1/2" reveal)



4-1/2" x 4-1/2" Butt Hinges

Minimum frame face for mounting closer 1-5/8".



Size Selection Chart

CLOSER	INTERIOR/ EXTERIOR	DOOR WIDTH				
		2'-0" min.	2'-6" max.	3'-0" max.	3'-6" max.	4'-0" max.
7302-7305	INTERIOR	N/A	7302	7303	7304	7305
	EXTERIOR	7302	7303	7304	7305	N/A

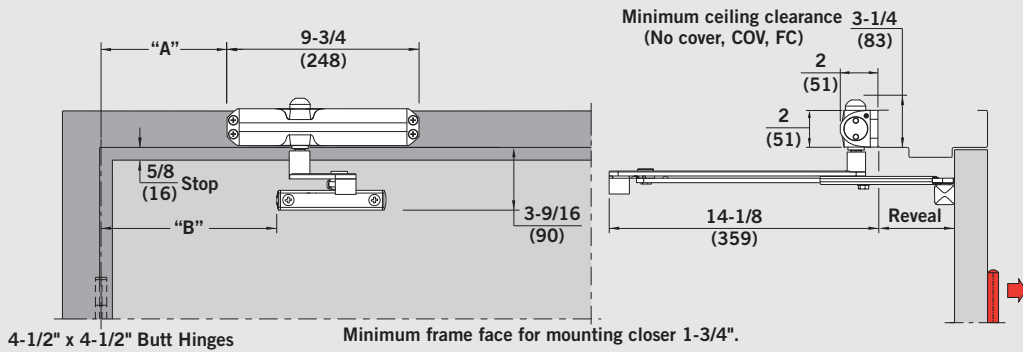
TEMPLATE REFERENCE	DIM "A"	DIM "B"	REVEAL	ARM	*CUSHION/ HOLD OPEN	APPROX. BACKCHECK
85°	6-1/2" (165)	12-5/8" (321)	0"-3-1/2"	IS	85°	55°-85°
			3-1/2"-6-1/2"	ISJ	85°	55°-85°
90°	5-3/4" (146)	12-1/8" (308)	0"-3-1/2"	IS	90°	60°-90°
			3-1/2"-6-1/2"	ISJ	90°	60°-90°
95°	5-1/2" (140)	11-3/4" (298)	0"-3-1/2"	IS	95°	65°-95°
			3-1/2"-6-1/2"	ISJ	95°	65°-95°
100°	5-1/4" (133)	11-1/4" (286)	0"-3-1/2"	IS	100°	70°-100°
			3-1/2"-6-1/2"	ISJ	100°	70°-100°
105°	5" (127)	11" (279)	0"-3-1/2"	IS	105°	70°-105°
			3-1/2"-6-1/2"	ISJ	105°	70°-105°
110°	4-3/4" (121)	10-3/4" (273)	0"-3-1/2"	IS	110°	75°-110°
			3-1/2"-6-1/2"	ISJ	110°	75°-110°

* Hold Open is approximately 5°-7° less than the cushion angle listed in the chart.

Note: Bold type shows supplied arm.

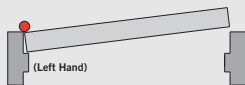
Top Jamb x Spring Stop IS Arm

7302-7305 S-ISJ/S-ISJH (3-1/2" to 6-1/2" reveal)



4-1/2" x 4-1/2" Butt Hinges

Minimum frame face for mounting closer 1-3/4".



Size Selection Chart

CLOSER	INTERIOR/ EXTERIOR	DOOR WIDTH				
		2'-0" min.	2'-6" max.	3'-0" max.	3'-6" max.	4'-0" max.
7302-7305	INTERIOR	N/A	7302	7303	7304	7305
	EXTERIOR	7302	7303	7304	7305	N/A

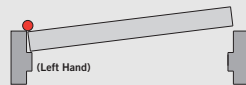
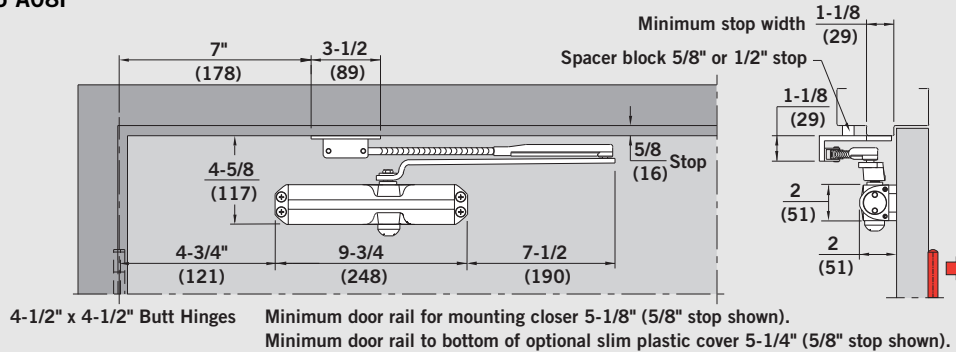
TEMPLATE REFERENCE	DIM "A"	DIM "B"	REVEAL	ARM	*DEAD STOP/ HOLD OPEN	APPROX. BACKCHECK
85°	8-1/2" (216)	11-1/16" (281)	0"-3-1/2"	S-IS	85°	55°-85°
			3-1/2"-6-1/2"	S-ISJ	85°	55°-85°
90°	7-7/8" (200)	10-7/16" (266)	0"-3-1/2"	S-IS	90°	60°-90°
			3-1/2"-6-1/2"	S-ISJ	90°	60°-90°
100°	7" (178)	9-9/16" (243)	0"-3-1/2"	S-IS	100°	70°-100°
			3-1/2"-6-1/2"	S-ISJ	100°	70°-100°
110°	6-3/8" (162)	8-15/16" (227)	0"-3-1/2"	S-IS	110°	75°-110°
			3-1/2"-6-1/2"	S-ISJ	110°	75°-110°

* Hold Open is approximately 5°-7° less than the dead stop angle listed in the chart.

Note: Bold type shows supplied arm.

Parallel Arm × Round Form Arm

7303–7305 ARP
7303–7305 A08P

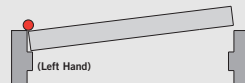
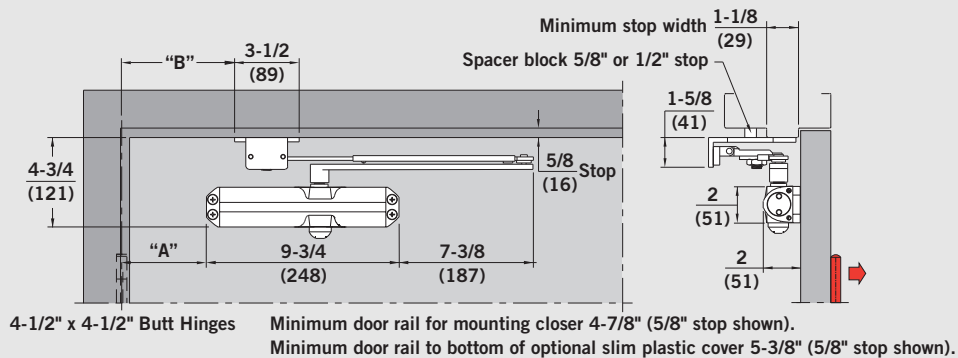


Size Selection Chart

CLOSER	INTERIOR/ EXTERIOR	DOOR WIDTH			TEMPLATE REFERENCE	APPROX. MAXIMUM OPENING	APPROX. BACKCHECK	MINIMUM DOOR WIDTH
		2'-6" max.	3'-0" max.	3'-6" max.				
7303–7305	INTERIOR	7303	7304	7305	TO 180°	180°	75°–180°	24"
	EXTERIOR	7304	7305	N/A				

Parallel Arm × Friction Hold Open

7303–7305 FHP

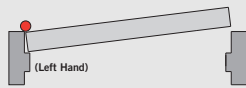
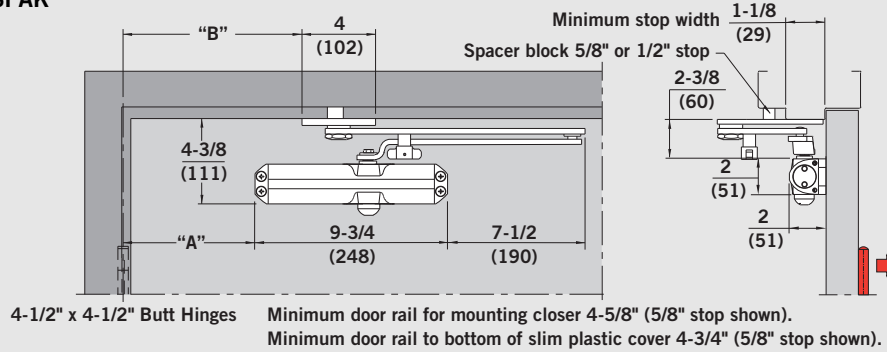


Size Selection Chart

CLOSER	INTERIOR/ EXTERIOR	DOOR WIDTH			TEMPLATE REFERENCE	DIM "A"	DIM "B"	APPROX. MAXIMUM OPENING	APPROX. BACKCHECK	MINIMUM HOLD OPEN	MAXIMUM HOLD OPEN	MINIMUM DOOR WIDTH
		2'-6" max.	3'-0" max.	3'-6" max.								
7303–7305	INTERIOR	7303	7304	7305	TO 100°	6-3/4" (171)	9" (228)	110°	80°–110°	45°	105°	29"
	EXTERIOR	7304	7305	N/A								
					OVER 100°	4-1/4" (108)	6-1/2" (165)	180°	95°–180°	45°	175°	24"

Heavy-Duty Super Parallel Arm

7305 SPA/SPAT/SPAK

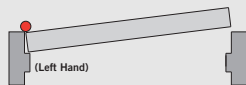
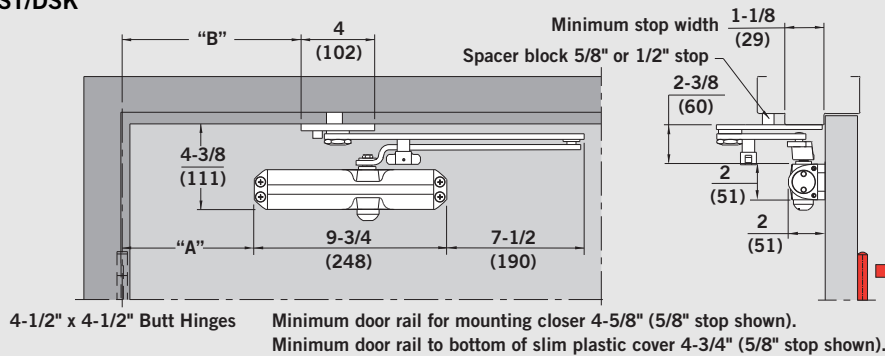


Size Selection Chart

CLOSER	INTERIOR/ EXTERIOR	DOOR WIDTH		ANGLE OF OPENING/ HOLD OPEN	DIM "A" CLOSER	DIM "B" SOFFIT PLATE	APPROX. MAXIMUM OPENING	APPROX. BACKCHECK	MINIMUM DOOR WIDTH
		3'-0" max.	3'-6" max.						
7305	INTERIOR	N/A	7305	TO 100° H.O. 90°	6-13/16" (173)	9-1/8" (232)	100°	60°-100°	26"
	EXTERIOR	7305	N/A	TO 180° H.O. 123°	3-3/16" (81)	5-1/2" (140)	180°	80°-180°	23"

Heavy-Duty Parallel Arm Door Saver x Cushion

7305 DS/DST/DSK



Size Selection Chart

CLOSER	INTERIOR/ EXTERIOR	DOOR WIDTH		TEMPLATE REFERENCE	DIM "A" CLOSER	DIM "B" SOFFIT PLATE	* CUSHION/ HOLD OPEN	APPROX. BACKCHECK	MINIMUM DOOR WIDTH
		3'-0" max.	3'-6" max.						
7305	INTERIOR	N/A	7305	85°	7-3/16" (183)	10" (254)	85°	50°-85°	26"
				90°	6-5/16" (160)	9-1/4" (235)	90°	55°-90°	25"
	EXTERIOR	7305	N/A	100°	5-3/16" (132)	8" (203)	100°	60°-100°	24"
				110°	3-15/16" (100)	6-7/8" (175)	110°	65°-110°	23"

* Hold Open is approximately 1° - 2° less than the cushion angle listed in the chart.

Heavy-Duty Parallel Arm x Spring Door Saver

7302-7305 S-DS/S-DST

4-1/2" x 4-1/2" Butt Hinges Minimum door rail for mounting closer 4-5/8" (5/8" stop shown).
Minimum door rail to bottom of slim plastic cover 4-3/4" (5/8" stop shown).

Size Selection Chart

CLOSER	INTERIOR/ EXTERIOR	DOOR WIDTH		TEMPLATE REFERENCE	DIM "A" CLOSER	DIM "B" SOFFIT PLATE	* DEAD STOP/ HOLD OPEN	APPROX. BACKCHECK	MINIMUM DOOR WIDTH
		3'-0" max.	3'-6" max.						
7305	INTERIOR	N/A	7305	85°	7-3/16" (183)	10" (254)	85°	50°-85°	26"
		7305	N/A	90°	6-5/16" (160)	9-1/4" (235)	90°	55°-90°	25"
	EXTERIOR	7305	N/A	100°	5-3/16" (132)	8" (203)	100°	60°-100°	24"
		N/A	N/A	110°	3-15/16" (100)	6-7/8" (175)	110°	65°-110°	23"

* Hold Open is approximately 5°-7° less than the dead stop angle listed in the chart.

Track - Pull Side Door Mounted

7305 T
7305 TH

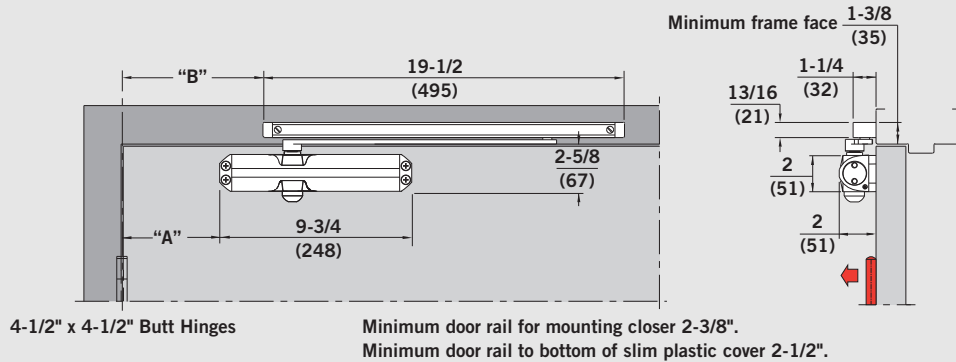
4-1/2" x 4-1/2" Butt Hinges Minimum frame face for mounting closer 2-7/8".
Optional BP86T plate required for slim plastic cover.
Specify hand.

Size Selection Chart

CLOSER	INTERIOR/ EXTERIOR	DOOR WIDTH				TEMPLATE REFERENCE	DIM "A"	DIM "B"	CUSHION	MAXIMUM HOLD OPEN	APPROX. BACKCHECK	APPROX. DELAYED ACTION	MINIMUM DOOR WIDTH
		2'-6" min.	3'-0" max.	3'-6" max.	4'-0" max.								
7305	INTERIOR	•	•	•	N/A	85°	3-7/8" (98)	9-5/8" (244)	85°	83°	65°-85°	85°-65°	31"
		•	•	•	N/A	90°	3-7/8" (98)	8-5/8" (219)	90°	88°	65°-90°	90°-65°	30"
	EXTERIOR	•	•	N/A	N/A	110°	2-5/8" (67)	6-3/4" (171)	110°	108°	70°-110°	110°-70°	27"
		•	•	N/A	N/A	180°	2-1/8" (54)	4-1/8" (105)	180°	160°	80°-180°	180°-80°	25"

Jamb Track - Pull Side Frame Mounted

7305 JT
7305 JTH

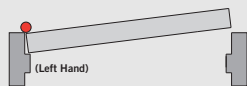
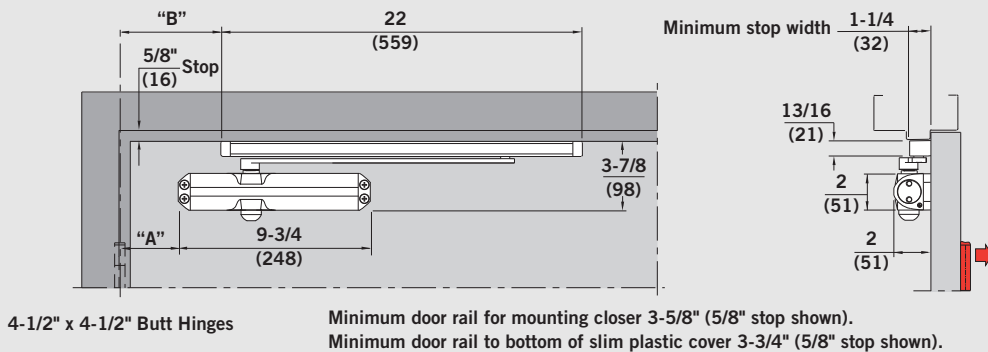


Size Selection Chart

CLOSER	INTERIOR/ EXTERIOR	DOOR WIDTH				TEMPLATE REFERENCE	DIM "A"	DIM "B"	CUSHION	MAXIMUM HOLD OPEN	APPROX. BACKCHECK	APPROX. DELAYED ACTION	MINIMUM DOOR WIDTH
		2'-6" min.	3'-0" max.	3'-6" max.	4'-0" max.								
7305	INTERIOR	•	•	•	N/A	85°	6-1/8" (156)	8" (203)	85°	80°	60°-85°	85°-60°	31"
	EXTERIOR	•	•	N/A	N/A	90°	5-5/8" (143)	7-1/2" (191)	90°	85°	65°-90°	90°-65°	30"
						110°	4-3/8" (111)	5-3/4" (146)	110°	100°	80°-110°	110°-80°	28"
						175°	3-7/8" (98)	3-3/8" (86)	175°	145°	95°-180°	175°-95°	25"

Push Track - Push Side Soffit Mounted

7305 PT
7305 PTH

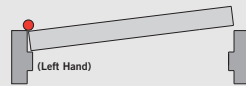
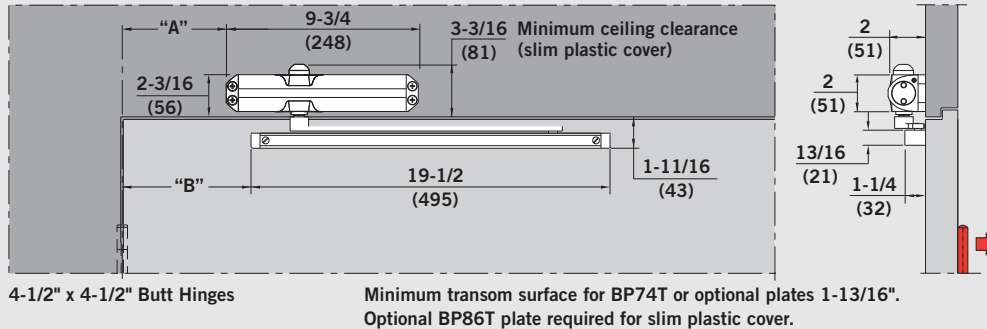


Size Selection Chart

CLOSER	INTERIOR/ EXTERIOR	DOOR WIDTH				TEMPLATE REFERENCE	DIM "A"	DIM "B"	CUSHION	MAXIMUM HOLD OPEN	APPROX. BACKCHECK	APPROX. DELAYED ACTION	MINIMUM DOOR WIDTH
		2'-6" min.	3'-0" max.	3'-6" max.	4'-0" max.								
7305	INTERIOR	•	•	•	N/A	85°	4-3/8" (111)	9-1/8" (232)	85°	82°	65°-85°	85°-65°	33"
	EXTERIOR	•	•	N/A	N/A	90°	4-3/8" (111)	7-1/2" (191)	90°	87°	65°-90°	90°-65°	31"
						100°	4-3/8" (111)	5-1/2" (140)	100°	97°	65°-100°	100°-65°	29"

Flush Track - Push Side Door Mounted x Backplate

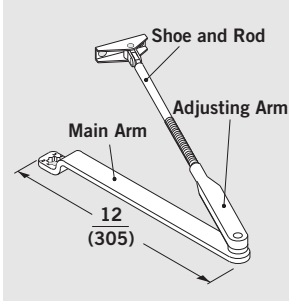
7305 FT BP86T
7305 FTH BP86T



Size Selection Chart

CLOSER	INTERIOR/ EXTERIOR	DOOR WIDTH				TEMPLATE REFERENCE	DIM "A"	DIM "B"	CUSHION	MAXIMUM HOLD OPEN	APPROX. BACKCHECK	APPROX. DELAYED ACTION	MINIMUM DOOR WIDTH
		2'-6" min.	3'-0" max.	3'-6" max.	4'-0" max.								
7305	INTERIOR	•	•	•	N/A	85°	4-13/16" (122)	6-3/8" (162)	85°	82°	60°-85°	85°-60°	29"
	EXTERIOR	•	•	N/A	N/A	90°	4-5/16" (110)	6-1/16" (154)	90°	87°	65°-90°	90°-65°	28"
							110°	3-5/16" (84)	4-3/4" (121)	110°	105°	75°-110°	110°-75°
						140°	2-3/8" (60)	4" (102)	135°	125°	85°-135°	135°-85°	25"

Round Form Arm (8 mm rod)

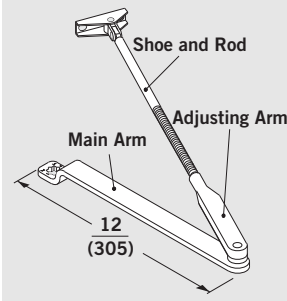


AR — Complete Arm Assembly (0"-4" [0 mm-102 mm] reveal) with 8 mm rod. Arm is non-handed.

ARP — Parallel round form arm complete (Tri-Pack) (0"-4" [0 mm-102 mm] reveal). P86 included.

AMR04 — Regular non-hold open main arm and adjusting arm. Accepts 8 mm rod.

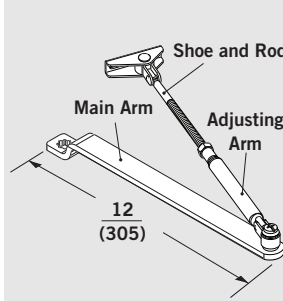
Round Form Arm (10 mm rod)



ARJ — Complete Arm Assembly (4"-8" [102 mm-203 mm] reveal) with 10 mm rod. Designed specifically for top jamb applications with deeper reveals. Arm is non-handed.

AMR48 — Regular non-hold open main arm and adjusting arm. Accepts 10 mm rod.

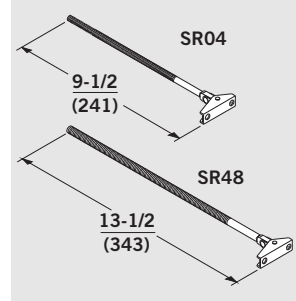
Round Form Arm (8 mm rod)



A08 — Complete secured elbow arm non-hold open assembly (0"-4" [0 mm-102 mm] reveal) with 8 mm rod. Optional arm with 7300 Series closers. Arm is non-handed.

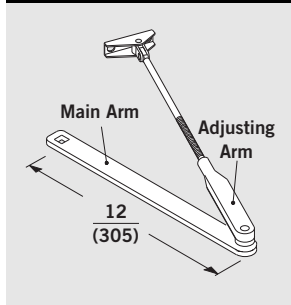
A08P — Parallel round form arm secured elbow non-hold open complete (Tri-Pack) (0"-4" [0 mm-102 mm] reveal). P86 included.

Regular Arm Shoe and Rod



SR04 (8 mm Rod Diameter) — 0"-4" (0 mm-102 mm) reveal. Shoe and rod only.

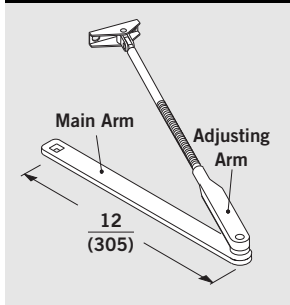
SR48 (10 mm Rod Diameter) — 4"-8" (102 mm-203 mm) reveal. Shoe and rod only. SR04 has an 8 mm rod and must be used in conjunction with main arm and adjusting arm AMR04. The SR48 has a 10 mm rod and must be used with main arm and adjusting arm AMR48. Non-handed.

Narrow Profile Arm (8 mm)

ARNP — Complete arm assembly. Regular or top jamb mount. Permits installation on 1" (25 mm) frame face for regular mount with maximum pull-side reveal of 1/8" (3 mm). Can also be used top jamb (0"-4" [0 mm-102 mm] reveal) for narrow top door rails. Arm is non-handed.

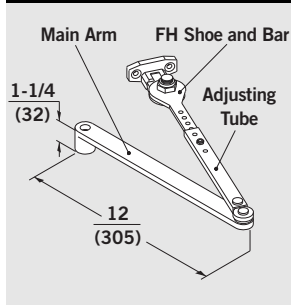
ARNPP — Complete arm assembly for parallel arm mount (Tri-Pack). (0"-4" [0 mm-102 mm] reveal). P86 included.

AMR04NP — Narrow profile main arm and adjusting arm. Used in conjunction with SR04 shoe and rod. Uses 8 mm rod.

Narrow Profile Arm (10 mm)

ARNPJ — Complete arm assembly for top jamb installations (4"-8" [102 mm-203 mm] reveal) for narrow top door rails. Arm is non-handed.

AMR48NP — Narrow profile main arm and adjusting arm. Used in conjunction with SR48 shoe and rod. Uses 10 mm rod.

Friction Hold Open Arm

FH — Friction hold open arm complete (0"-4" [0 mm-102 mm] reveal).

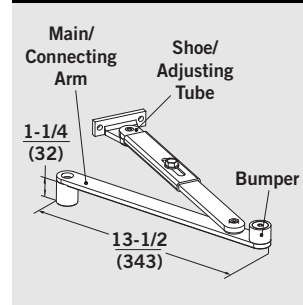
FHJ — Top jamb friction hold open arm complete (4"-8" [102 mm-203 mm] reveal).

FHP — Friction hold open arm complete (Tri-Pack) (0"-4" [0 mm-102 mm] reveal). PHB included.

FHM04 — Friction hold open main arm and adjusting tube (0"-4" [0 mm-102 mm] reveal).

FHM48 — Friction hold open main arm and adjusting tube (4"-8" [102 mm-203 mm] reveal).

FHSB — Friction hold open shoe and bar.

Cushion IS Arm

Provides a cushioned opening function for regular and top jamb applications at 85°, 90°, 95°, 100°, 105°, and 110°. Arm is non-handed.

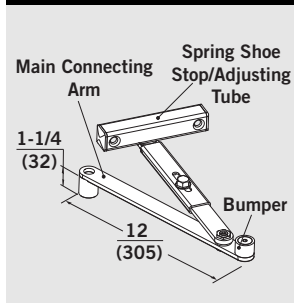
IS — Cushion IS arm complete (0"-3-1/2" [0 mm-89 mm] reveal).

ISJ — Cushion IS top jamb arm complete (3-1/2"-6-1/2" [89 mm-165 mm] reveal).

ISH — Cushion IS hold open arm complete (0"-3-1/2" [0-89 mm] reveal).

ISJH — Cushion IS top jamb hold open arm complete. (3-1/2"-6-1/2" [89 mm-165 mm] reveal).

Spring Stop IS Arm



Provides a spring assisted dead stop function for regular and top jamb applications at 85°, 90°, 100°, and 110°. Arm is non-handed.

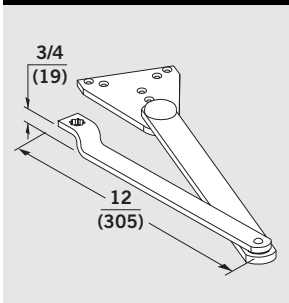
S-IS — Spring stop IS arm complete (0"-3-1/2" [0 mm–89 mm] reveal).

S-ISH — Spring stop IS hold open arm complete (0"-3-1/2" [0 mm–89 mm] reveal).

S-ISJ — Spring stop IS top jamb arm complete (3-1/2"-6-1/2" [89 mm–165 mm] reveal).

S-ISJH — Spring stop IS top jamb hold open arm complete (3-1/2"-6-1/2" [89 mm–165 mm] reveal).

Super Parallel Arm



Heavy-duty parallel arm. Available in non-hold open, thumb turn hold open, and hex key turn hold open.

Units can be installed for maximum opening of 100° or 180°. Hold open units will hold open at 90° or 125°.

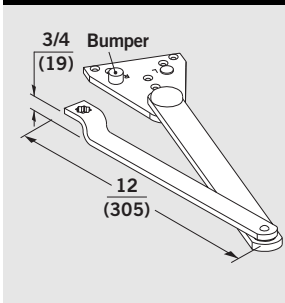
Maximum opening is 180° (conditions permitting). Arm is non-handed. Non-hold open arm illustrated.

SPA — Super parallel arm non-hold open.

SPAT — Super parallel arm thumb turn hold open.

SPAK — Super parallel arm hex key turn hold open.

Door Saver Arm



Heavy-duty parallel arm with integral cushioned opening function. Available in non-hold open, thumb turn hold open, and hex key turn hold open. Units can be installed to achieve either stop or stop and hold open at 85°, 90°, 100°, and 110°. Maximum opening is 110° (conditions permitting). Arm is non-handed. Non-hold open arm illustrated.

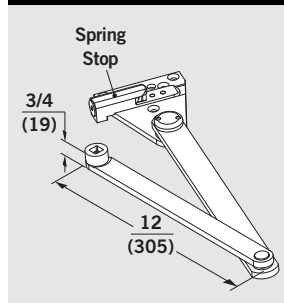
DS — Door saver arm non-hold open.

DST — Door saver arm thumb turn hold open.

DSK — Door saver arm hex key turn hold open.

BUMPERDS — Door saver bumper only.

Spring Stop Door Saver Arm



Heavy-duty parallel arm with spring assisted dead stop function. Available in non-hold open and thumb turn hold open. Units can be installed to achieve either stop at 85°, 90°, 100°, and 110° or stop and hold open function. Maximum opening is 110° (conditions permitting). Arm is non-handed. Non-hold open arm illustrated.

S-DS — Spring stop door saver arm.

S-DST — Spring stop door saver arm thumb turn hold open.

S-SPRING DS — Spring stop assembly complete.

Cushion IS/Spring Stop IS Arm Accessories

SISM — Cushion IS/spring stop IS main arm and connecting arm. (0"-3-1/2" [0 mm–89 mm] reveal).

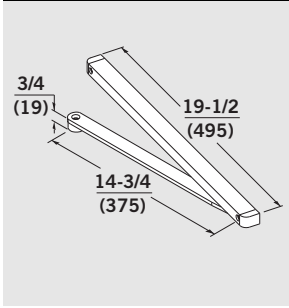
SISJM — Cushion IS/spring stop IS top jamb main arm and connecting arm. (3-1/2"-6-1/2" [89 mm–165 mm] reveal).

ISSB — Cushion IS spring shoe stop and adjusting tube.

BUMPER IS — Cushion IS/spring stop IS urethane bumper.

S-SPRING IS — Spring shoe stop assembly complete.

Track Arm

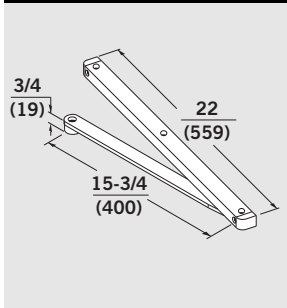


Provides slide track function for improved aesthetics and vandal resistance. Units can be installed to provide 85°, 90°, 110°, or 180° of door opening (conditions and application permitting). Arm is non-handed.

T — Track arm complete. Can be used on pull-side T applications (closer on door, track on frame) and JT applications (track on frame, closer on door). Can also be used with FT flush transom applications (closer on transom, track on door).

TH — Track hold open arm complete. Can be used in same applications as T arm. Range of hold open and maximum opening varies with mounting application.

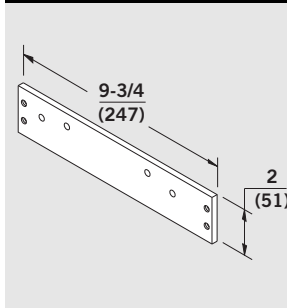
Push Side Track Arm



PT86 — Push-side track arm complete. Used with PT track applications (closer on door, track on soffit).

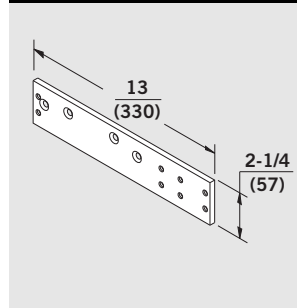
PT86H — Push-side track hold open arm complete. Used with PT track applications (closer on door, track on soffit).

Backplate



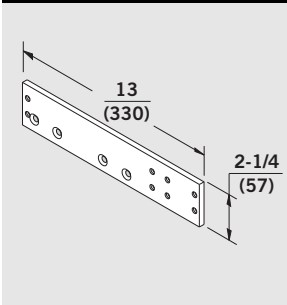
BP73 — For top jamb mount when overhead ceiling clearance is less than 2-1/4" (57 mm). Can also be used for regular mount to clear a mortised overhead stop/holder.

Backplate



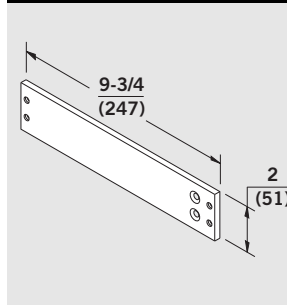
BP86 — For top jamb mount with slim plastic cover when overhead ceiling clearance is less than 2-1/4" (57 mm). Can also be used for regular mount to clear a mortised overhead stop/holder.

Backplate



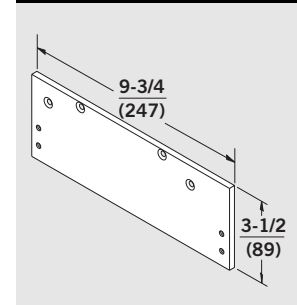
BP86T — For use with pull-side track applications (closer on frame face, track on door) with slim plastic cover to permit installation on a standard 2" (51 mm) frame face.

Conversion plate



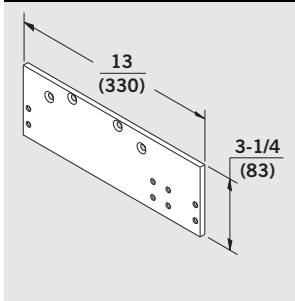
BP600C — For regular, top jamb, or parallel arm mounts. Permits replacement of existing 600/610 Series closers with 7300 Series closers. Eliminates the need to remachine the door and frame.

Drop Plate



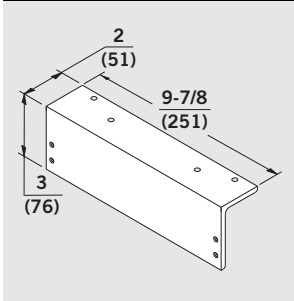
DP73 — For top jamb mount to clear a surface applied stop/holder. Overhead ceiling clearance must be 1-3/4" (44 mm) or more. Permits parallel arm installation with minimum top door rail of 2-1/2" (64 mm) for non-hold open, 2-3/4" (70 mm) for friction hold open applications (assuming 5/8" [16 mm] stop dimension).

Drop Plate



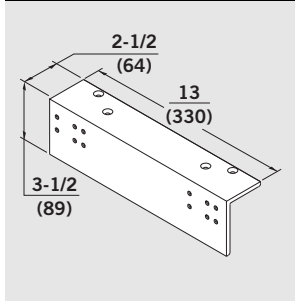
DP86 — For top jamb mount with slim plastic cover to clear a surface applied stop/holder. Overhead ceiling clearance must be 1-3/4" (44 mm) or more. Permits parallel arm installation with minimum top door rail of 2-1/2" (64 mm) for non-hold open, 2-3/4" (70 mm) for friction hold open applications (assuming 5/8" [16 mm] stop dimension).

Angle Bracket



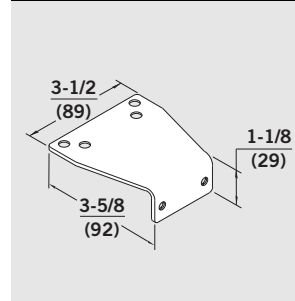
AB73 — For installation of closers where parallel arm and top jamb applications are not practical due to low overhead ceiling clearance, narrow frame face or unusual trim conditions. This bracket can also be used to provide clearance for a surface-applied stop/holder.

Angle Bracket



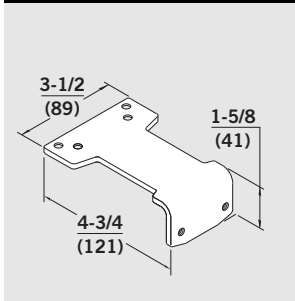
AB86 — For installation of 7300 Series closers using a slim plastic cover. Used where parallel arm and top jamb applications are not practical due to low overhead ceiling clearance, narrow frame face or unusual trim conditions. This bracket can also be used to provide clearance for a surface-applied stop/holder.

Parallel Arm Bracket



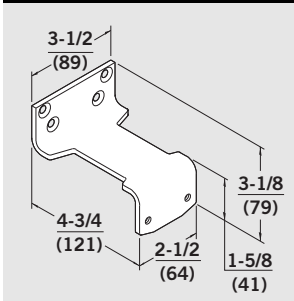
P86 — Furnished optionally with 7300 Series non-hold open parallel arm applications.

Parallel Hold Open Bracket



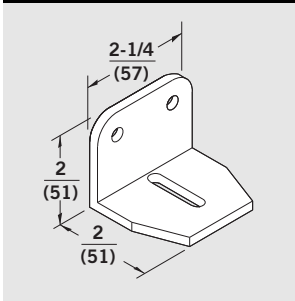
PHB — Furnished with 7300 Series closer friction hold open parallel arm applications.

Parallel Flush Transom Bracket



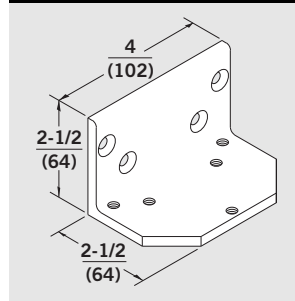
PFT — For all 7300 Series closer hold open and non-hold open parallel arm applications where flush transom conditions prohibit use of P86 or PHB bracket.

Narrow Frame Bracket



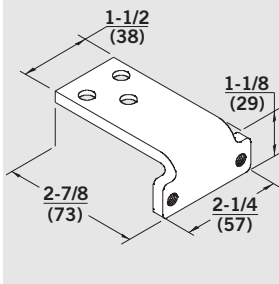
NFHD — For use with all DS and SPA applications where total frame depth is less than 4-1/2" (114 mm), prohibiting use of standard spacer block. NFHD bracket is used in lieu of block supplied with arm.

Flush Transom Bracket



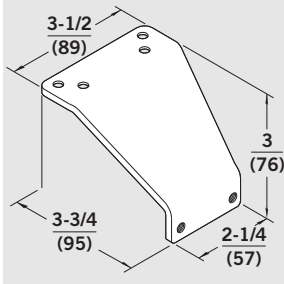
FTHD — For use with all DS and SPA applications where flush transom conditions prohibit normal installation of soffit bracket.

Mortised Jamb Bracket



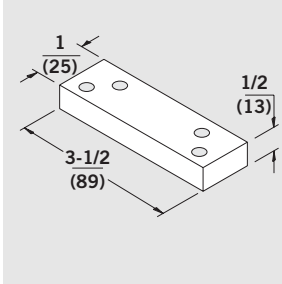
MJ — For 7300 Series closers with regular mount non-hold open assemblies, where frame conditions will not permit use of the standard foot, e.g. molded or ornate trim. Permits use of parallel arm application between twin communicating doors where limited space prohibits use of the wider P86 bracket.

Parallel Drop Bracket



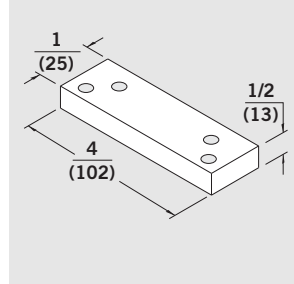
PD — For 7300 Series closer non-hold open parallel arm applications to clear a surface-applied stop/holder.

Blade Stop Spacer



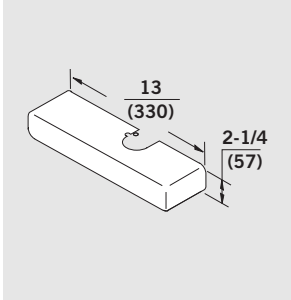
BS — For use with all 7300 Series P86, PD, and PHB applications installed on cased frames with applied blade stops. This block is used to provide adequate clearance for the blade stop.

Heavy-Duty Blade Stop Spacer



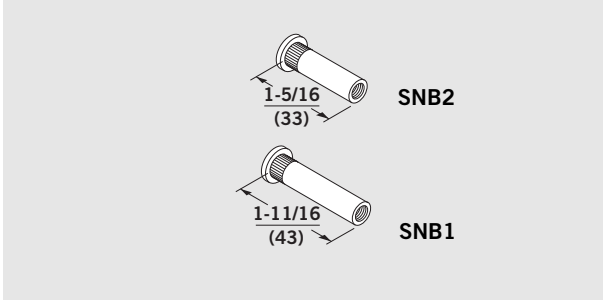
BSHD — For use with all 7300 Series DS and SPA applications installed on cased frames with applied blade stops. This block is used in conjunction with the spacer furnished with the arm to provide adequate clearance for the blade stop.

Slim Plastic Cover



COV — Optional slim plastic cover.

Sex Nuts



SNB1 — Sex nuts with machine screws for 1-3/4" (44 mm) door.
SNB2 — Sex nuts with machine screws for 1-3/8" (35 mm) door.

Required for use on unreinforced doors and wood or composite labeled fire doors for securely attaching hardware to the door.



www.dorma-usa.com



Door Hardware



Glass Systems



Door Automation



Revolving Doors



Moveable Walls

DORMA Americas

DORMA Architectural Hardware

Dorma Drive, Drawer AC
Reamstown, PA 17567
TEL: 800 523 8483
FAX: 800 274 9724
archdw@dorma-usa.com

DORMA Canada

1680 Courtney Park Drive, Unit 13
Mississauga, Ontario L5T 1R4
TEL: 800 387 4938
FAX: 905 670 5850
sales@dormacanada.com

DORMA Mexico

Astrónomos 28, Col. Escandón
México, D.F. 11800
Del. Miguel Hidalgo
TEL: 5255 5272 6937
FAX: 5255 5272 6948
operacion@dorma.com.mx