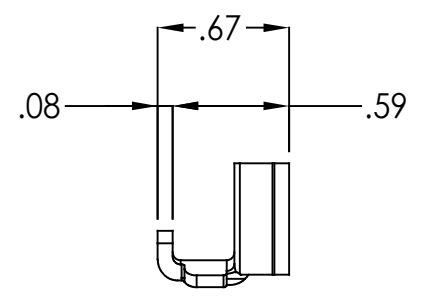
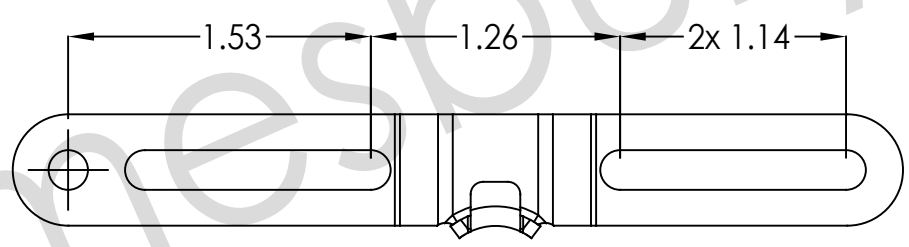
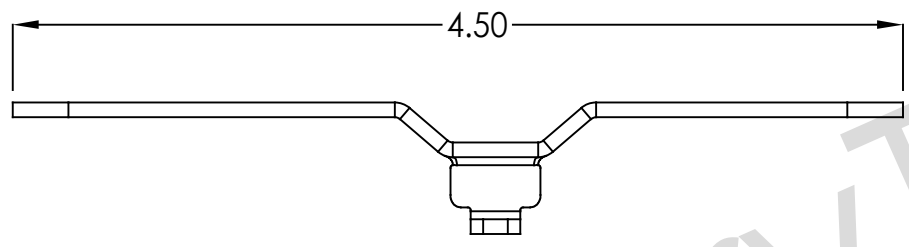


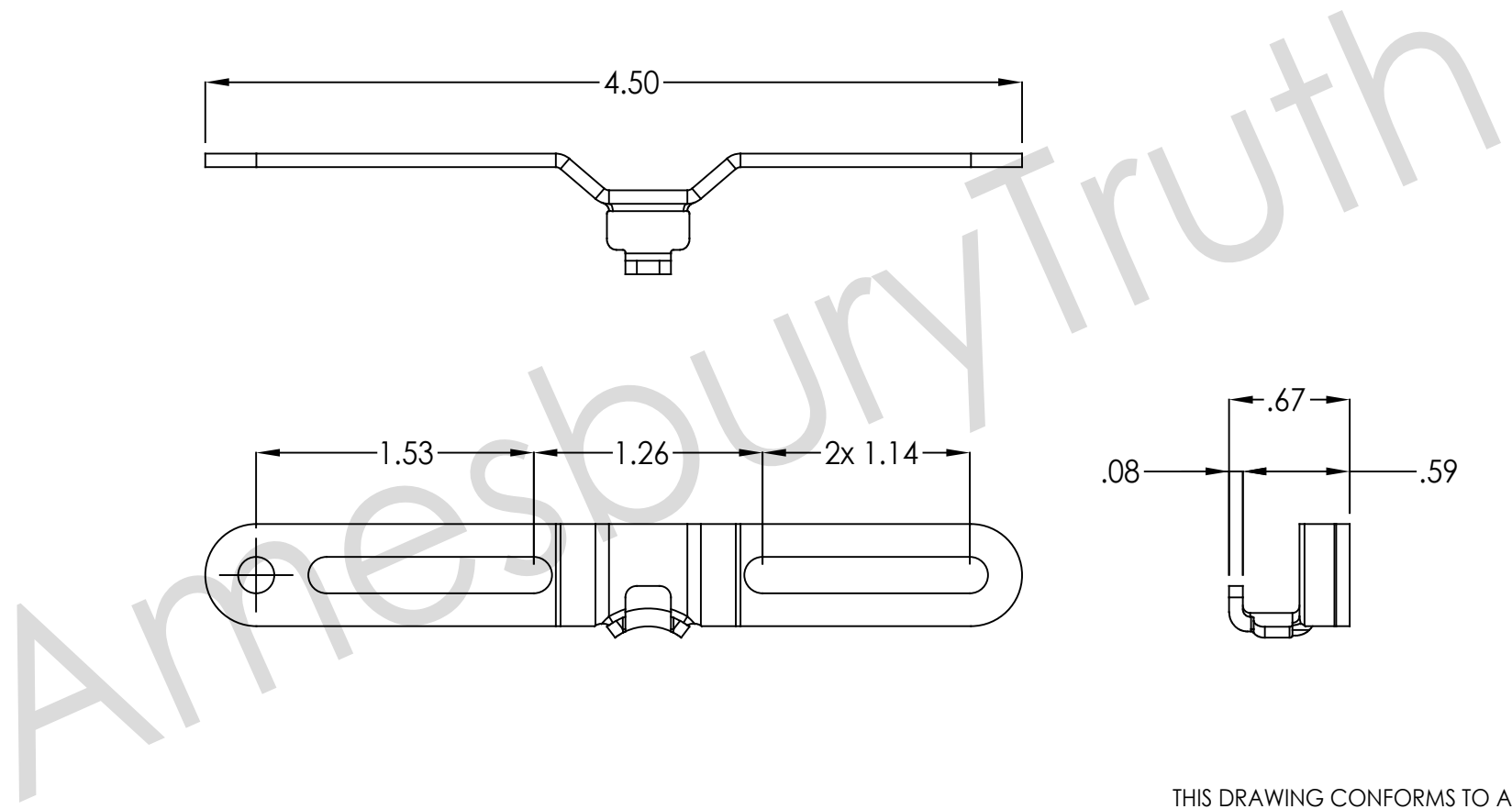
BREAK ALL SHARP EDGES

SIZE **A** DRAWING NO. **33738**

NO	LOC.	NOW	WAS	DATE	INT



DO NOT SCALE DRAWINGS



THIS DRAWING CONFORMS TO ANSI Y14.5M - 1982

TRUTH HARDWARE MAKES NO WARRANTY OR REPRESENTATION OF ANY KIND, EXPRESS OR IMPLIED, WITH RESPECT TO QUALITY, CONTENT, FORM, PERFORMANCE, FITNESS FOR PURPOSE, MERCHANTABILITY OR OTHERWISE OF THE APPLICATION DRAWINGS PROVIDED. THESE DRAWINGS ARE USED AT THE RECIPIENT'S OWN RISK AND TRUTH HARDWARE HAS AND SHALL HAVE NO RESPONSIBILITY FOR RECIPIENT'S, OR ANY THIRD PARTY'S, USE OF THESE DRAWINGS OR ANY OF THE INFORMATION CONTAINED THEREIN. THE RECIPIENT AGREES TO INDEMNIFY, DEFEND, AND HOLD HARMLESS TRUTH HARDWARE AND ITS EMPLOYEES AND THEIR SUCCESSORS AND ASSIGNS FROM AND AGAINST ANY AND ALL CLAIMS, SUITS, LOSSES, DAMAGES, OR COSTS INCURRED FROM USING THESE DRAWINGS OR ANY CONTENT THEREOF.



700 West Bridge Street  
Owatonna, MN 55060  
Telephone 507-451-5620

THIS DRAWING IS THE PROPERTY OF TRUTH HARDWARE. THE INFORMATION THEREON IS TO BE TREATED AS CONFIDENTIAL. IT IS NOT TO BE USED, COPIED, OR DISCLOSED TO OUTSIDE PARTIES WITHOUT OUR WRITTEN CONSENT.

DRAWN BY		DATE	
CHECKED BY		SCALE 1:1	
PART NAME			
DRAWING NO. <b>33738</b>		REVISION	SIZE <b>A</b>

PROFILE