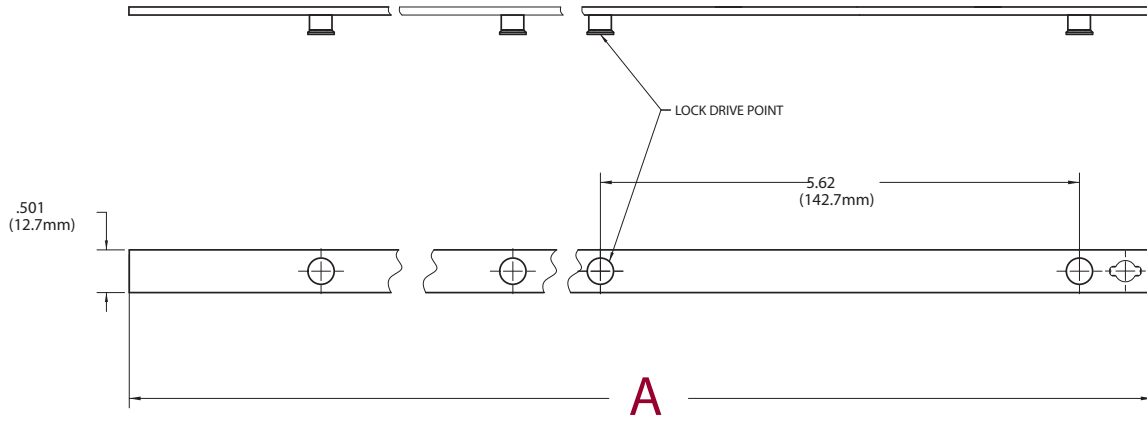


FIG. 5 TIE BAR CHART FOR INTERLOCK ROLLER



RECOMMENDED MINIMUM FRAME HEIGHT	TIE BAR ASSEMBLY								
	PART NO.					"A" DIM TIEBAR LENGTH	"B" DIM SEE FIG.1	"C" DIM SEE FIG.1	"D" DIM SEE FIG.1
	2 ROLLERS	3 ROLLERS	4 ROLLERS	5 ROLLERS	6 ROLLERS				
20in (508.0mm)	11901	NA	NA			14.9 (378.5mm)	11.00 (279.4mm)	NA	NA
24in (609.6mm)	11902	NA	NA			18.9 (480.1mm)	15.00 (381.0mm)	NA	NA
28in (711.2mm)	11903	11913	NA			22.9 (581.7mm)	19.00 (482.6mm)	10.00 (254.0mm)	NA
32in (812.8mm)	11904	11914	NA			26.9 (683.3mm)	23.00 (584.2mm)	12.00 (304.8mm)	NA
36in (914.4mm)	11905	11915	NA			30.9 (784.9mm)	27.00 (685.8mm)	14.00 (355.6mm)	NA
40in (1016.0mm)	11906	11916	NA			34.9 (886.5mm)	31.00 (787.4mm)	16.00 (406.4mm)	NA
44in (1117.6mm)	11907	11917	NA			38.9 (988.1mm)	35.00 (889.0mm)	18.00 (457.2mm)	NA
48in (1219.2mm)	11908	11918	NA			42.9 (1089.7mm)	39.00 (990.6mm)	20.00 (508.0mm)	NA
52in (1320.8mm)	11909	11919	*13092			46.9 (1191.3mm)	43.00 (1092.2mm)	22.00 (558.8mm)	NA
56in (1422.4mm)	11910	11920	*13093			50.9 (1292.9mm)	47.00 (1193.8mm)	24.00 (609.6mm)	NA
60in (1524.0mm)	11911	11921	*13094			54.9 (1394.5mm)	51.00 (1295.4mm)	26.00 (660.4mm)	NA
64in (1625.6mm)	11912	11922	*13095			58.9 (1496.1mm)	55.00 (1397.0mm)	28.00 (711.2mm)	NA
68in (1727.2mm)	NA	NA	*12925	*13096		62.9 (1597.6mm)	59.00 (1498.6mm)	39.56 (1004.8mm)	19.78 (50.2mm)
72in (1828.8mm)	NA	NA	*12926	*13097		66.9 (1699.2mm)	63.00 (1600.2mm)	42.22 (1072.3mm)	21.11 (536.1mm)
76in (1930.4mm)	NA	NA	*12927		*13098	70.9 (1800.8mm)	67.00 (1701.8mm)	44.89 (1140.2mm)	22.45 (570.2mm)

NOTE:

- "D" DIMENSION NOT SHOWN. FOR KEEPER AND TIE BAR GUIDE PLACEMENT. DIMENSION "D" HAS THE SAME ORIGIN AS B AND C DIMENSIONS IN FIG. 1.
- B AND C DIMENSIONS ARE CONFIGURED TO GIVE SEQUENTIAL AND PROGRESSIVE LOCKING STARTING WITH THE BOTTOM LOCKING POINT.
- *3. TIE BARS WITH ADDITIONAL LOCK POINTS FOR HIGHER DP RATINGS. CONTACT TRUTH APPLICATION SPECIALIST FOR MORE INFORMATION.