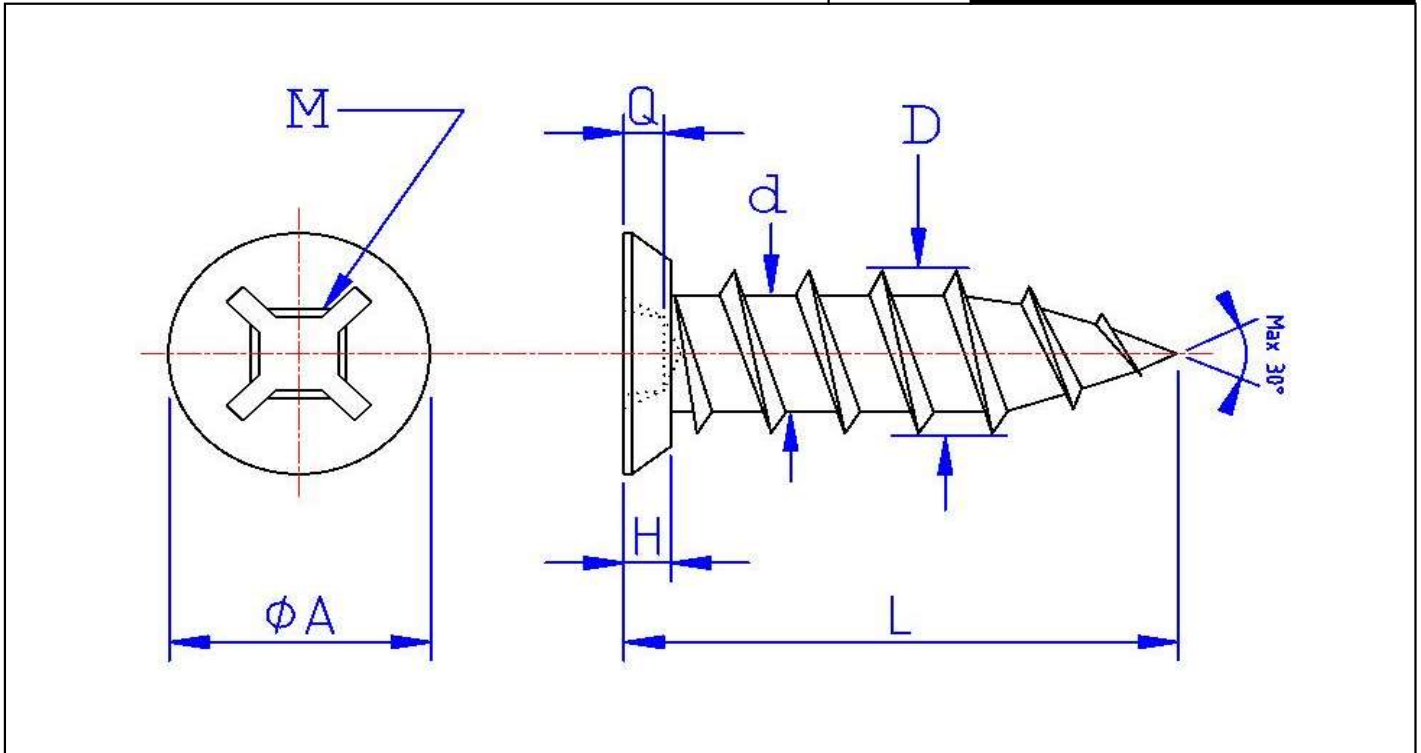




Brand	Root
	FQLRS...



unit: INCH

L LENGTH TOLERANCE	$\leq 5/8''$	± 0.03
	$> 5/8''$	± 0.05

THREAD LENGTH	$< 1''$	Full Thread
	$\geq 1''$	2/3 Thread

SCREW SIZE	M PUNCH		Q DRIVE DEPTH	H HEAD HEIGHT	A HEAD DIAM.	d MINOR DIAM.	D THREAD DIAM.	THREAD PER INCH	TORK INCH/ POUND
#10	#1	Min	0.040	0.059	0.255	0.126	0.188	12	
		Max	0.055	0.064	0.280	0.133	0.194		

Flat Countersunk Head #7 undercut, Quadrex #1, Wood screw Coarse Thread
 Stainless steel 18-8 Passivated
 Point must be **SHARP**

Root= Flat Quadrex Low Root Stainless

Bulk Label Description:

- English: FLAT HEAD #7 UNDERCUT, QUADREX #1, WOOD SCREW, COARSE THREAD, STAINLESS STEEL
- French: VIS À BOIS, TÊTE PLATE #7 UNDERCUT, QUADREX #1, GROS FILET, ACIER INOXYDABLE
- Spanish: TORNILLO PARA MADERA, CABEZA PLANA #7, DE CORTE SESGADO, QUADREX #1, ROSCA GRUESA, ACERO INOXIDABLE

Date: 6 février 2023

Done by: P.B.