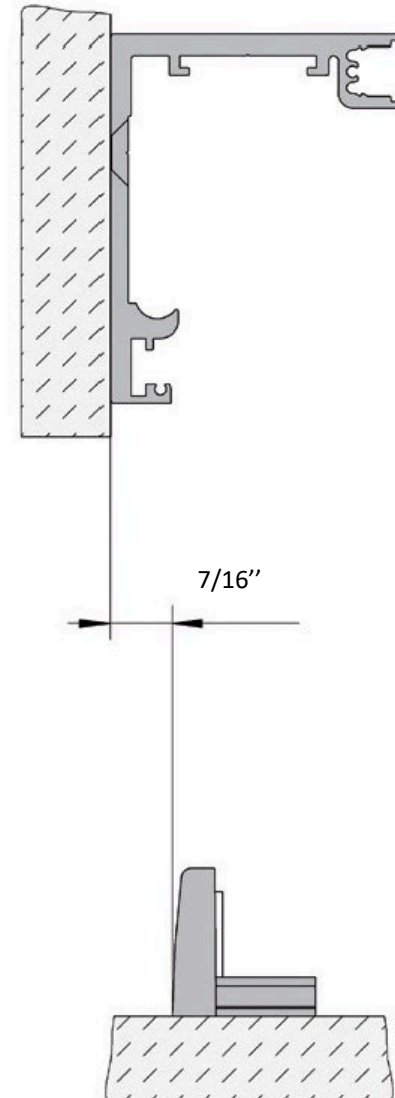
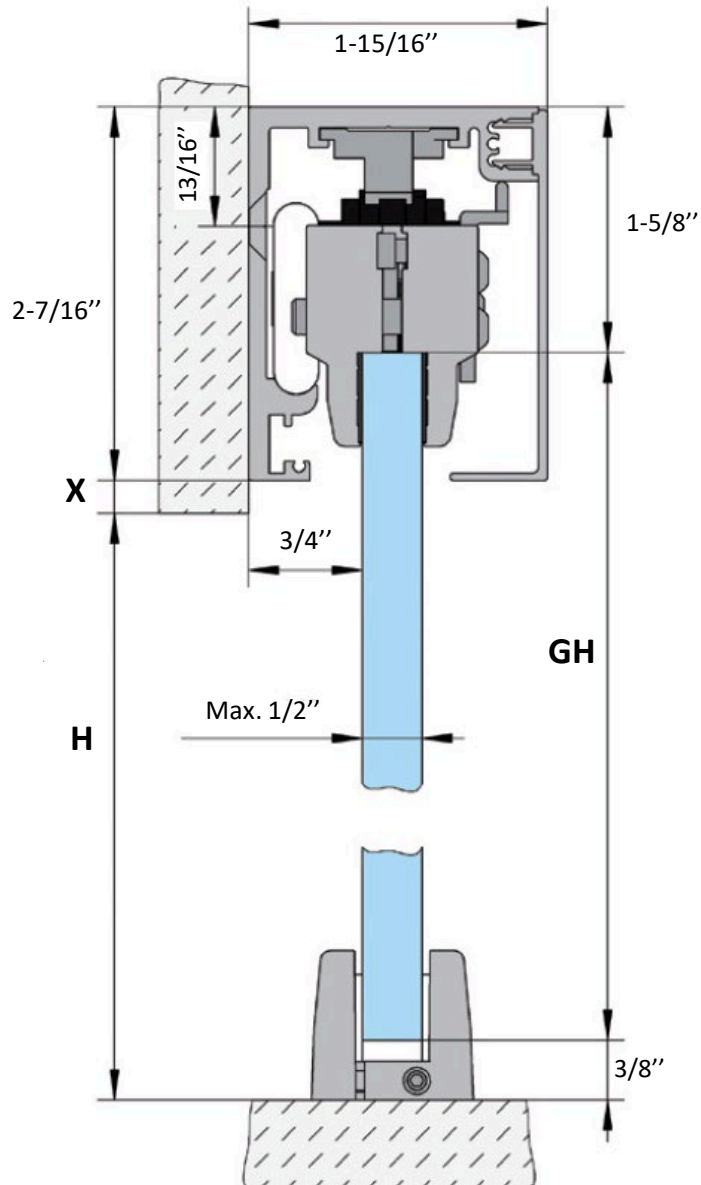
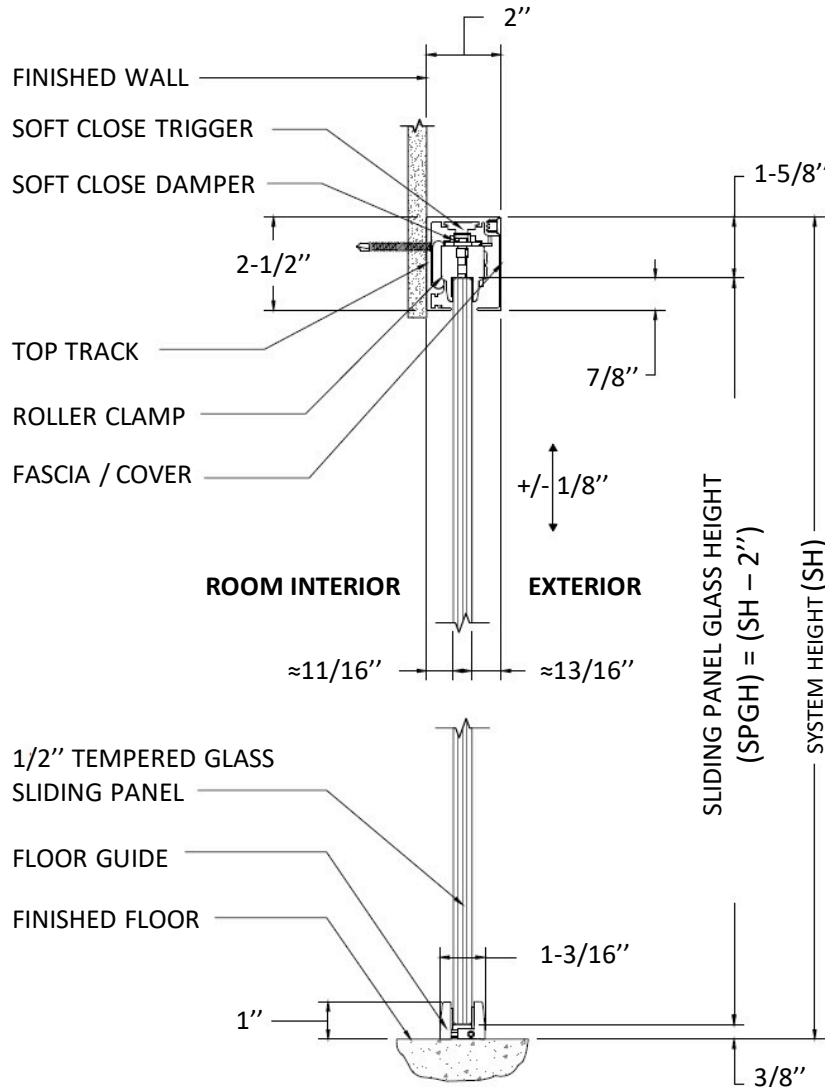


*see online for available finishes



*see online for available finishes

GLASS PANEL HEIGHT (GPH)



GLASS PANEL WIDTH:

Note: Dimensioned from finished jamb to finished jamb. Recommended amount of overlay $\geq 2''$ (50 mm).

Note: May need to add additional overlay 2'' of overlay on opposite side of opening (strike jamb)