

RESIDENTIAL PRODUCTS: CASEMENT & AWNING WINDOW PRODUCTS

AT0003-0516

Maxim® LP™ Casement & Awning Lock

The Maxim® LP™ lock offers the same great performance as the traditional Maxim® sash lock, but features a unique low profile design by extending less than ½” into the home. The new streamlined design sports a crisp modern look while minimizing interference with window treatments.

This smooth innovative non-handed design reduces operating force by 15-20% making locking and unlocking your window even easier. The closed operating system minimizes the opportunity for air, water, light, and bug intrusion.

Substituting the traditional Maxim lock for the Maxim LP requires no tooling changes and is virtually a drop in solution. Not only will manufacturers appreciate the ease in switching locks, but homeowners will also be excited about the possibility of upgrading to a low profile solution. The Maxim LP integrates beautifully with vinyl, composite, and aluminum windows.



Maxim® LP™



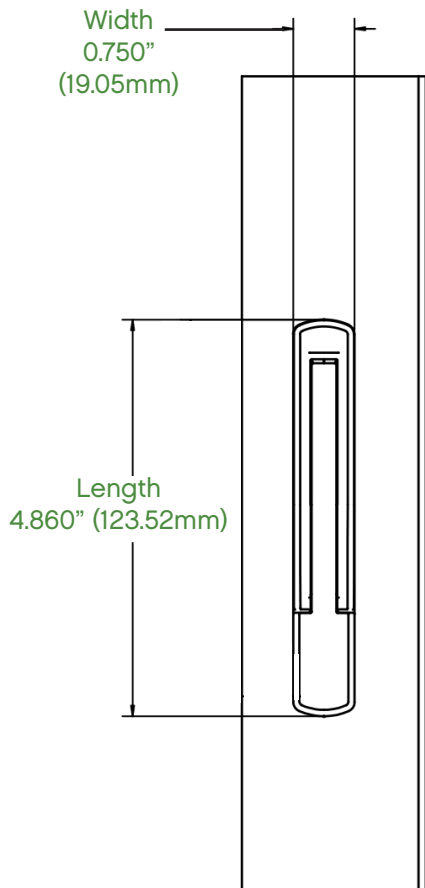
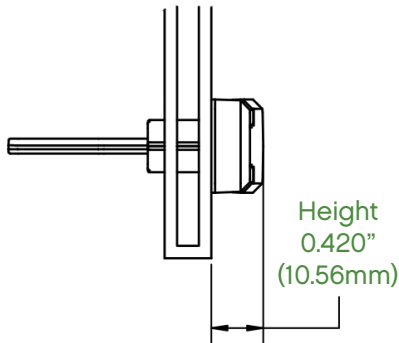
Secure your sash with a product you trust.

Key Features & Benefits

- ✓ Contemporary styling
 - Modern aesthetics
- ✓ The lock is low profile (LP)
 - Minimal interference with window treatments
 - Minimizes appearance
- ✓ Reduced operating force
 - Smooth and easy operation
- ✓ Non-handed design
 - Minimizes inventory complexities
- ✓ Closed system
 - Minimizes air, water, light, and bug intrusion

RESIDENTIAL PRODUCTS: CASEMENT & AWNING WINDOW PRODUCTS

AT0003-0616



Product Name: Maxim® LP™

Product Applications

- Low profile lock for casement & awning windows
- Length (top to bottom of handle) 4.860"
- Width 0.750"
- Height (extending into the home) 0.420"

Material

- Zinc die-cast

Twenty Seven Finishes

- Antique Brass, Faux Bronze, Black, Aluminum, Bronze, Coppertone, plus 21 more finishes available

Compatible Window Materials

- Vinyl, composite, or aluminum

Part Numbers & Quantities

Description	Part Number	# / carton
Lock, Maxim LP Sgl Pt	24.40.xx.001	50
Lock, Maxim LP Mid	24.42.xx.001	50
Lock, Maxim LP Long	24.43.xx.001	50
Support Plate (need one per lock)	33823	50

*xx denotes finish code

** Please contact your AmesburyTruth sales representative for assistance if your current process uses a step cut application