

Instruction Manual

iBox shower box system

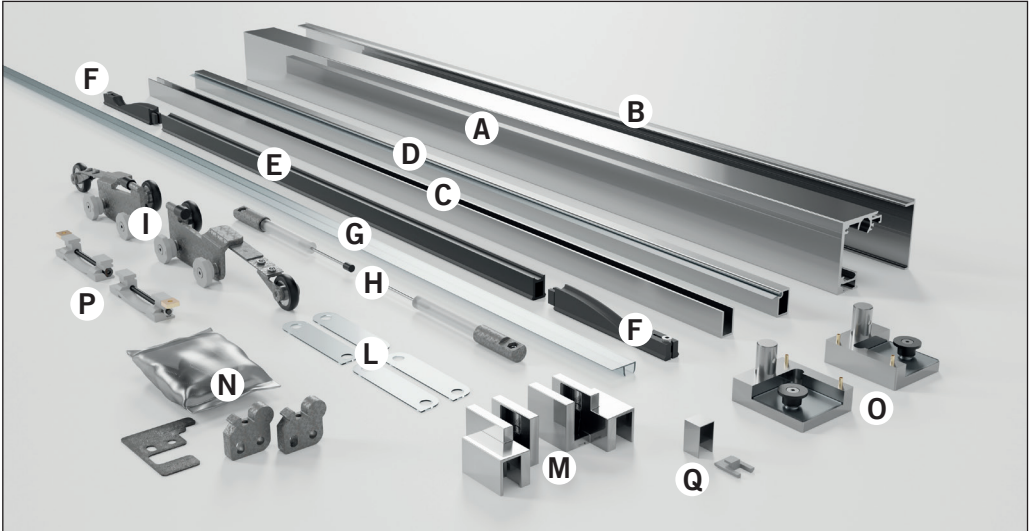
kit01 - In Niche
2 wall connections



kit02 - With 90° return panel
1 wall attachment, 1 glass attachment



The kit includes



A = Header profile
B = Cover for header profile
C = U-Channel for fixed glass
D = Door threshold
E = Black slide rail
F = Sloping planes for slide rail
G = Transparent PVC vertical gasket
H = Pair of soft-close mechanisms

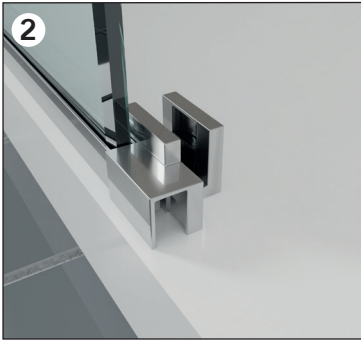
I = Pair of trolleys
L = Gaskets
M = Right and left floor guide
N = Wall mounting kit complete with screws, wall anchors, allen key and template.
O = Right and left glass mounting kit
P = Anti-jump locks
Q = Aesthetic caps and cover

Fixed Panel Installation:

1- Place the bottom U-Channel (C – included) and silicone it to the shower tray.

The use of silicone, clamps, or a vertical U-channel (not included) will be required to hold the fixed panel securely.

Insert the fixed panel making sure it is perfectly level.



2- Position the floor guide (M) (right and left provided) and secure it with silicone.



3- Insert the threshold (D) by trimming it with this measurement: **Z + 10 mm**

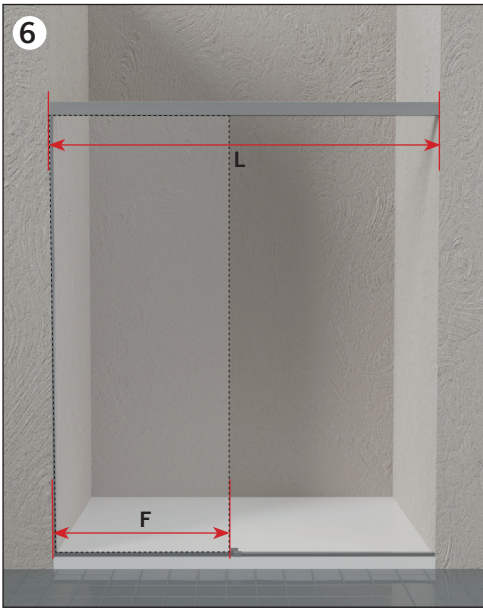


4- Put in the end cap (Q) by first shearing the notch on the wall side and silicone it to the shower tray.



5- Silicone the threshold (D)

Header Installation

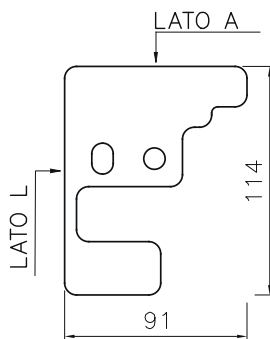
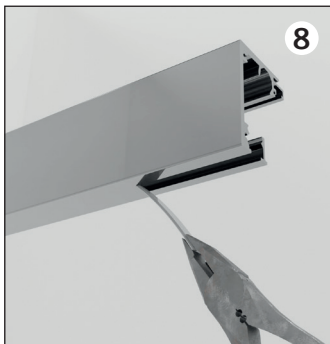
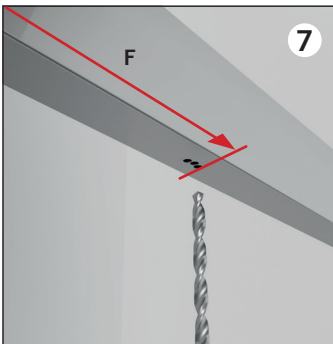


6- Cut the header (A) to the size of the niche L. Calculate on the upper profile the width of the fixed panel (F)

7- Drill holes with a bit, making 2 – 3 holes close together corresponding with the width of the fixed panel.

8- Remove the tap from the header with pliers, using a steady, continuous motion to avoid burrs from forming. This opening will accommodate the fixed panel into the header.

9- Place the aesthetic cover (Q) at the drilled location before placing the fixed panel.

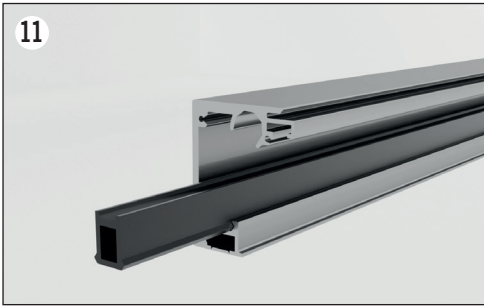


10- Position the header template and mark the wall for the holes to be drilled at desired height.

Hold the template with Side B facing out of the shower and Side A facing up, making sure it is perfectly level. Drill holes with a 6mm (1/4") drill bit.

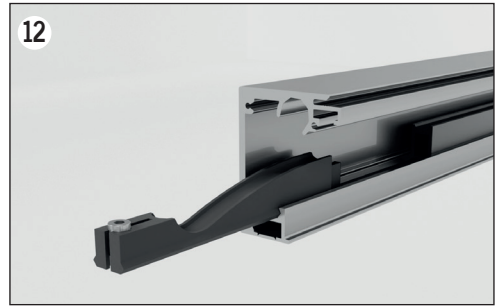
***Caution: not to be used with a 90° return panel**

HEADER ASSEMBLY

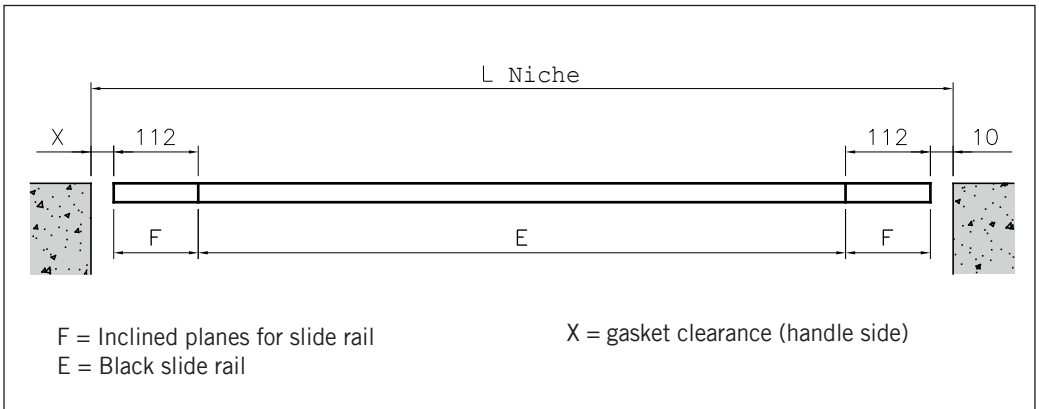


11- After cutting down the header to the niche size L, insert the trimmed black rail (E) with this measurement:

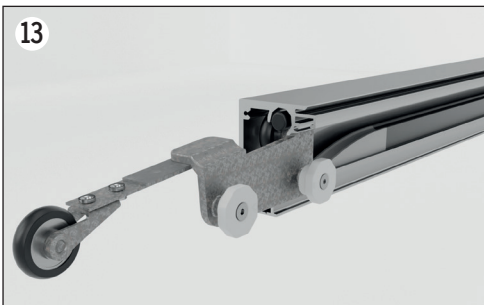
L niche - 2F - 10 - X



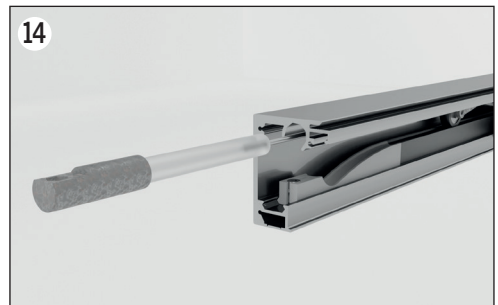
12- Insert an inclined plane (F) on each side of the header and fit it to the black rail. Position the end of the inclined planes 10 mm from the fixed panel and 8 mm from the sliding door side and lock them in with the screw.

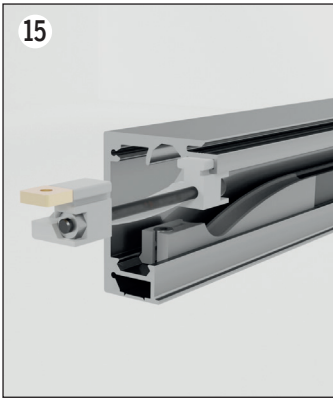


13- Insert the two trolleys (I) holding the spring foils outward.



14- Insert the soft-close mechanisms (H) one on each side of the header, into the circular housing with the rubber stopper pointing in and flat side up.





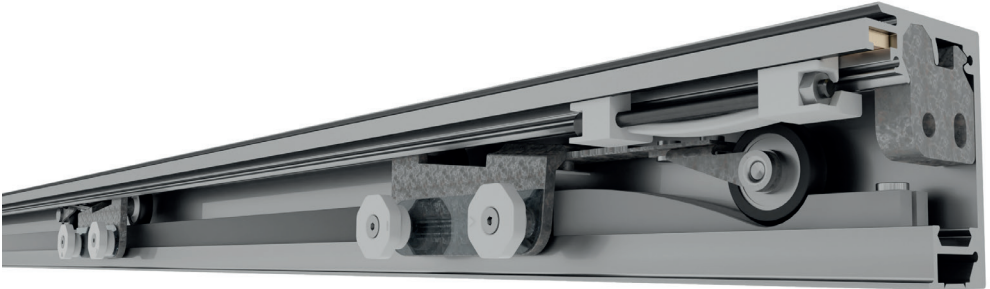
15- Insert the two anti-jump locks (P), one on each side of the header, not the appropriate seat and leave them loose.



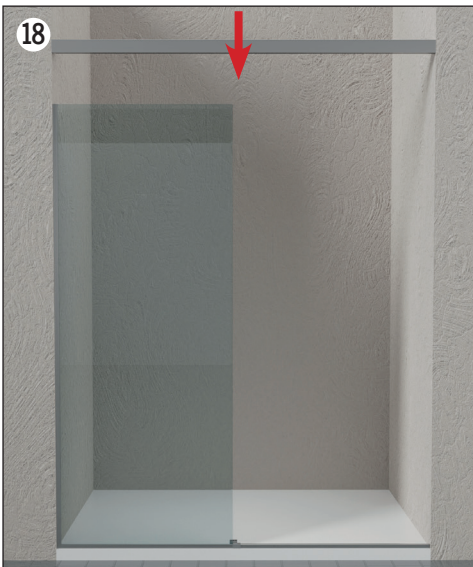
16- Insert the wall attachment plate from the wall side and secure it with the appropriate grub screw.



17- In cases of glass-to-glass application, use the appropriate attachments (O, right and left included)

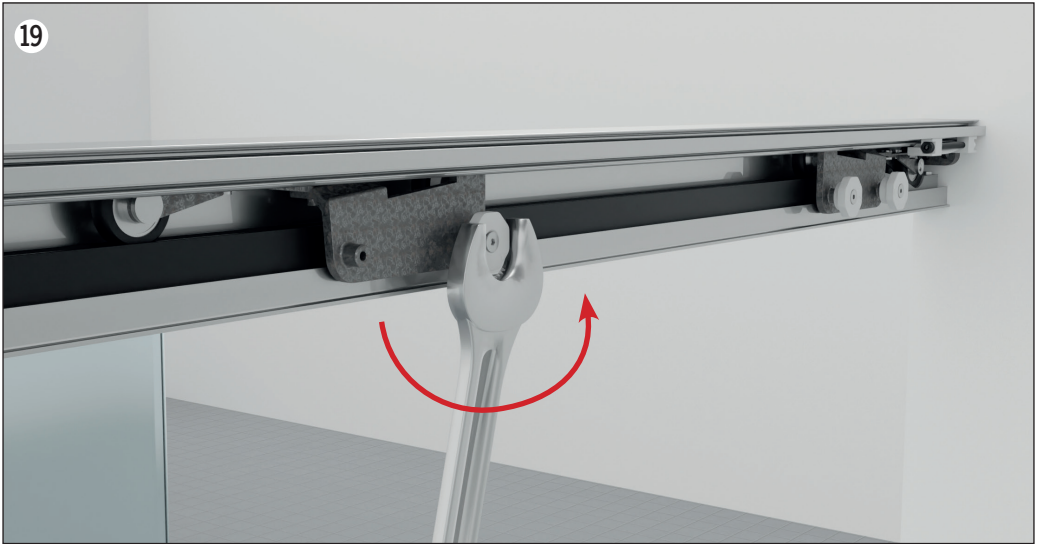


Completed Header Profile

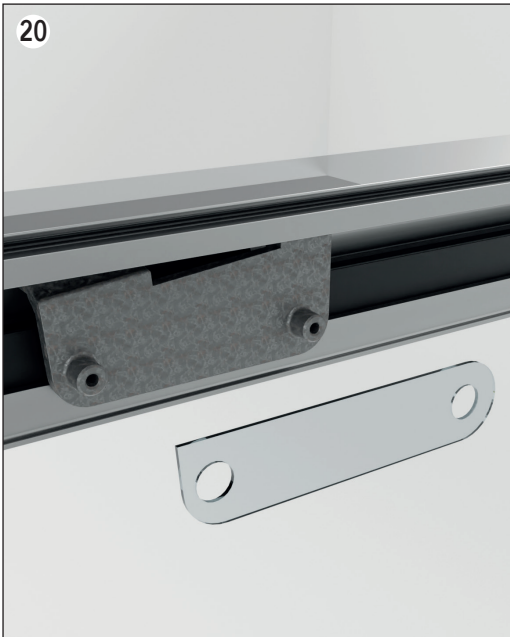


18- Once the header is assembled, lower it from the top so that the fixed panel fits into the header tap. Attach the header to the wall in the previously drilled holes, making sure it is level. Tighten the M5 grub screws of the plates.

SLIDING DOOR INSTALLATION:

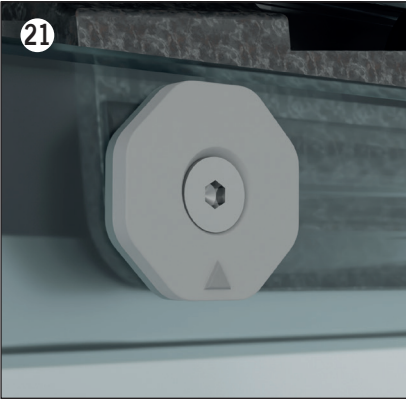


19- Remove the plastic, octagonal studs from the trolleys.

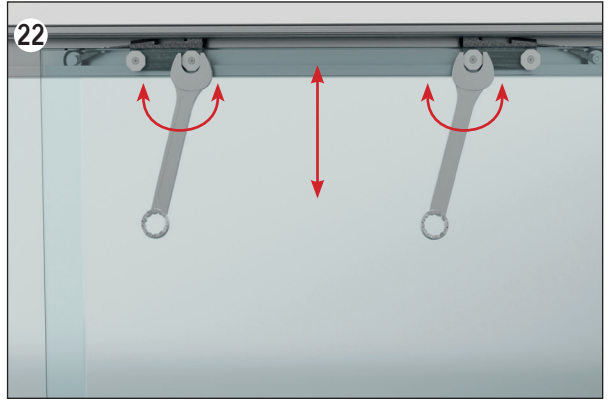


20- Bring the door inside the shower stall. Place the 3 mm gasket on the trolleys. Slide the door first into the floor track, then straighten it and secure it to the trolleys by repositioning the octagonal studs and screwing them on. Do not tighten all the way.

ADJUSTMENTS



21- Place the two octagonal studs with arrows pointing upward.

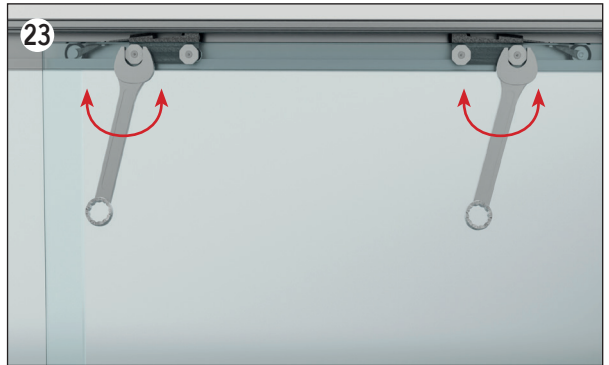


22- Level the door by rotating the two center octagonal studs left or right.

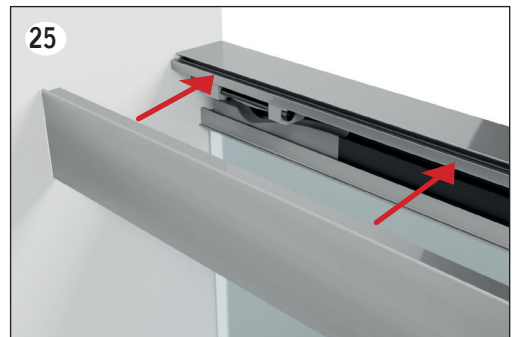
Caution: Lift the glass as little as possible.

23- The two outer octagonal studs are used to adjust the force of the spring-loaded foil by speeding up or slowing down the closing movement.

Adjustments of the inclined planes and soft-close mechanisms cause the door to slow down and prevent abrupt opening and closing.

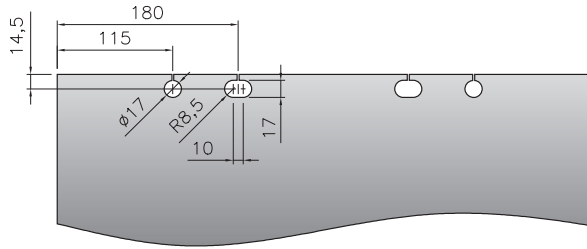


24- Once all adjustments have been made, finish tightening the octagonal stud screws and soft-close mechanisms. Adjust the anti-jump locks so that the fin is flush against the glass.

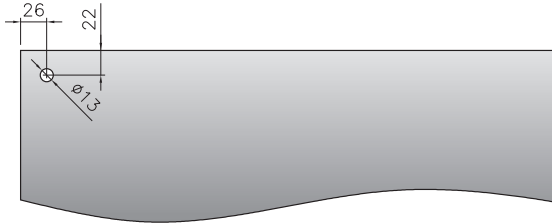


25- Take the cap for the header and place it in spot inside shower and press with the palm of your hand until it snaps into place.

Glass Fabrication



Glass Door Fabrication



90° Return Panel

- Glass Heights
- A) Sliding Door
 - B) Fixed Panel
 - C) 90° Return Panel

