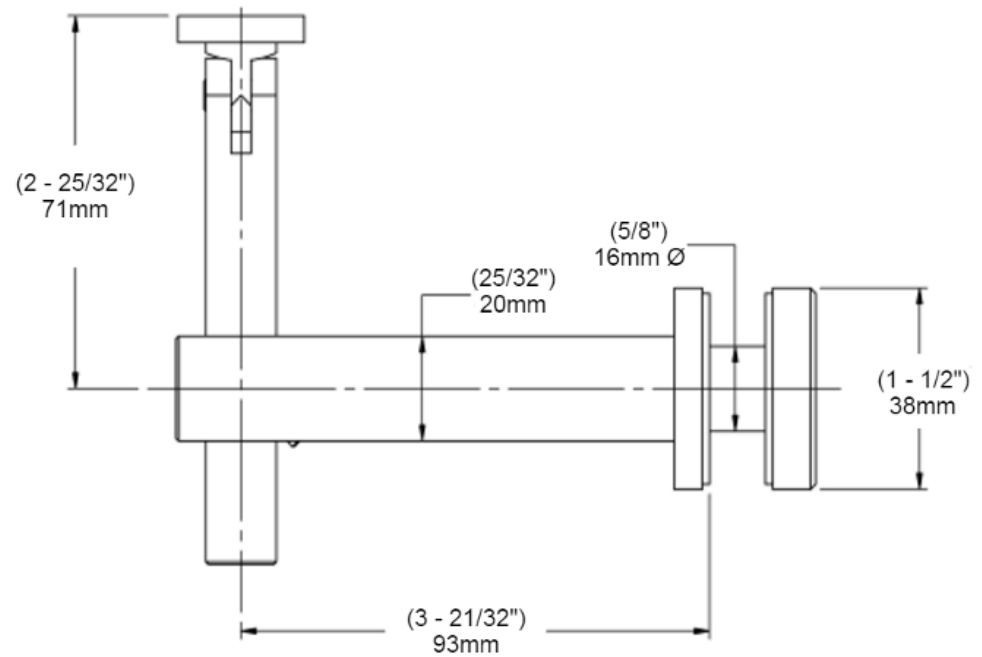
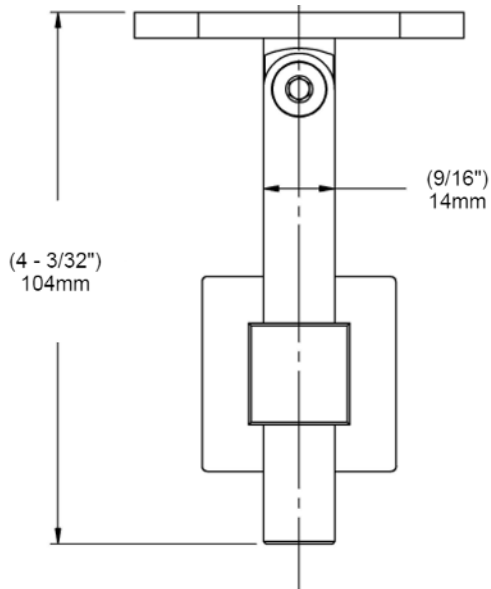


Glass Mount Height & Angle Adjustable Bracket

Code No.: SSZH40216170

- For Glass 10 - 25mm (3/8" - 1")
- Hole Fabrication 19mm (3/4")





- Pour verre 10 - 25mm (3/8" - 1")
- Fabrication de trou 19mm (3/4")

