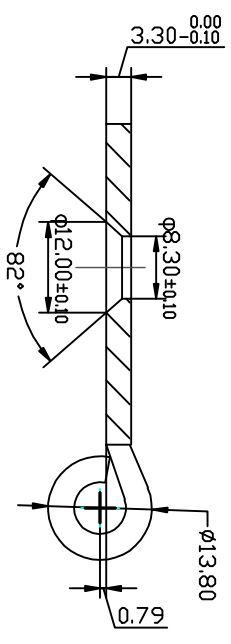
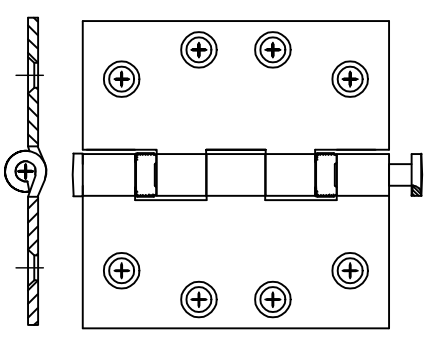
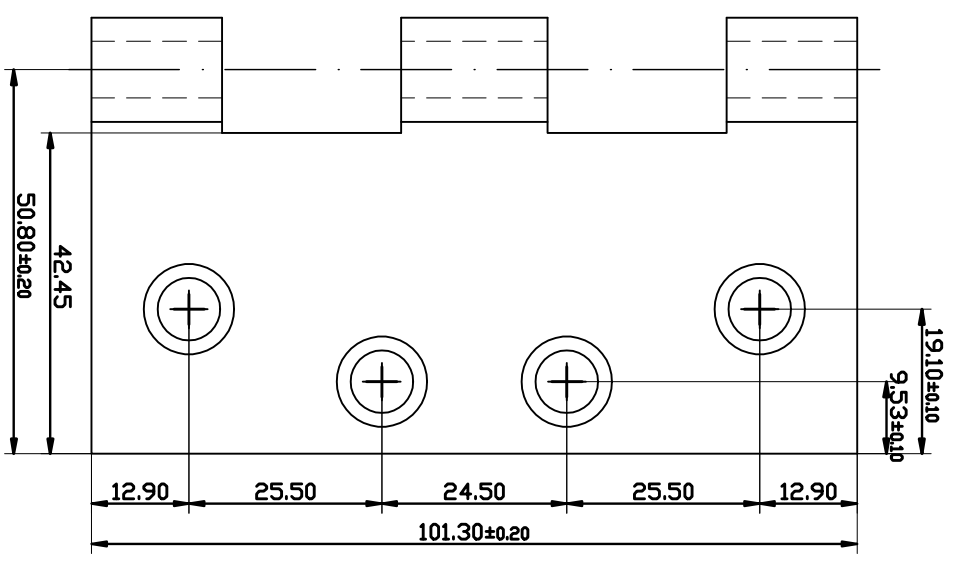
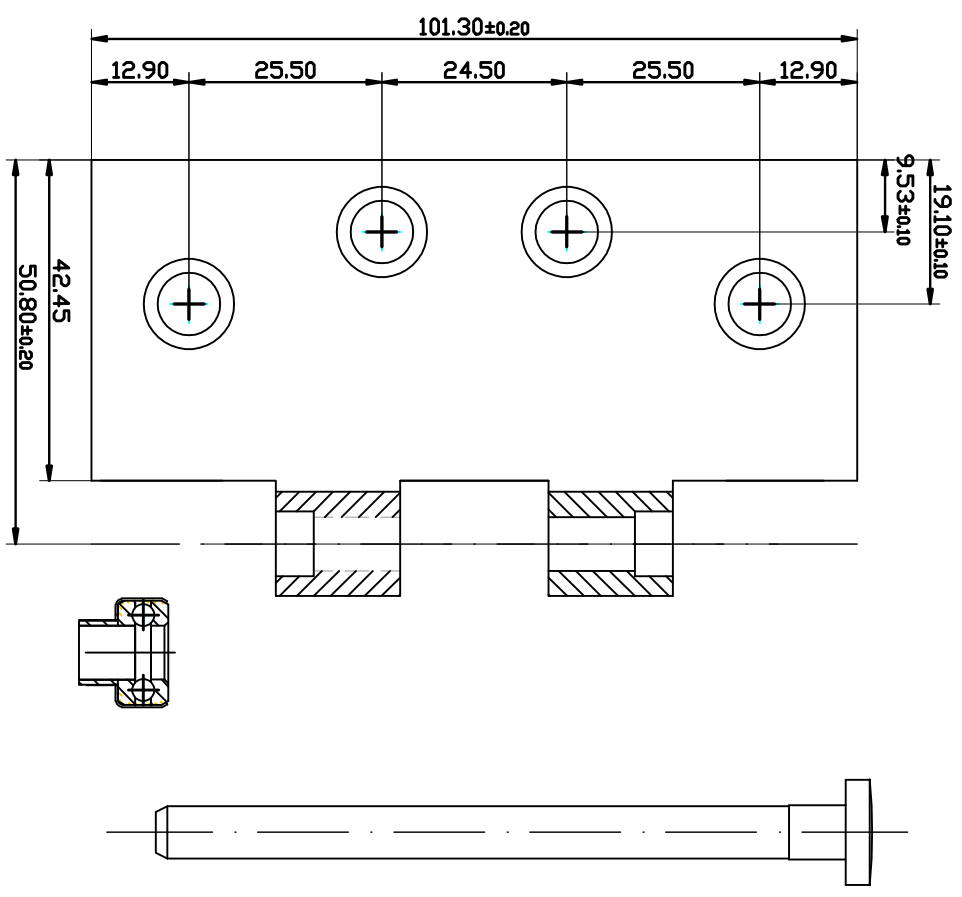


OH drawing no 4822
 factory drawing no

surface roughness
 finish
 heat treatment



4.0"X4.0"X3.3MM-2BB Commercial hinge(4822)		scale	1:1	customer	
design	2009.2.15	piece		material	steel
check					
approval					