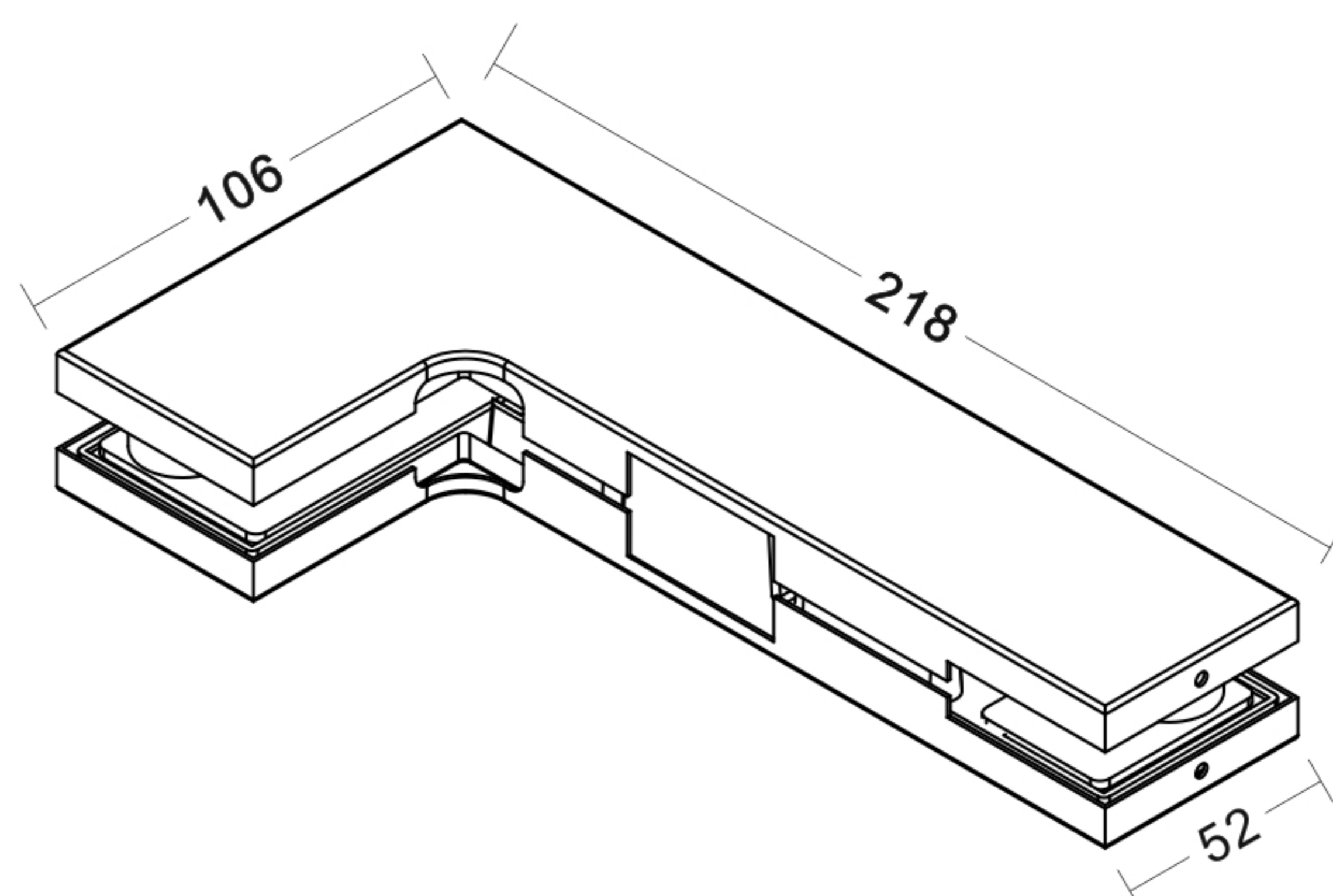


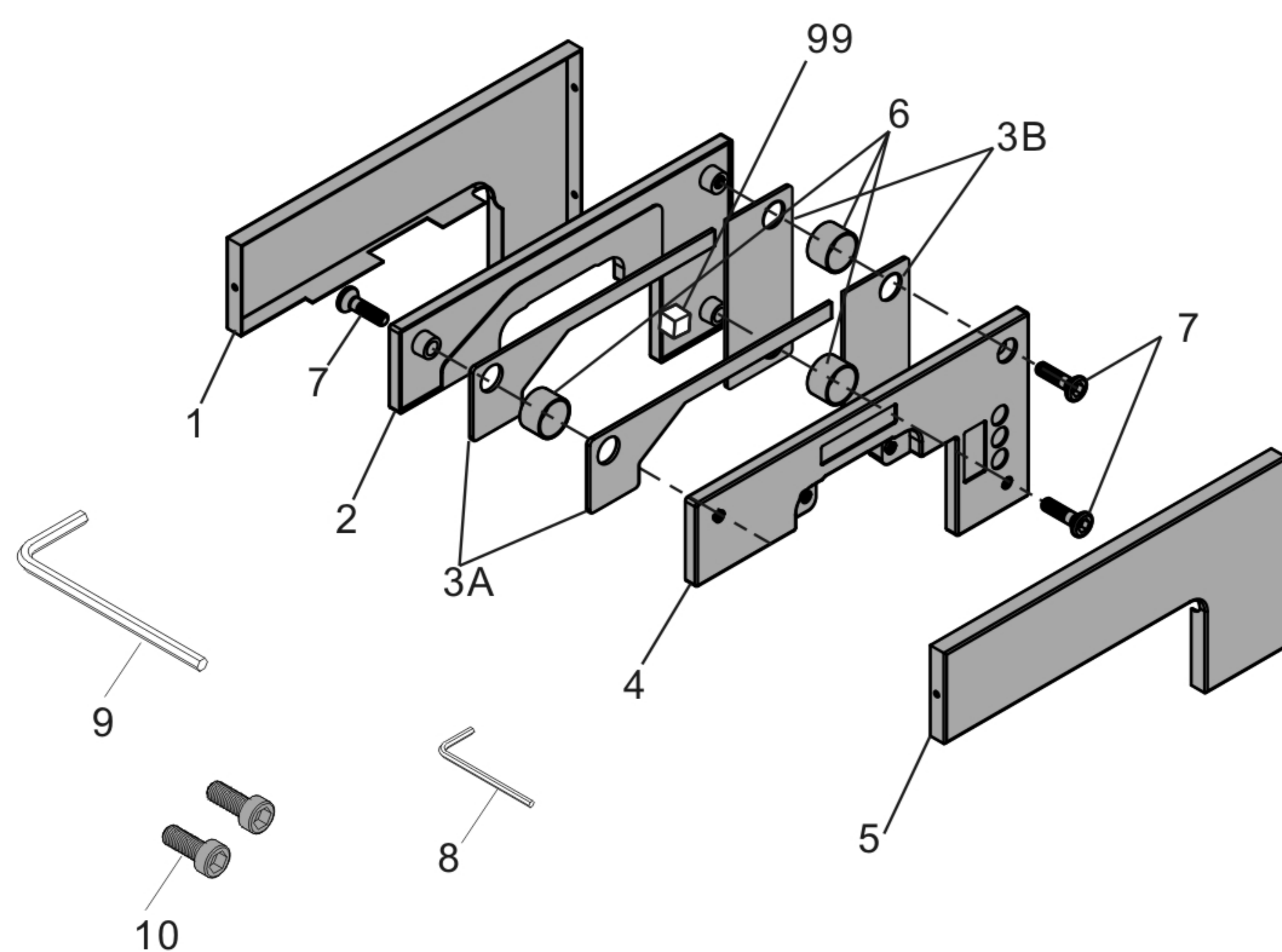
# 701RPF007170 Corner Pivot Patch Fitting



## Installation Manual



### ► Detailed Diagram of Patch Fitting Components

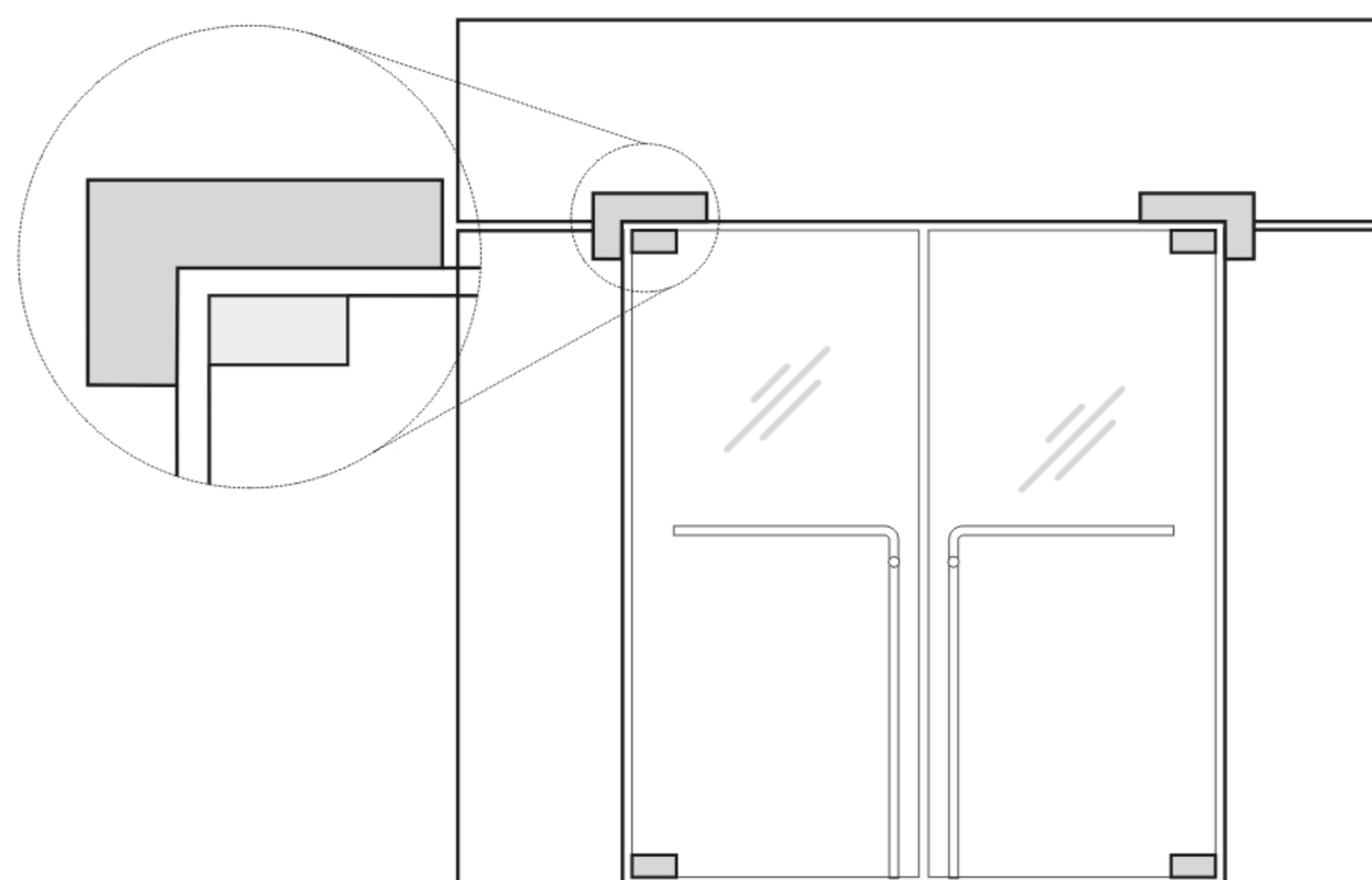
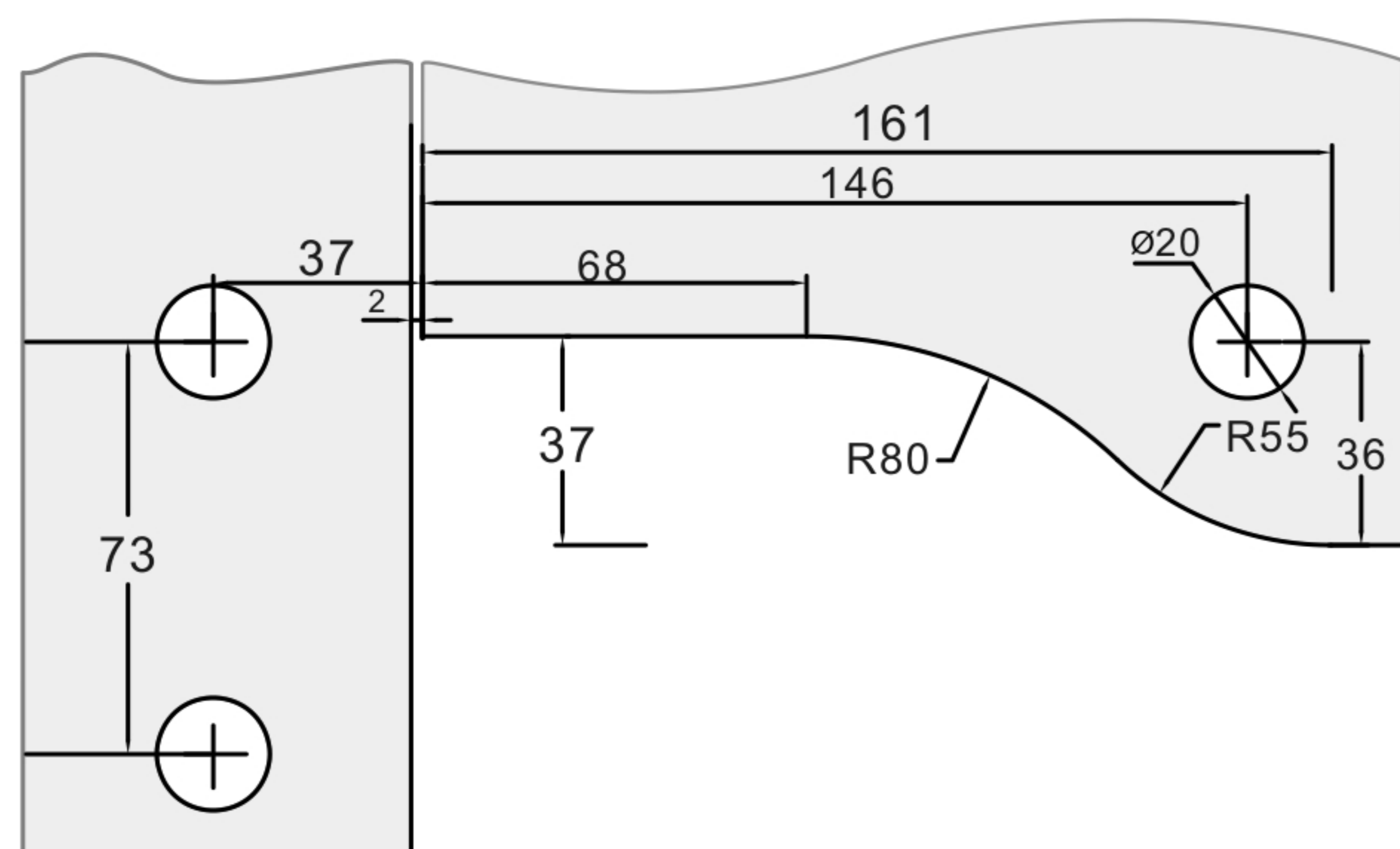


CN	Name	Qty
1	Cover A	1
2	Bracket A	1
3	Gasket A	2 *
	Gasket B	2 *
4	Bracket B	1
5	Cover B	1
6	Washer	3
7	Screw M6×25mm	3
8	Allen key 1.5mm	1
9	Allen key 5mm	1
10	Screw M6×15mm	2
99	Square plastic insert	1

(Square plastic insert(99) is used to protect parts during packaging and shipping. It is not needed for installation.)

\*An extra set of gaskets is included in the packaging.

### ► Glass Measurement



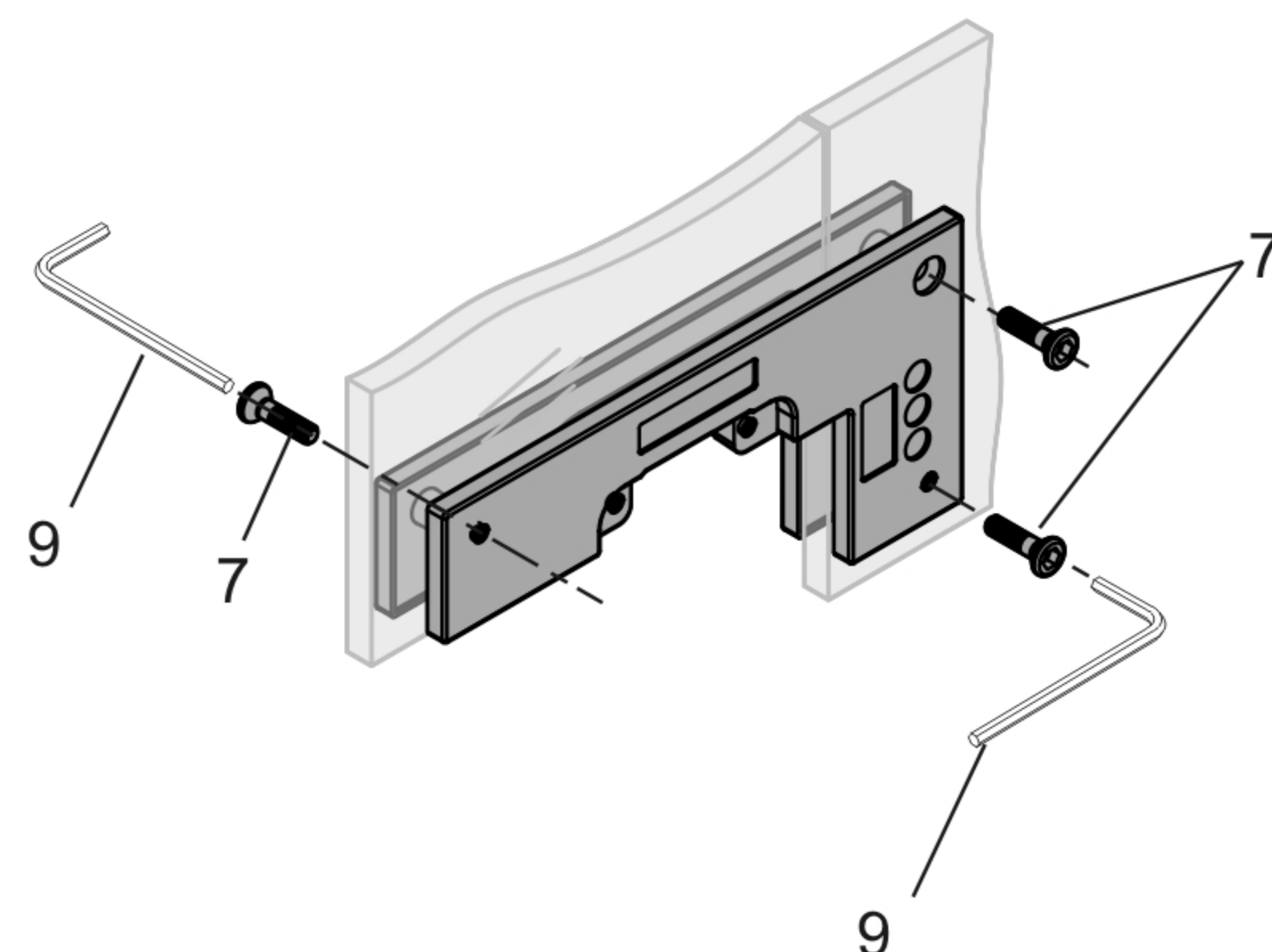
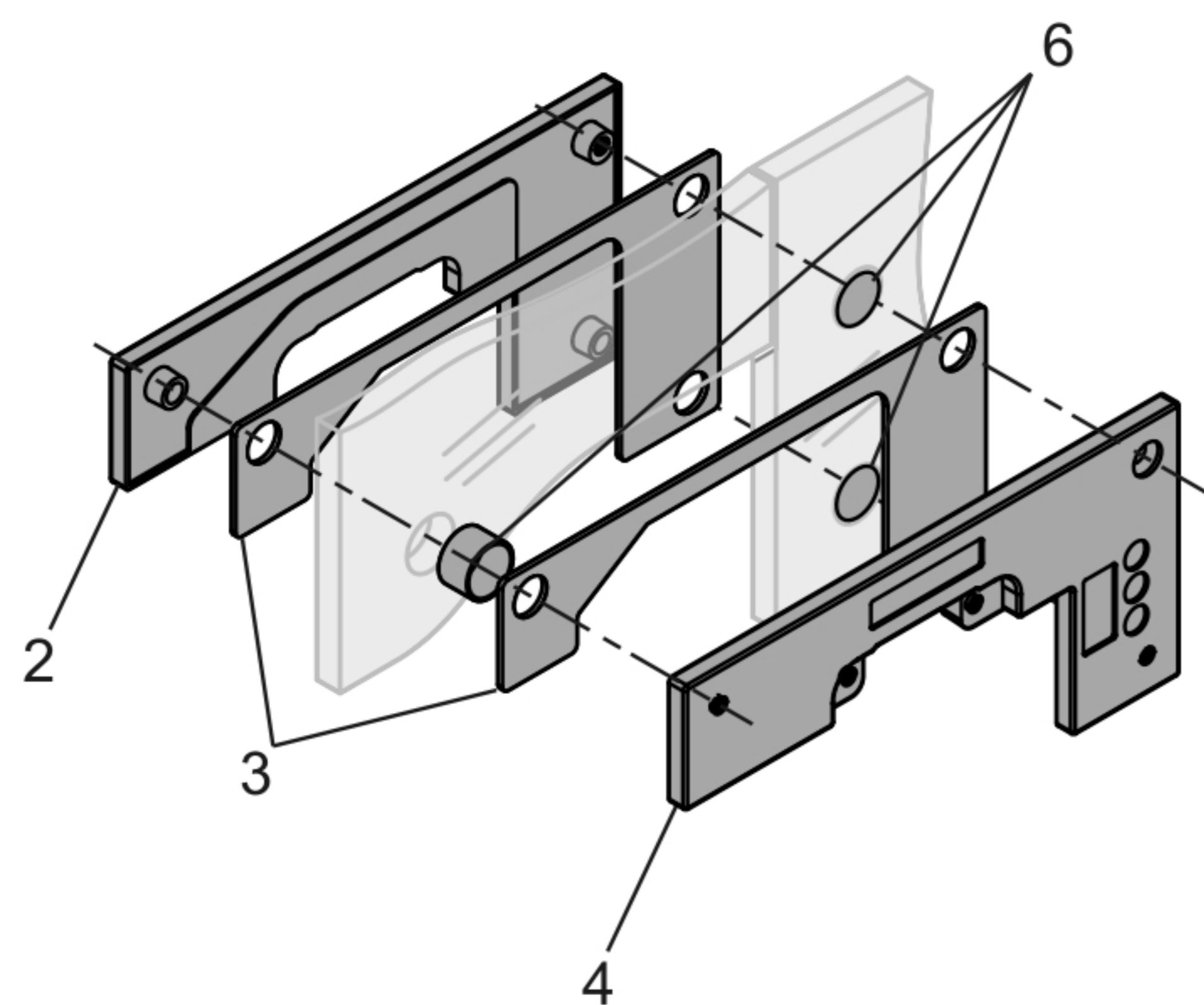
# 701RPF007170 Corner Pivot Patch Fitting



## Installation Manual

### ► Installing Bracket A and B of Patch Fitting

1. Remove the paper adhesive tape from gasket A and B(3) and adhere them onto the bracket A(2) and B(4)
2. Place a washer(6) in each of the pre-drilled 20mm diameter holes and align the glass with bracket A(2) to insert one of the M6 screws(7).
3. Align bracket B(4) with the M6 screw and use the 5mm Allen key(9) to loosely tighten the screw.
4. Insert the remaining two screws and then fully tighten all three screws.



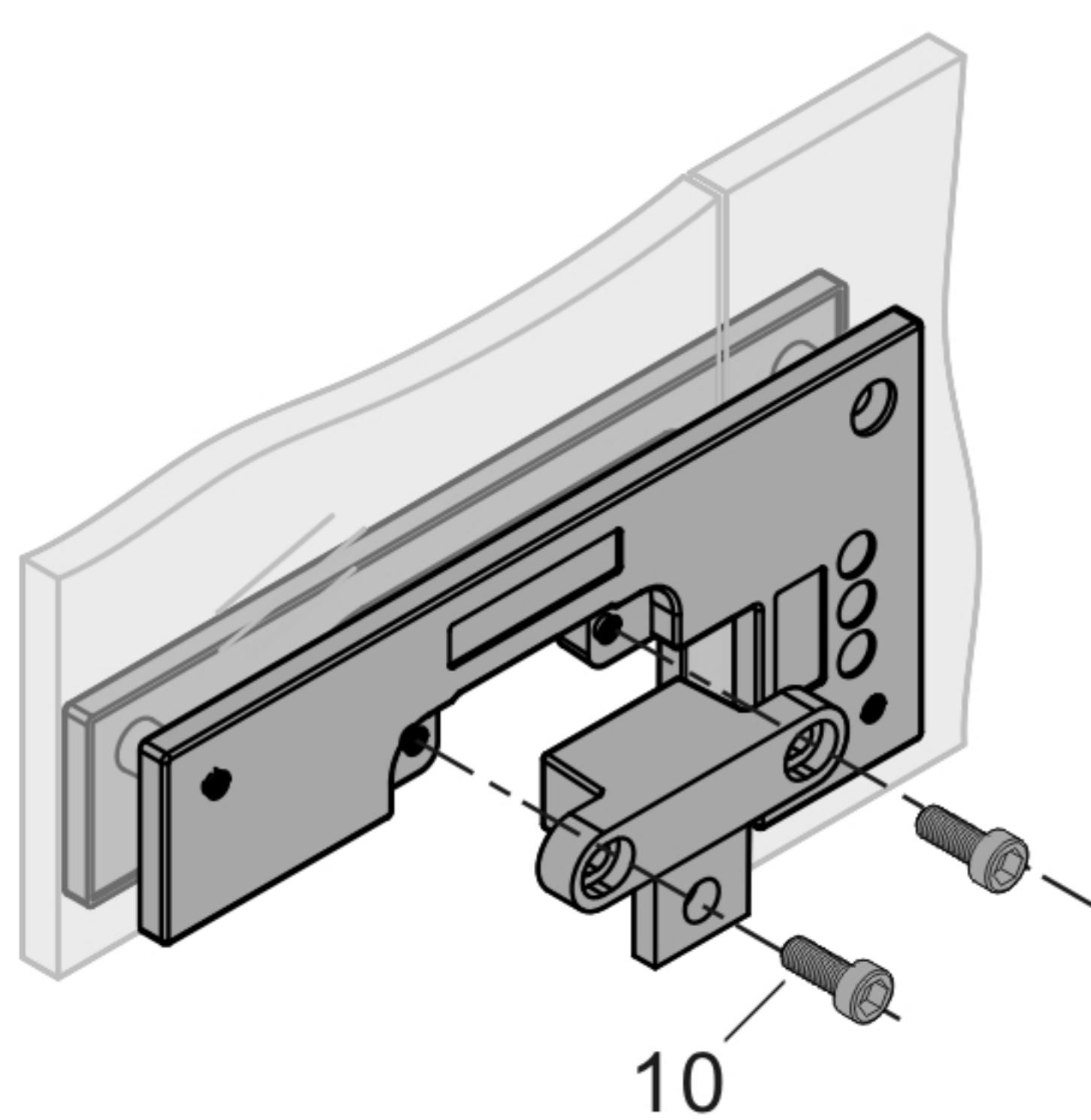
### ► Optional Insert

1. Oval pivot
2. Door stopper

Place the chosen insert into the patch fitting and use the M6 screws(10) to screw into place.

\* This step is optional and is not necessary for complete installation.

\*\* Be sure to install all optional inserts before installing any covers.



Available Inserts	
701RPFI300SD	
701RPFI306SD	

### ► Installing Cover A and B

1. Align cover A(1) with bracket A(2) and cover B(5) with bracket B(4).
2. Use the 1.5mm Allen key(8) to turn the fixing screws counter-clockwise to tighten the covers into place.

\* Do not apply too much pressure when installing the covers to avoid deforming the shape.

