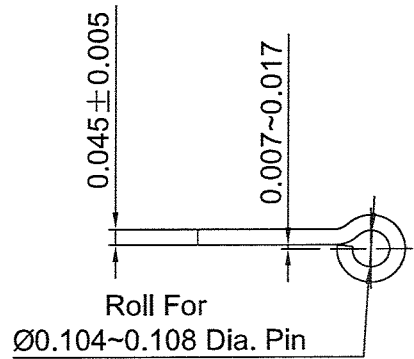
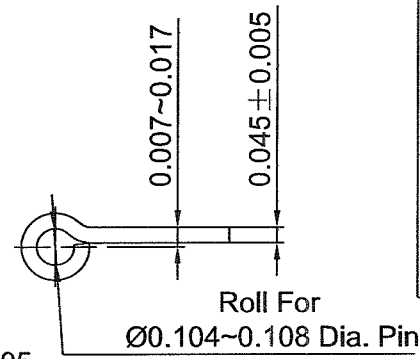
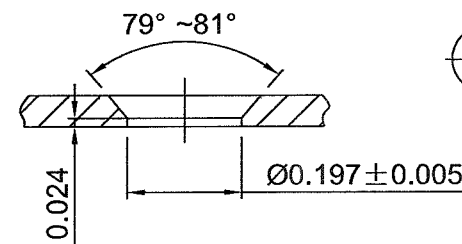


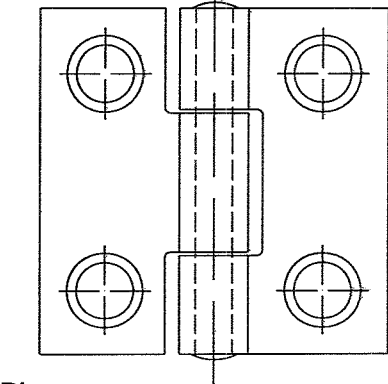
Narrow Butt Hinge With Loose Pin



dimension  
of Countersunk



Ø0.104~0.108 Dia. Pin  
Spun on the Ends



Narrow Butt Hinge With Fixed Pin

Tolerance  
All Tolerance unless  
otherwise noted : ±0.015"

						Narrow Butt Hinge 1-1/2"x1-1/2"					
MARKER	COUNT	AREA	REVISION	APPROVE	DATE	REVISION	WEIGHT	SCALE	DRAWING NO.	PROJECTION	
DRAWING			STANDARDIZATION								
BESTINGING									MATERIAL	UNITS	
CHECK											
TECHNICS				APPROVE				TOTAL 1 PAGE	NO 1 PAGE	FINISH	TOLERANCE