

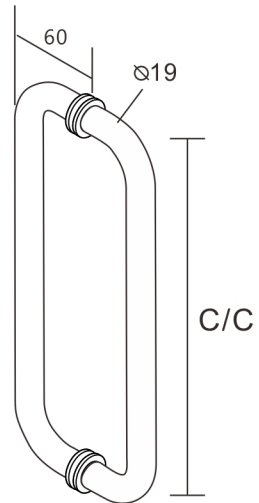
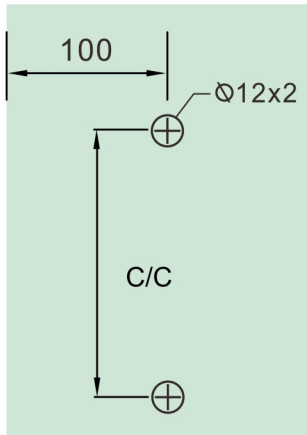
# Round Tubular Pull Handle

## Installation Manual

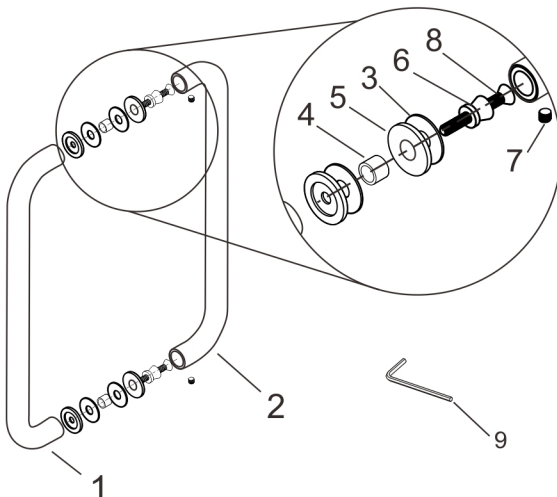
### ► Measurements

CODE	Material	C/C
87D3R1046XXX	SUS316	6"

\*Available in several finishes



### ► Components



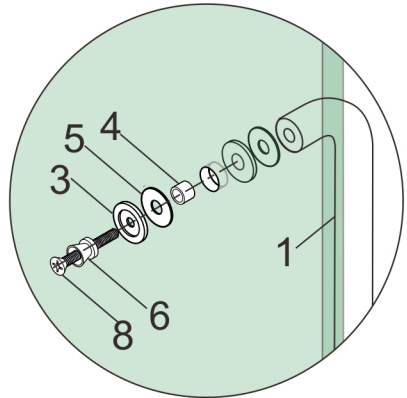
#	Name	Qty
1	Exterior Handle	1
2	Interior Handle	1
3	Metal Washer dia30mm	4
4	Plastic Washer	2
5	Gasket	4
6	Collar	2
7	Set Screw M5X5mm	2
8	Screw M6x50mm	2
9	Allen Key 2.5mm	1

# Round Tubular Pull Handle

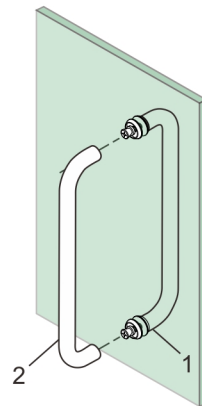
## Installation Manual

Install the exterior handle as shown with one gasket and metal washer on each side of the glass.

- ★ Phillips screwdriver not included
- ★ Use the 50mm screw for glass doors 6-12mm thick



Install the interior handle onto the collars.



Install the set screws and tighten with the Allen key to finish the installation.

