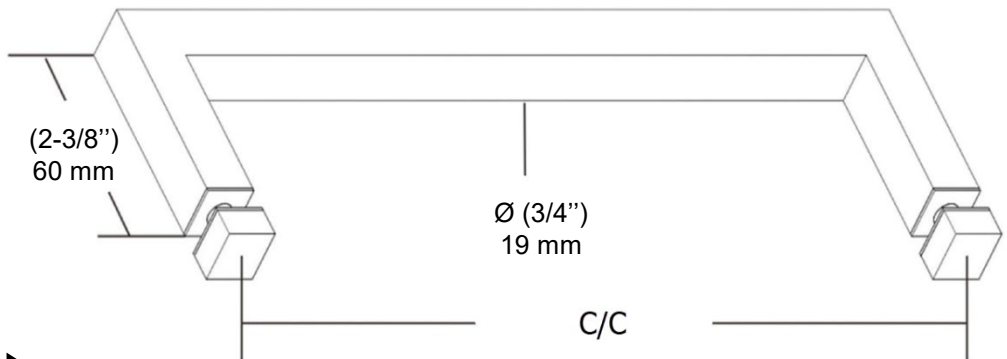
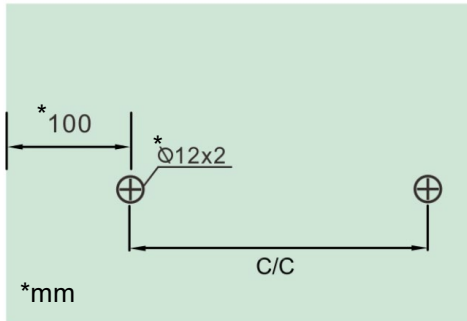


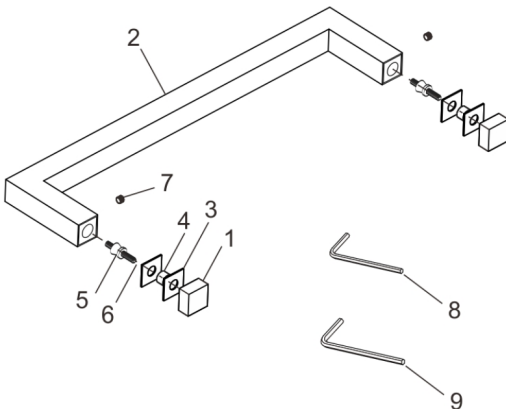
## Square Towel Bar

Code	Material	C/C
8702S100018xxx	SS304	(18") 457 mm

### ► Measurements



### ► Components

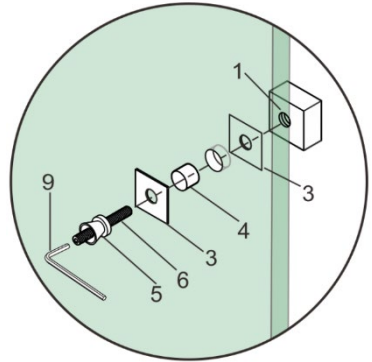


#	Name	Qty
1	Knob	2
2	Towel Bar	1
3	Gasket	4
4	Plastic Washer	2
5	Collar	2
6	Screw M6x35mm	2
7	Set Screw M5x5mm	2
8	Allen Key 2.5mm	1
9	Allen Key 3mm	1

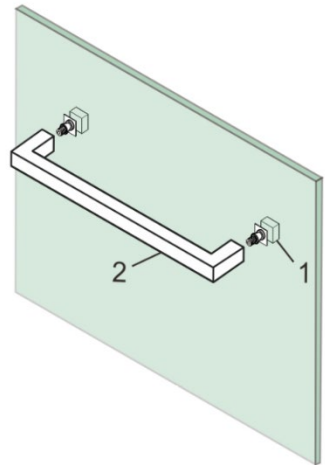
## Square Towel Bar

### ► Installation

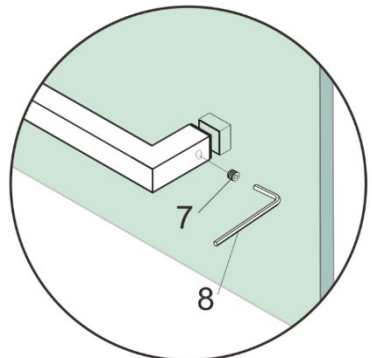
Use the 3mm Allen Key to install the knob as shown with a gasket on each side of the glass.



Install the towel bar onto the collars.



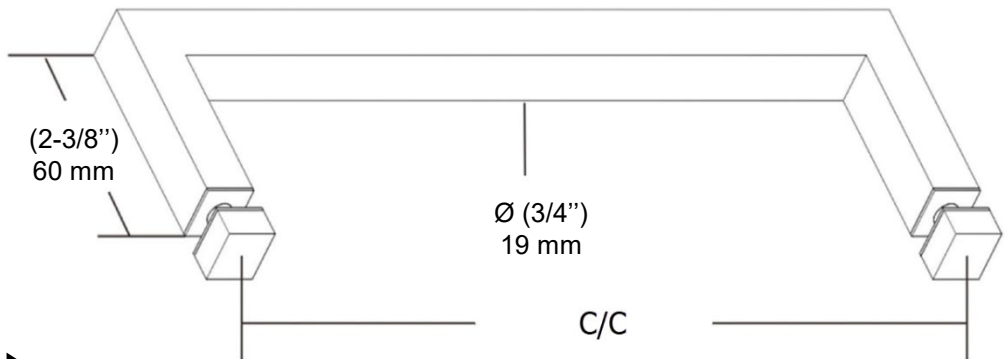
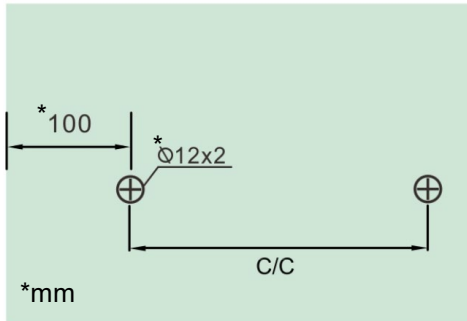
Install the set screws and tighten with the Allen key to finish the installation



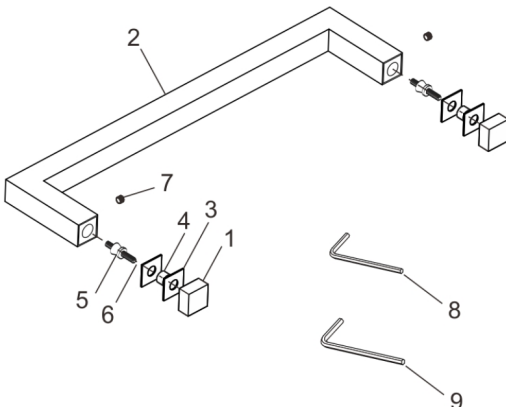
## Porte-serviettes carrée

Code	Matériel	C/C
8702S100018xxx	SS304	(18") 457 mm

### ► Dimensions



### ► Composantes

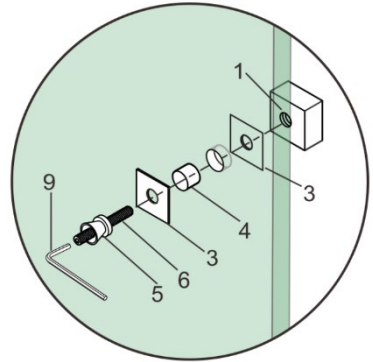


#	Nom	Qté
1	Bouton	2
2	Porte-serviettes	1
3	Joints	4
4	Rondelles en plastique	2
5	Collier	2
6	Vis M6x35mm	2
7	Vis M5x5mm	2
8	Clé Allen 2.5mm	1
9	Clé Allen 3mm	1

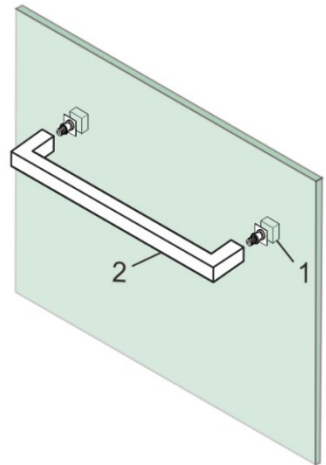
## Porte-serviettes carrée

### ► Installation

Utilisez la clé Allen de 3 mm pour installer le bouton comme indiqué, avec un joint de chaque côté de la vitre.



Installez le porte-serviettes sur les colliers.



Install the set screws and tighten with the Allen key to finish the installation

