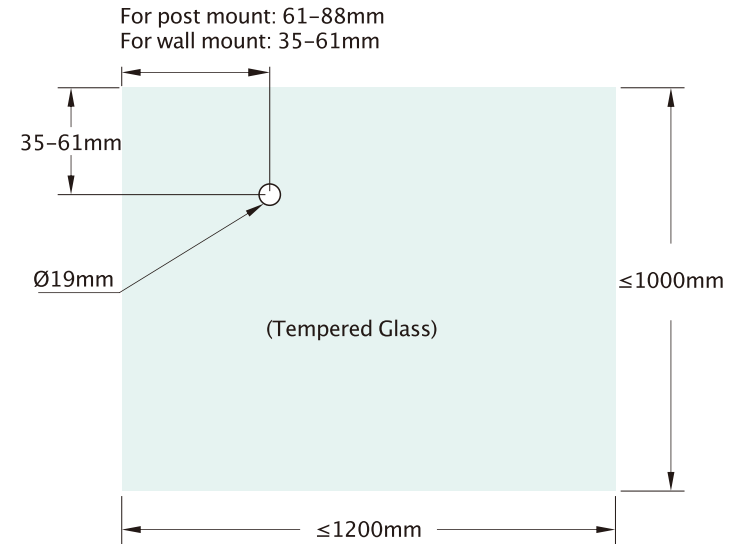
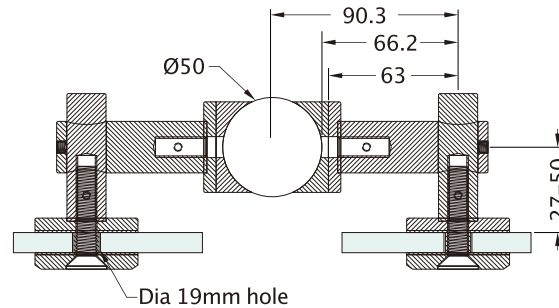
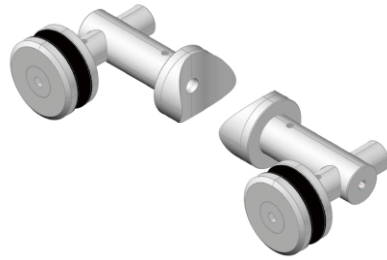


Technical Detail

Adjustable double arm glass connector

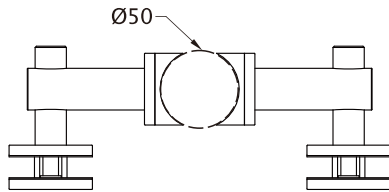


MODEL	Glass thickness	Glass type	Max. glass weight
HR14080305012	12mm glass	Tempered	40kg

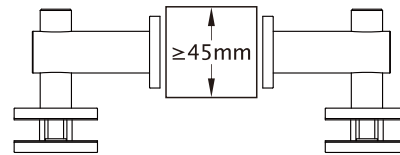
Finishes = Brushed stainless steel

Installation Instructions

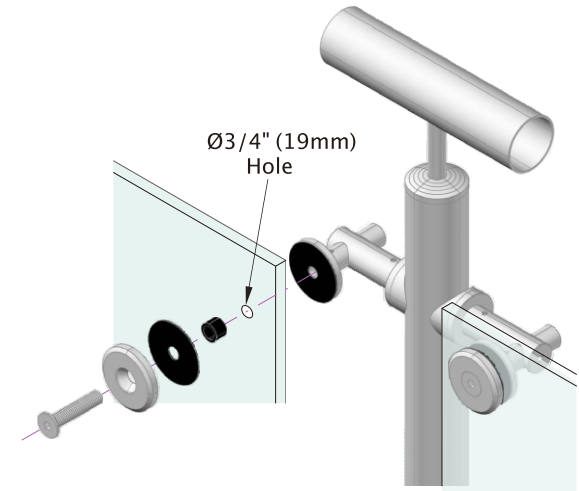
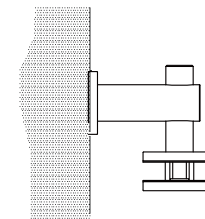
Option 1: Round post mount



Option 2: Square or rectangular post mount



Option 3: Wall Mount



Step 1. Install the double arm connector onto the post or wall using one M10×50mm screw for each side.

Step 2. Align the 19mm diameter hole on the glass with the glass connector and install as shown.



Tools required for installation:

- Spirit Level
- Measuring tape
- Power drill
- 8 - 10 mm drill bit for installation on stone

Please see safety instructions on power drill before starting assembly