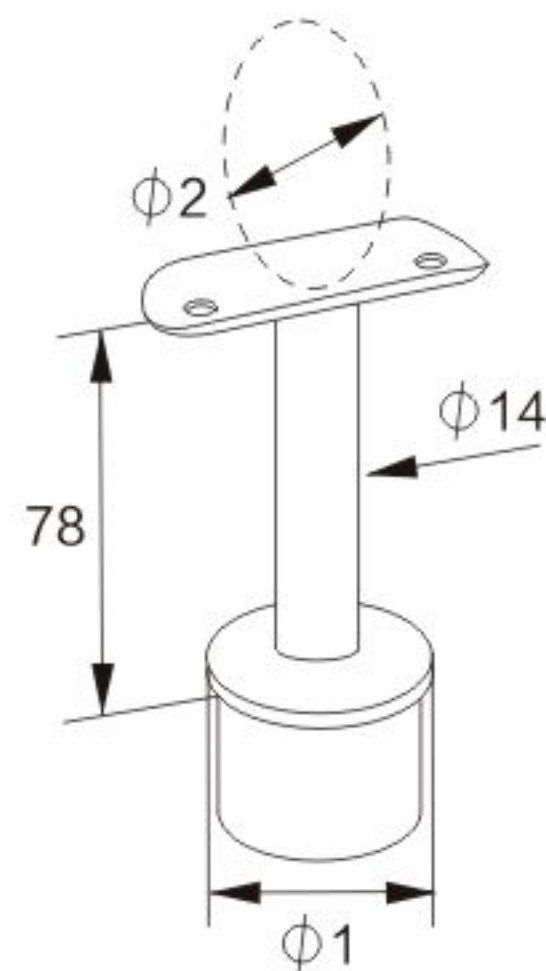


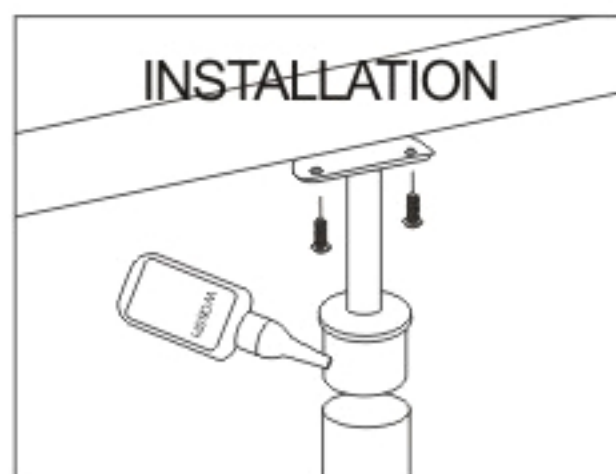
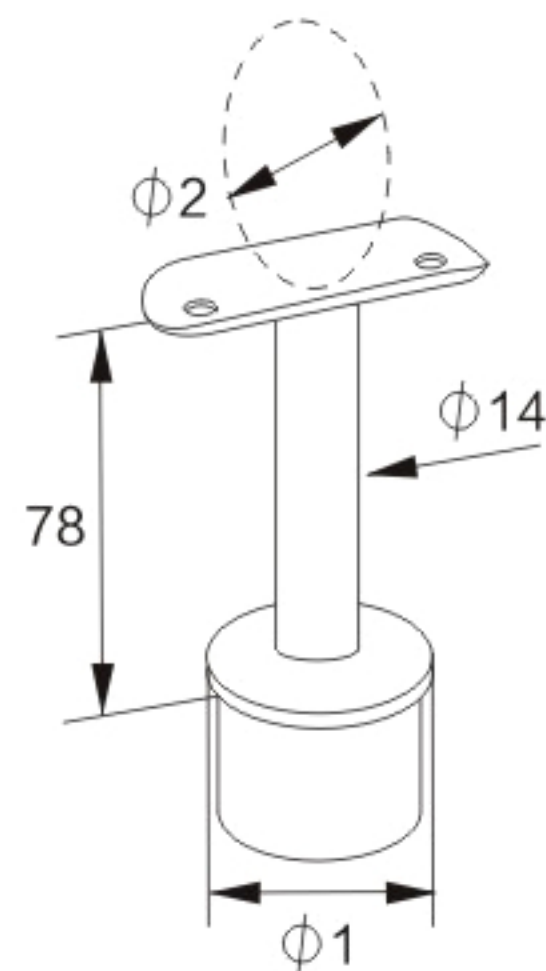
# Fixed Handrail Bracket Tube Mount



Model	Material	$\phi 1$ (mm)	$\phi 2$ (mm)
HR18424838170	SS 304	38.1	38.1
HR18624838170	SS 316	38.1	38.1

# Support de main courante fixe

## Montage sur tube rond



Modèle	Matériel	$\phi 1$ (mm)	$\phi 2$ (mm)
HR18424838170	Al 304	38.1	38.1
HR18624838170	Al 316	38.1	38.1