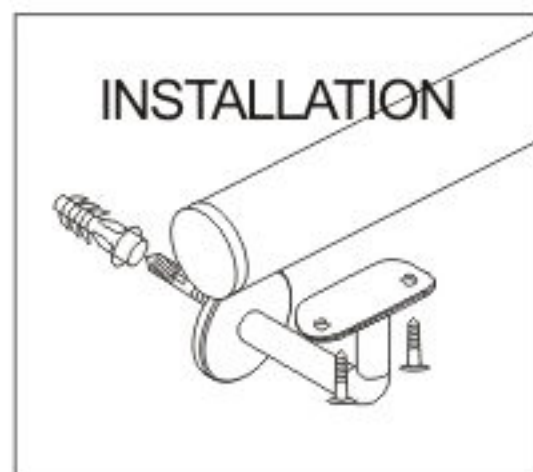
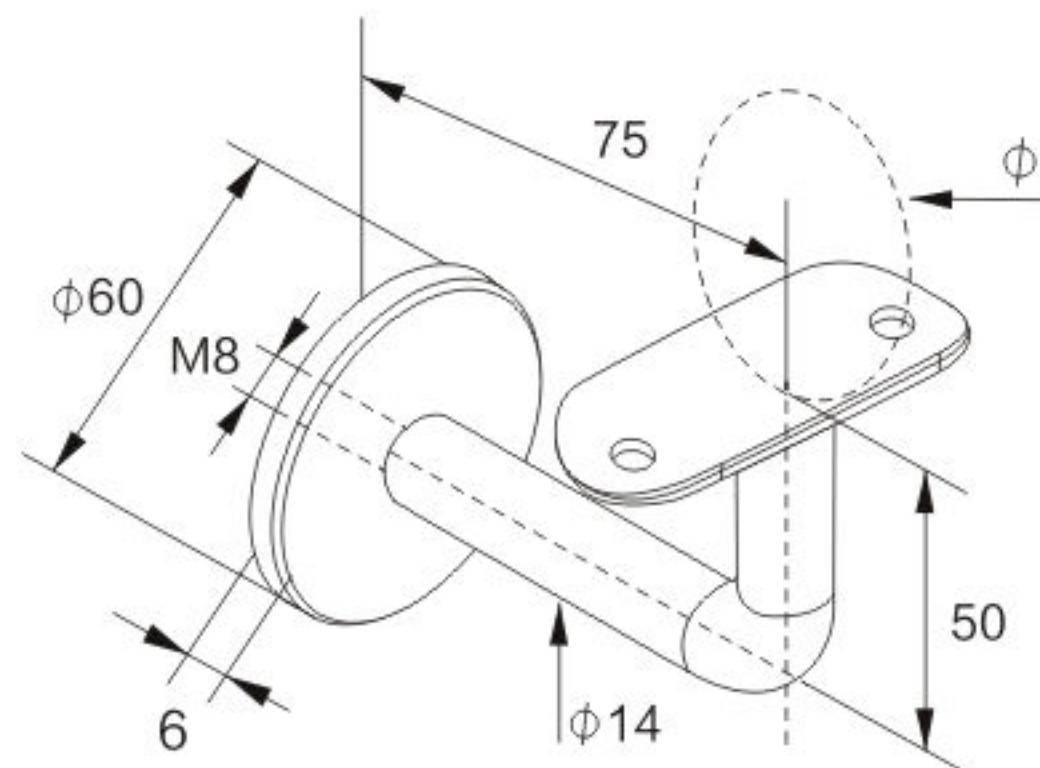


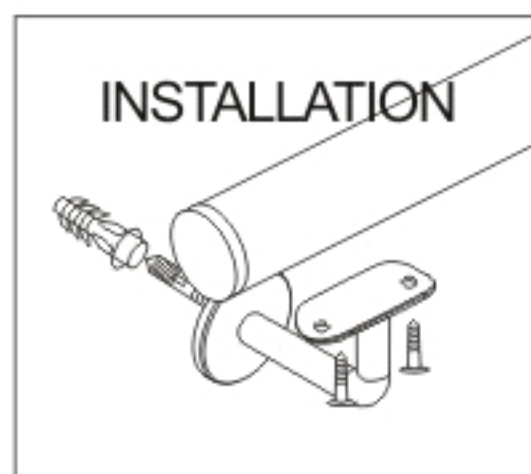
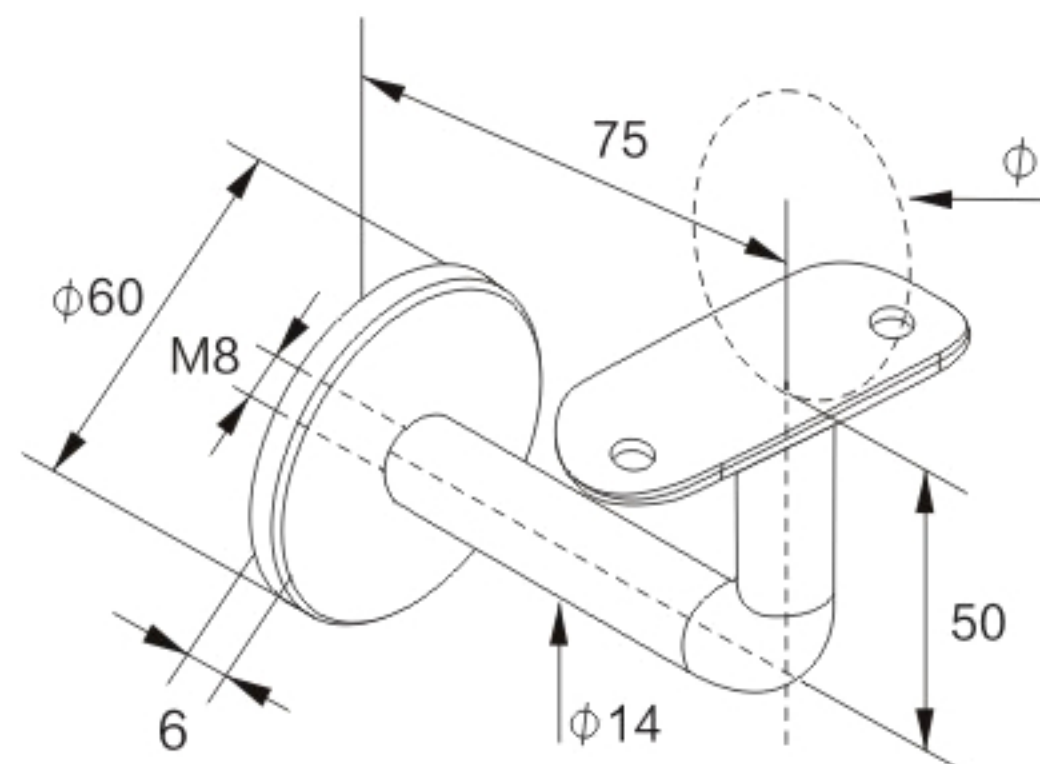
Fixed Handrail Bracket Wall Mount



Model	Material	ϕ (mm)
HR1847883875170	SS 304	38.1
HR1867883875170	SS 316	38.1
HR1847884275170	SS 304	42.4
HR1867884275170	SS 316	42.4
HR1847885075170	SS 304	50.8
HR1867885075170	SS 316	50.8

Support de main courante fixe

Montage sur mur



Modèle	Matériel	φ (mm)
HR1847883875170	Al 304	38.1
HR1867883875170	Al 316	38.1
HR1847884275170	Al 304	42.4
HR1867884275170	Al 316	42.4
HR1847885075170	Al 304	50.8
HR1867885075170	Al 316	50.8