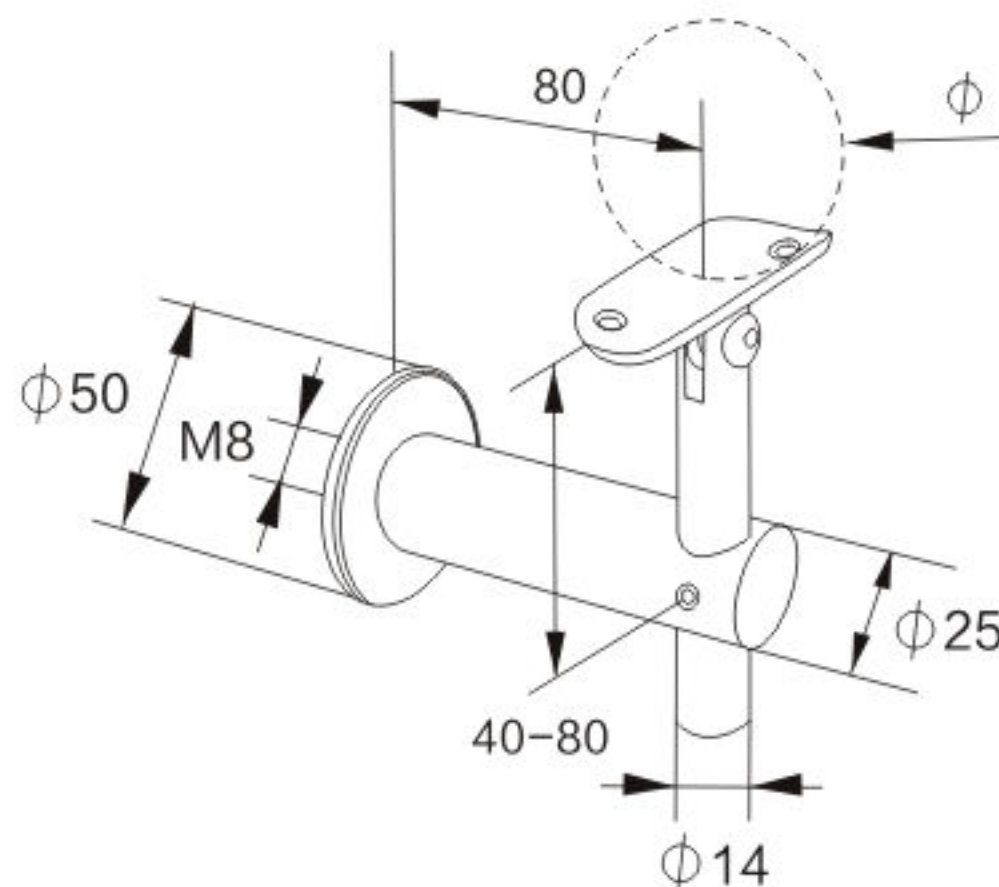


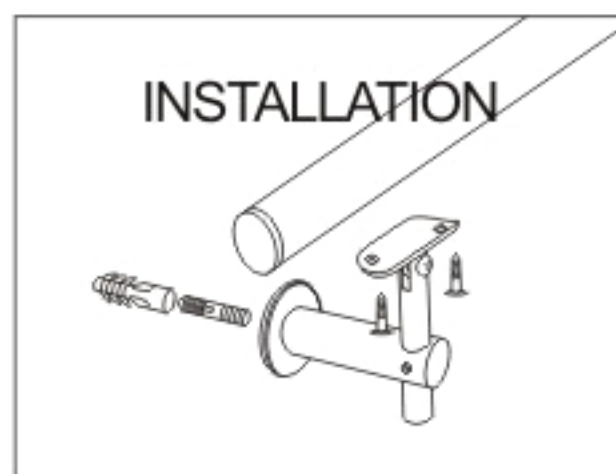
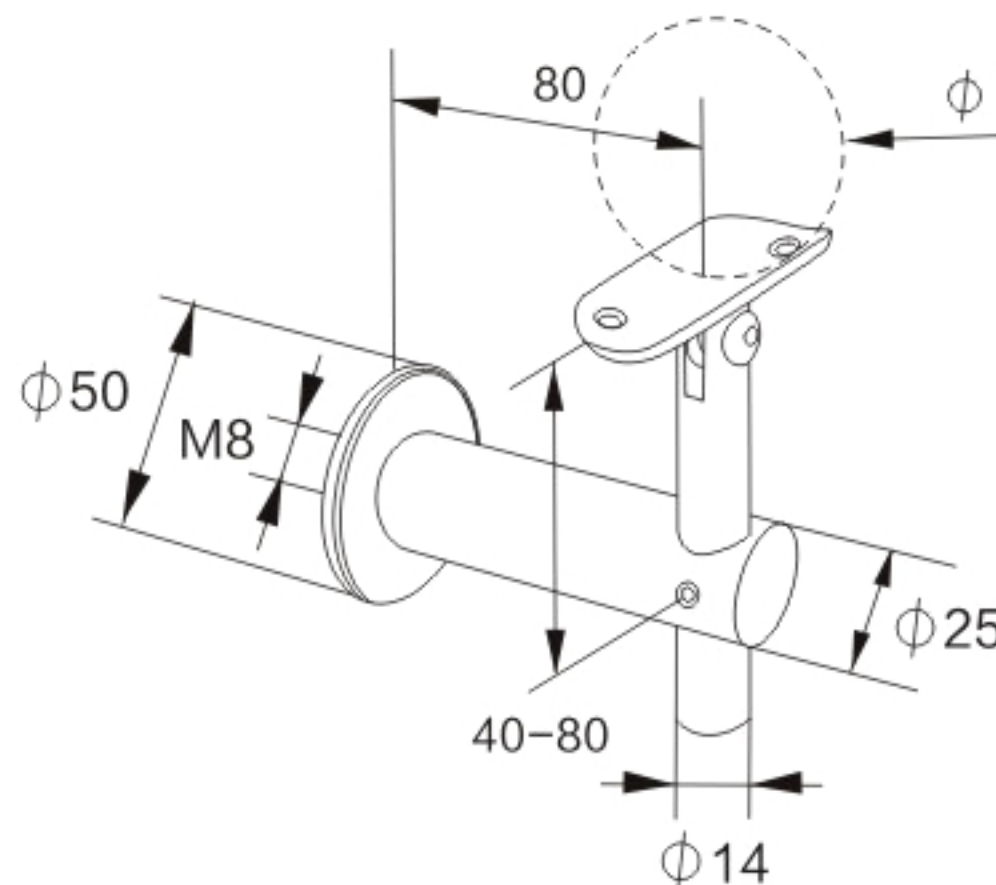
Height and Angle Adjustable Handrail Bracket Wall Mount



Model	Material	φ (mm)
HR1847333880170	SS 304	38.1
HR1867333880170	SS 316	38.1
HR1847334280170	SS 304	42.4
HR1867334280170	SS 316	42.4
HR1847335080170	SS 304	50.8
HR1867335080170	SS 316	50.8

Support de main courante avec angle et hauteur ajustable

Montage sur mur



Modèle	Matériel	φ (mm)
HR1847333880170	Al 304	38.1
HR1867333880170	Al 316	38.1
HR1847334280170	Al 304	42.4
HR1867334280170	Al 316	42.4
HR1847335080170	Al 304	50.8
HR1867335080170	Al 316	50.8