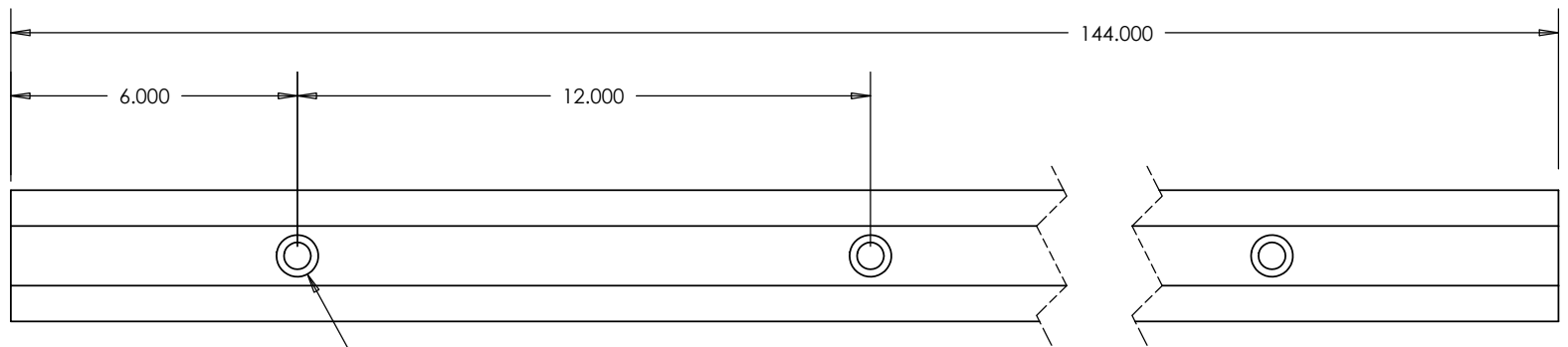
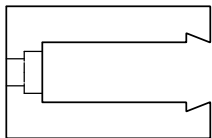


Exposed Surfaces
Scale 1 : 4



12X ϕ .563 THRU ALL
 \square ϕ .875 ∇ .375