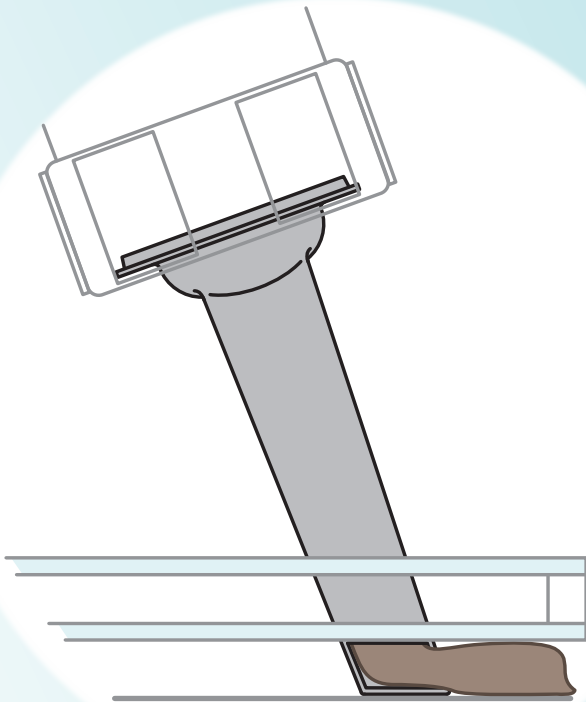


# Caulking Solutions

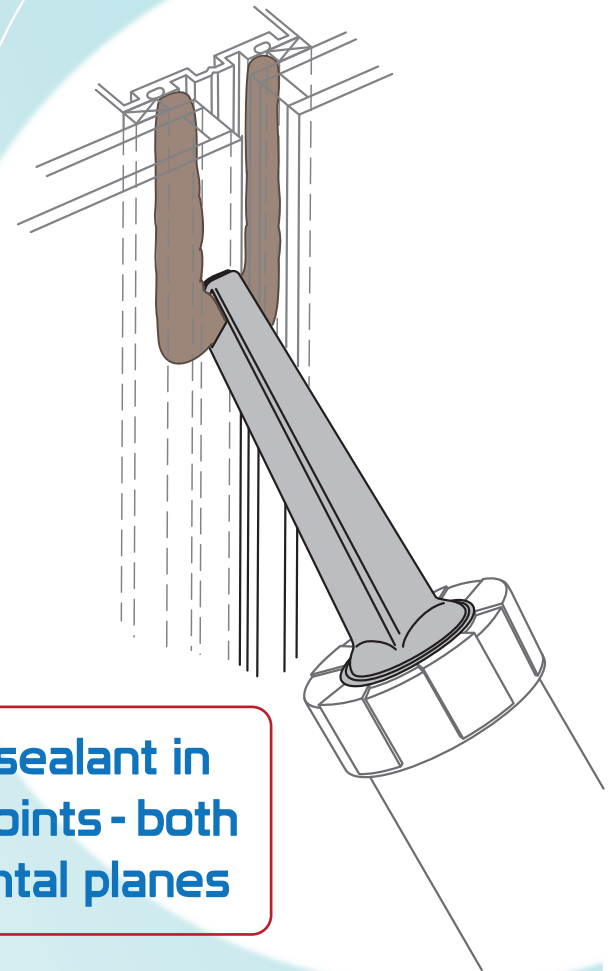
Simple Design | Big Results

Improve Efficiency  
Save Labour  
Reduce Material Cost



**EXCLUSIVE**

shaped nozzle for  
side ejection of  
caulking material



Designed to place sealant in  
structural silicone joints - both  
vertical and horizontal planes

DISTRIBUTED BY

**HI-TECH**  
GLAZING SUPPLIES

[www.hitechglazing.com](http://www.hitechglazing.com)

604-501-1212 (phone)  
604-501-1248 (fax)  
1-800-663-7445  
toll-free (BC only)

PATENT PENDING