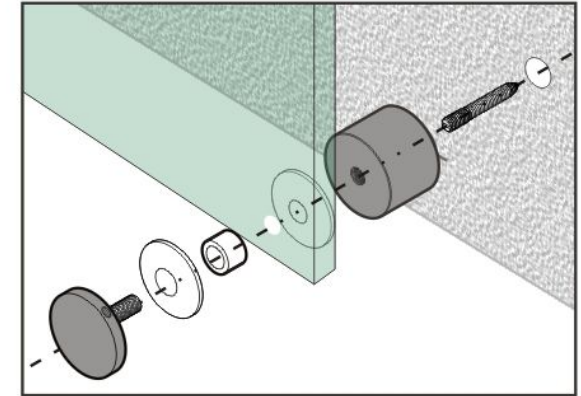
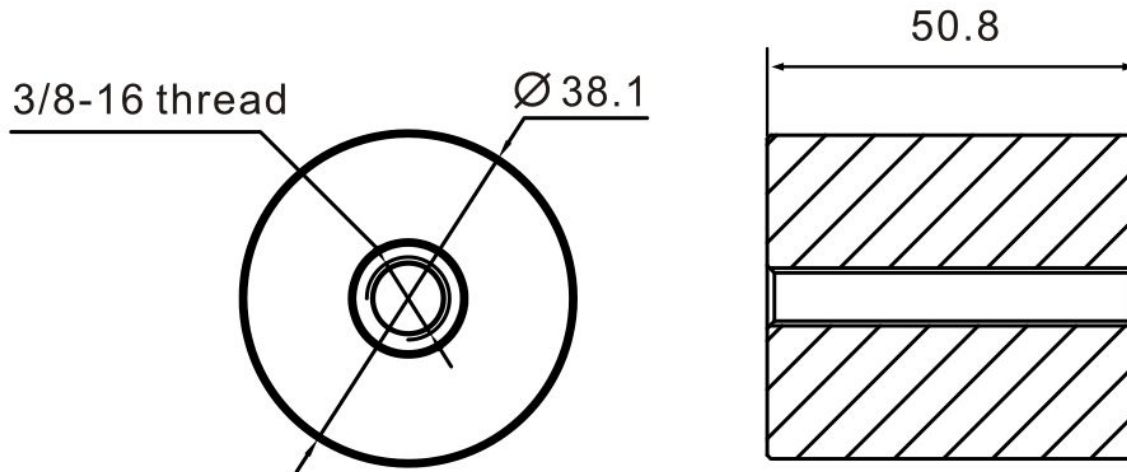


1-1/2" Standoff Base with 3/8-16 Thread

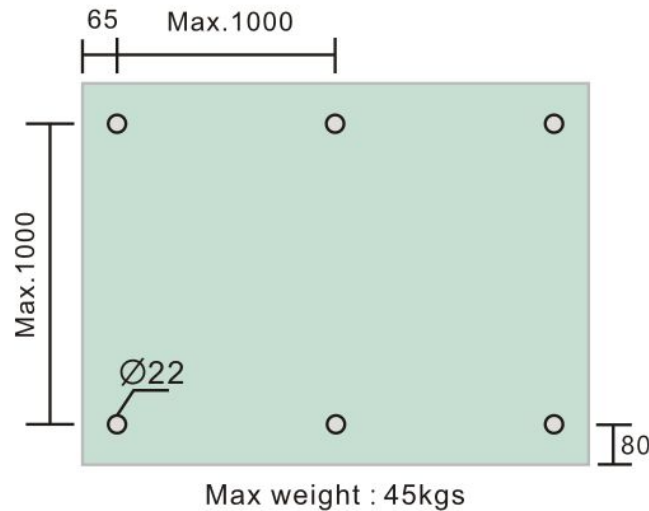
Code No.: SB150200XXX



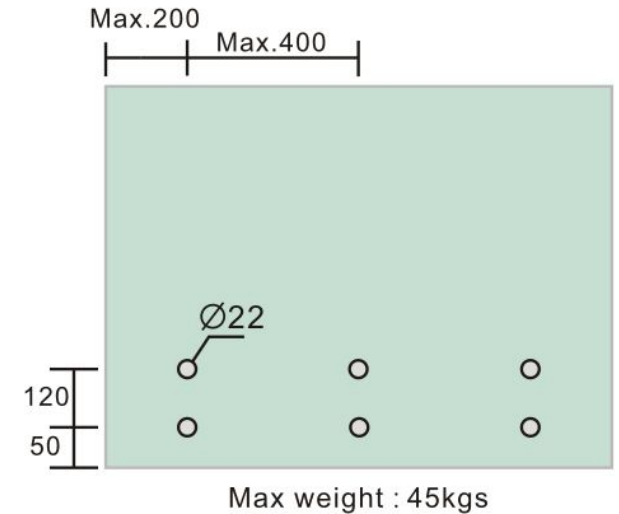
- * Mounting hardware and standoff cap sold separately
- * Stainless steel 316
- * See online for available finishes

Suggested Layout:

Option 1



Option 2



* Actual weight capacity depends on mounting hardware and substrate material.