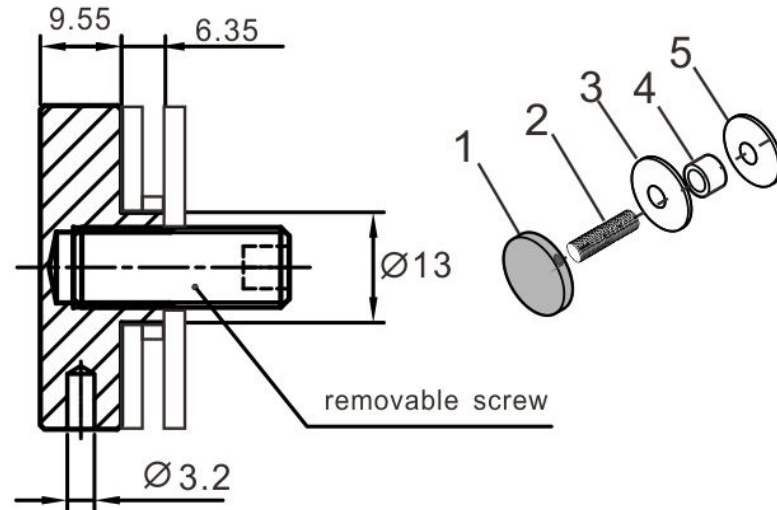
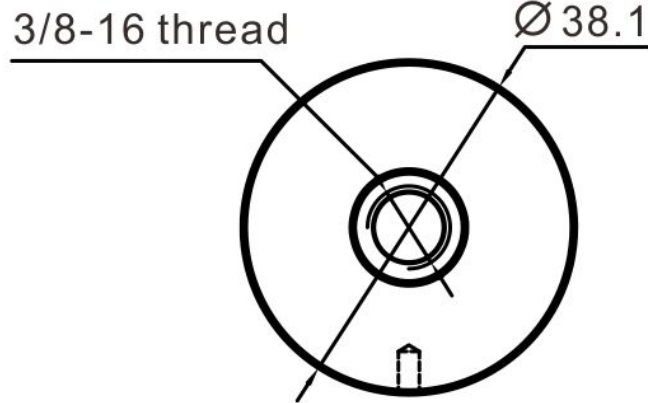


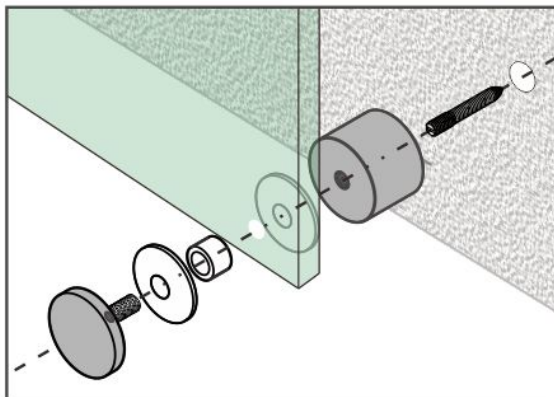
# 1-1/2" Standoff Cap with 3/8-16 Thread

Code No.: SC150038XXX



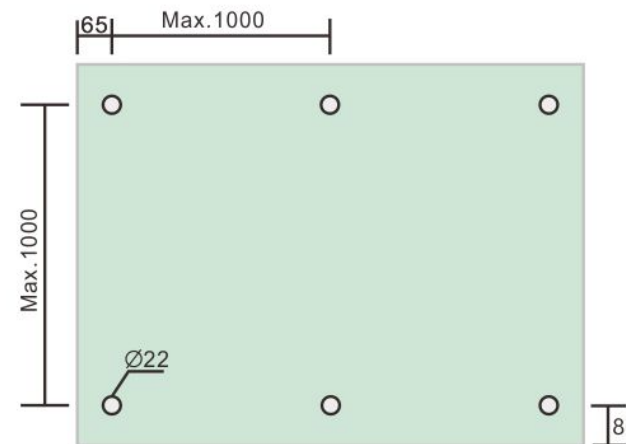
#	Name	Qty
1	Cap	1
2	Screw 3/8-16x25.4mm	1
3	Gasket	1
4	Washer	1
5	Gasket	1

## Suggested Layout:



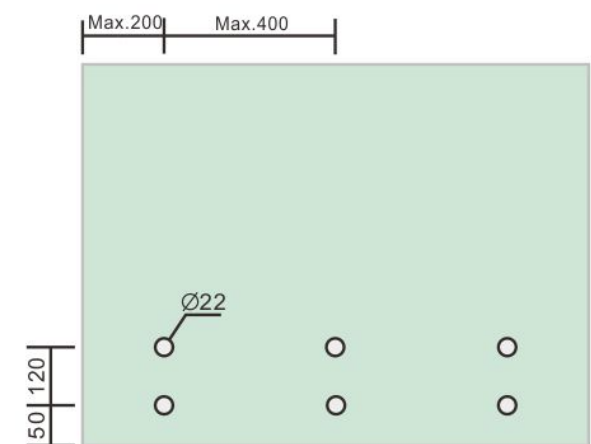
- \* Mounting hardware and standoff base sold separately
- \* Stainless steel 316
- \* See online for available finishes

### Option 1



Max weight : 45kgs

### Option 2



Max weight : 45kgs

\* Actual weight capacity depends on mounting hardware and substrate material.