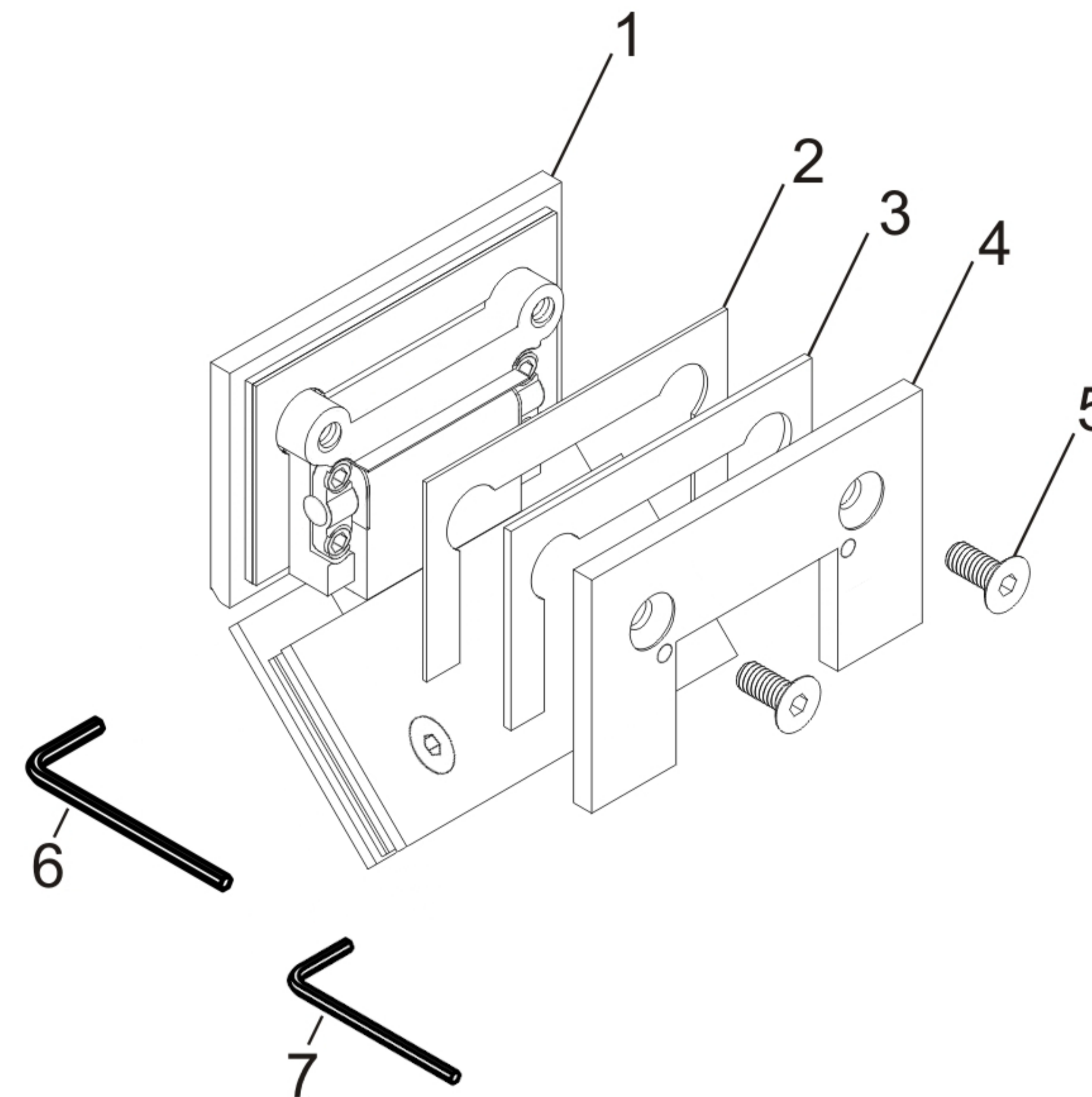
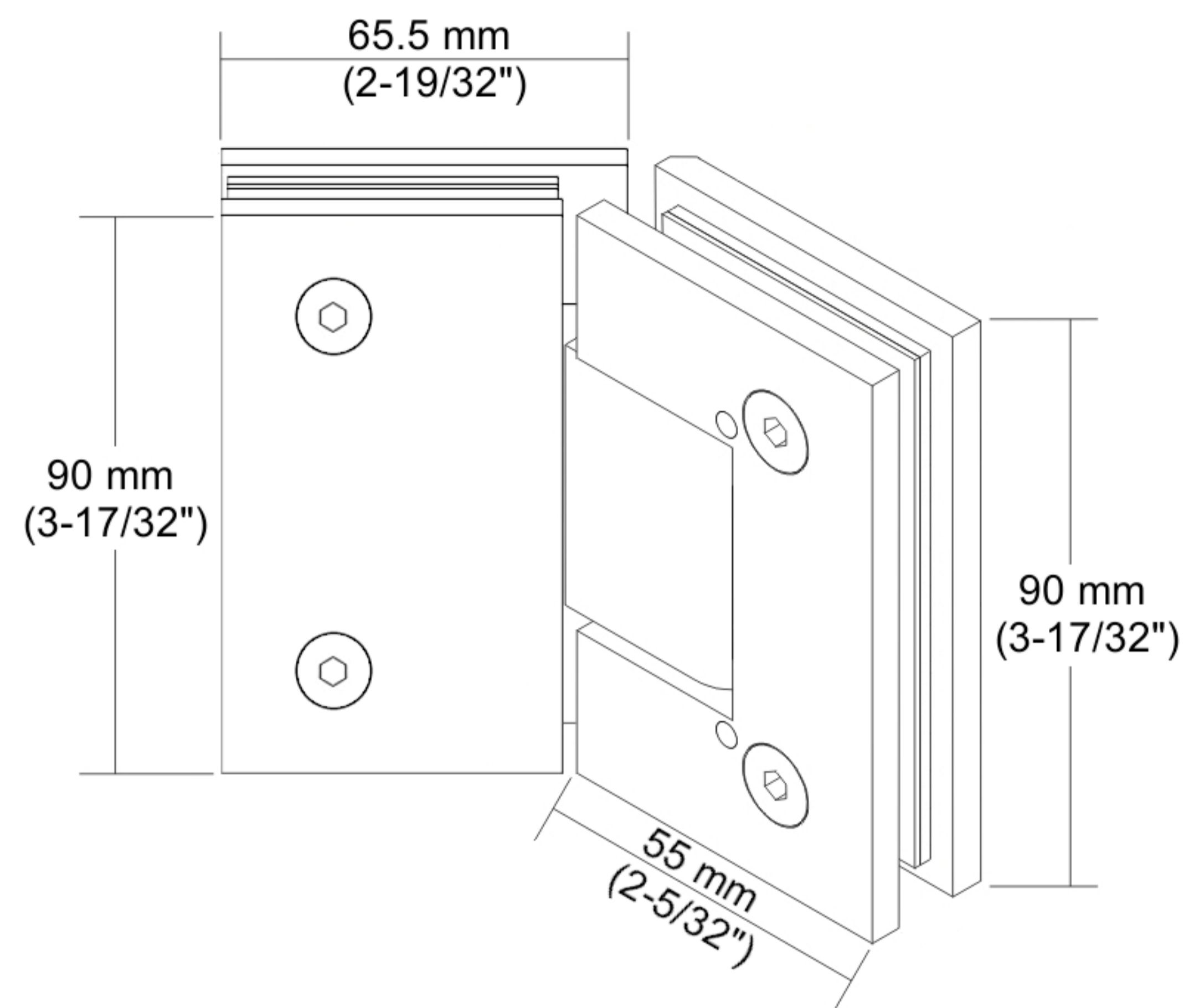


**Measurements:**



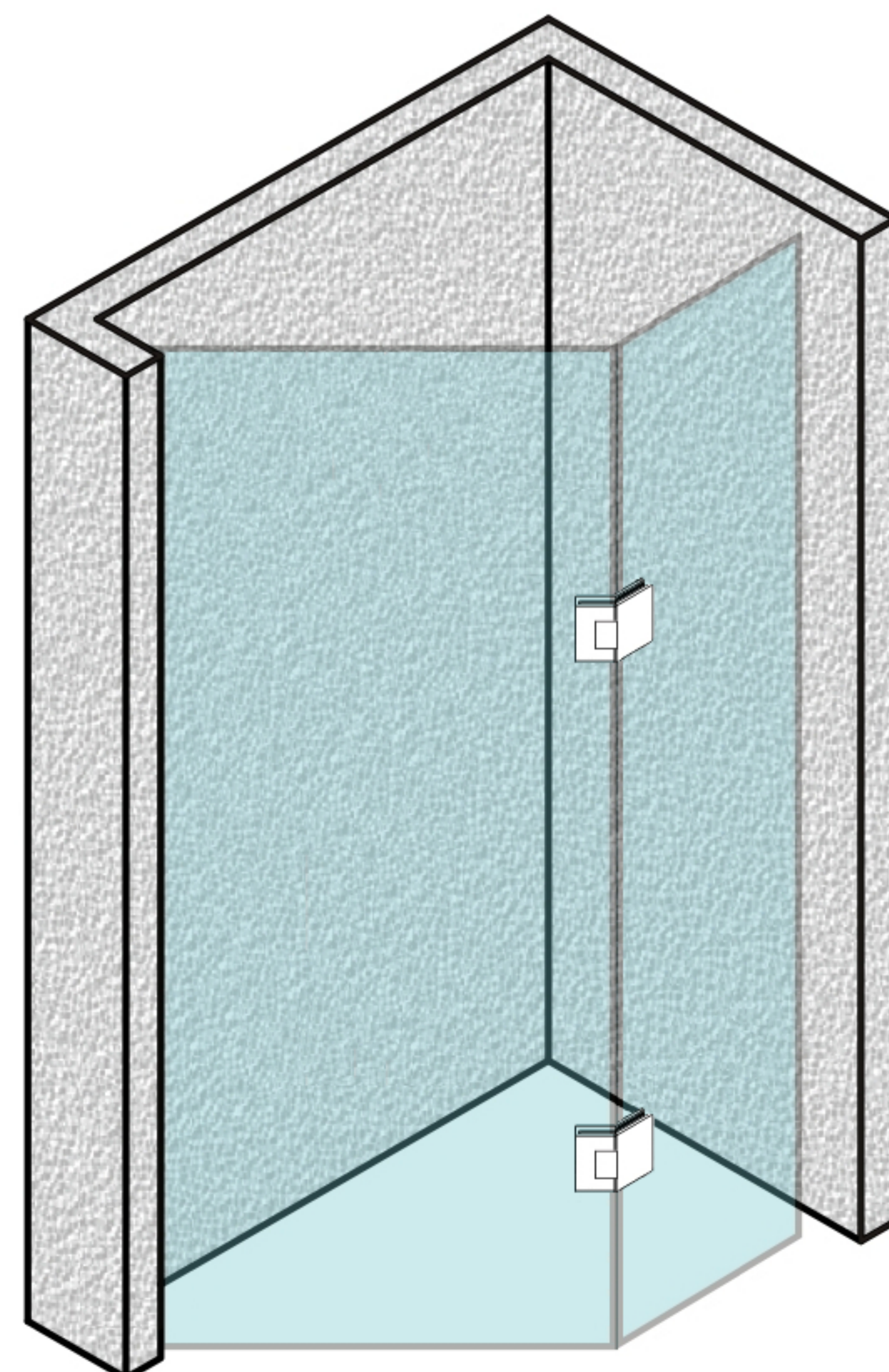
**Components for 1 hinge:**

SN	Name	Qty
1	Hinge	1
2	1 mm gasket (1/32")	2
3	2 mm gasket (3/32")	2
4	Hinge plate	1
5	Screws M6x16 mm (5/8")	2
6	4 mm Allen key	1
7	3 mm Allen key	1

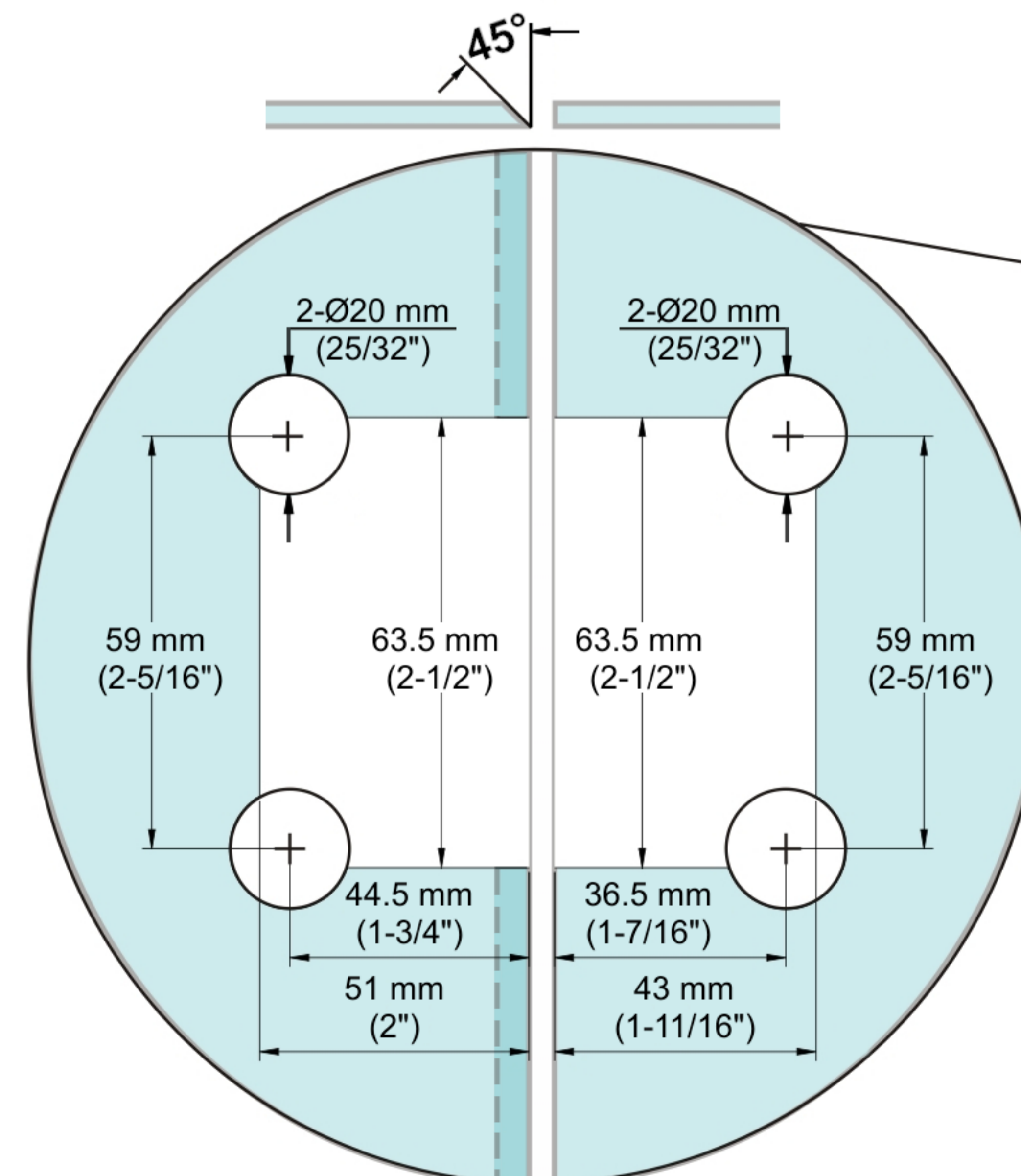
\*See online for available finishes  
 \*For 8-10 mm (5/16"-3/8") glass

- ▶ **8 mm (5/16") glass:**  
2 mm (3/32") gasket
- ▶ **10 mm (3/8") glass:**  
1 mm (1/32") gasket
- ▶ **Capacity for 2 hinges:**  
Weight: 36 kg (80 lb)  
Door width: 762 mm (30")
- ▶ **Capacity for 3 hinges:**  
Weight: 55 kg (121 lb)  
Door width: 914 mm (36")

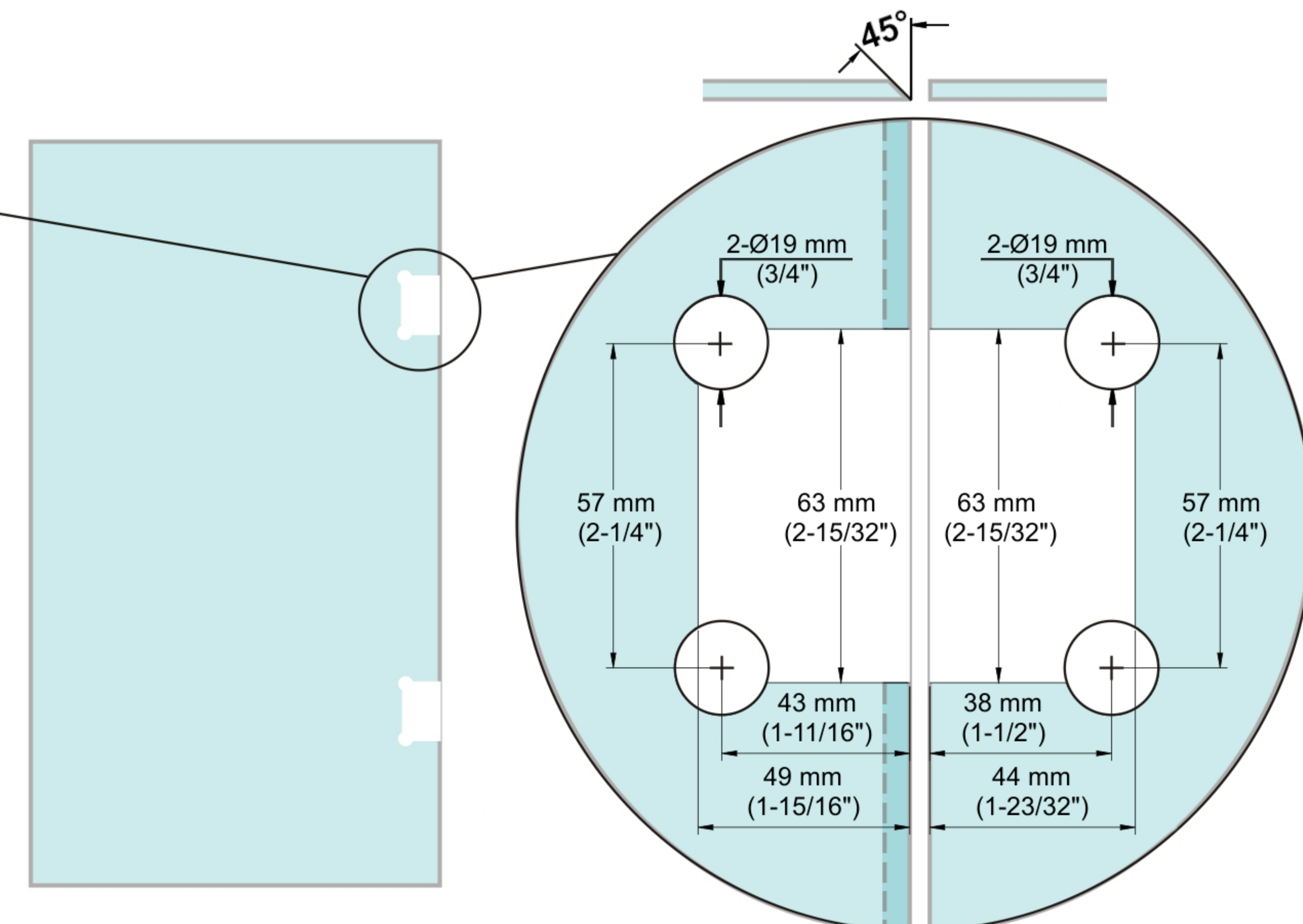
**Glass template:**



**Standard Template**



**Clearance Template**



## Angle adjustments:

- ▶ Use the 3 mm Allen key to loosen the set screws in diagram B by one turn.
- ▶ Adjust the angle of the hinge by up to 30° inwards or outwards.
- ▶ Fully tighten the set screw to finish the adjustment.

