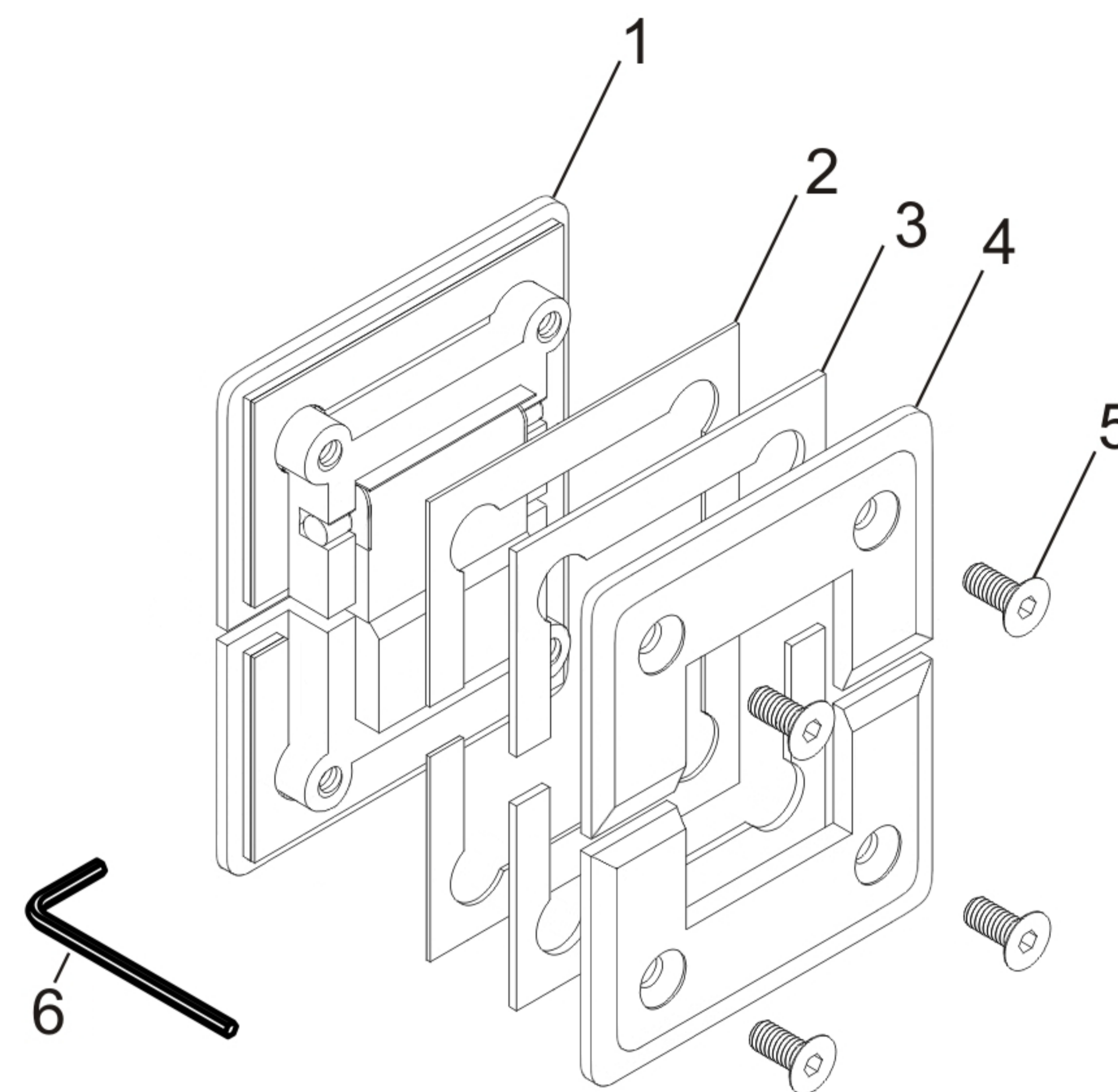
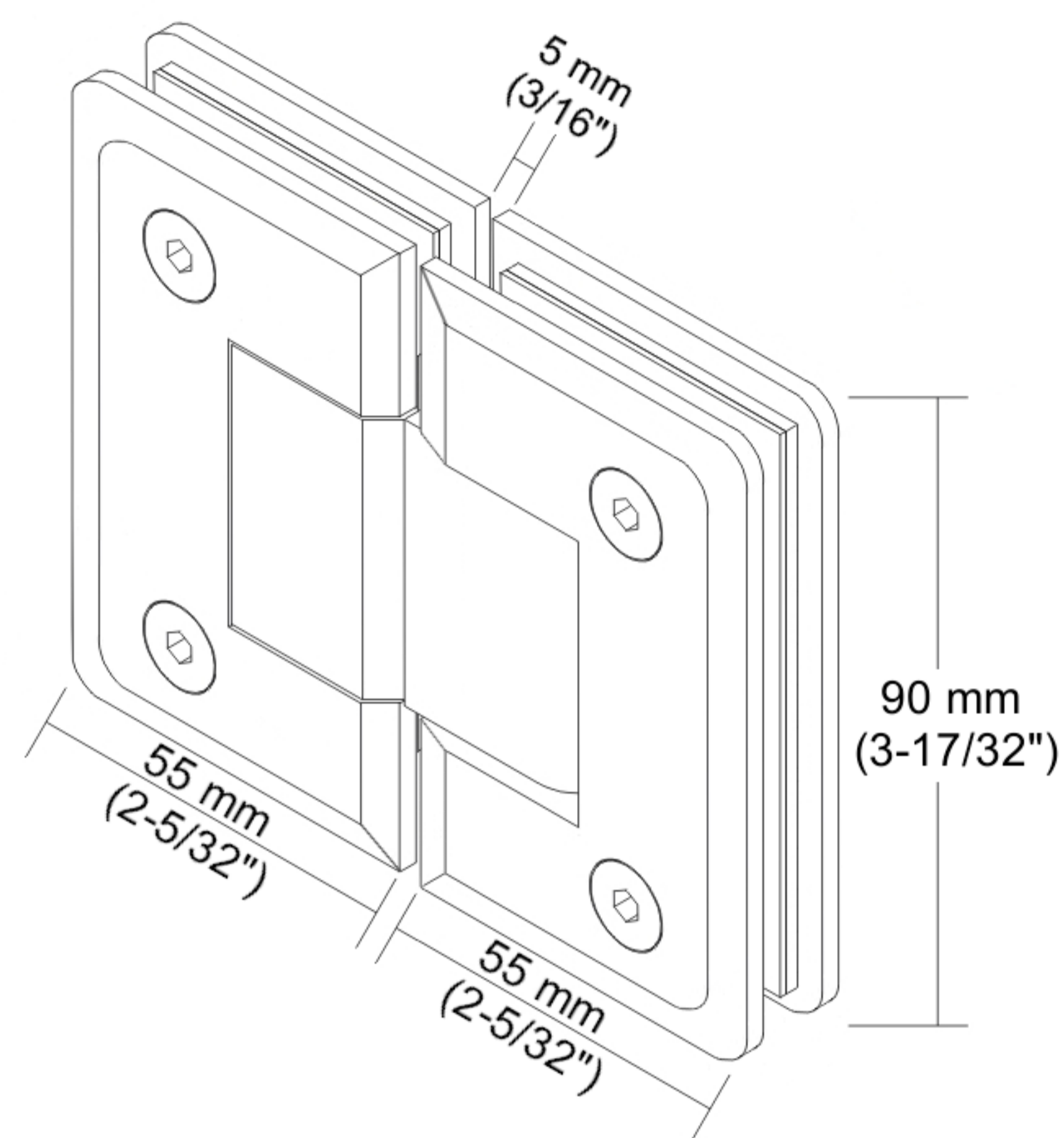


Measurements:



Components for 1 hinge:

SN	Name	Qty
1	Hinge	1
2	1 mm gasket (1/32")	4
3	2 mm gasket (3/32")	4
4	Hinge plate	2
5	Screws M6x16 mm (5/8")	4
6	Allen key	1

*See online for available finishes
 *For 8-10 mm (5/16"-3/8") glass

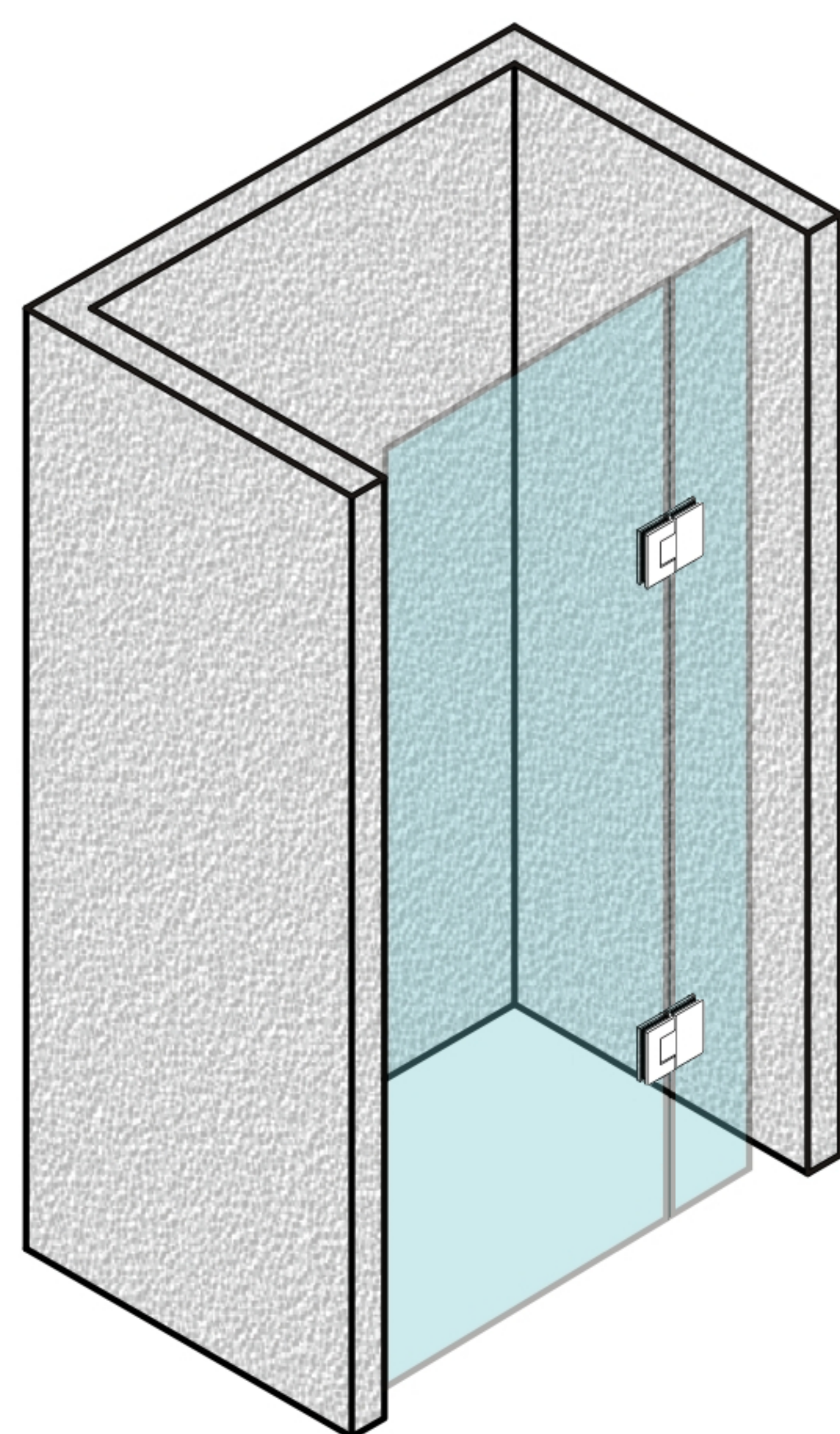
► **8 mm (5/16") glass:**
 2 mm (3/32") gasket

► **10 mm (3/8") glass:**
 1 mm (1/32") gasket

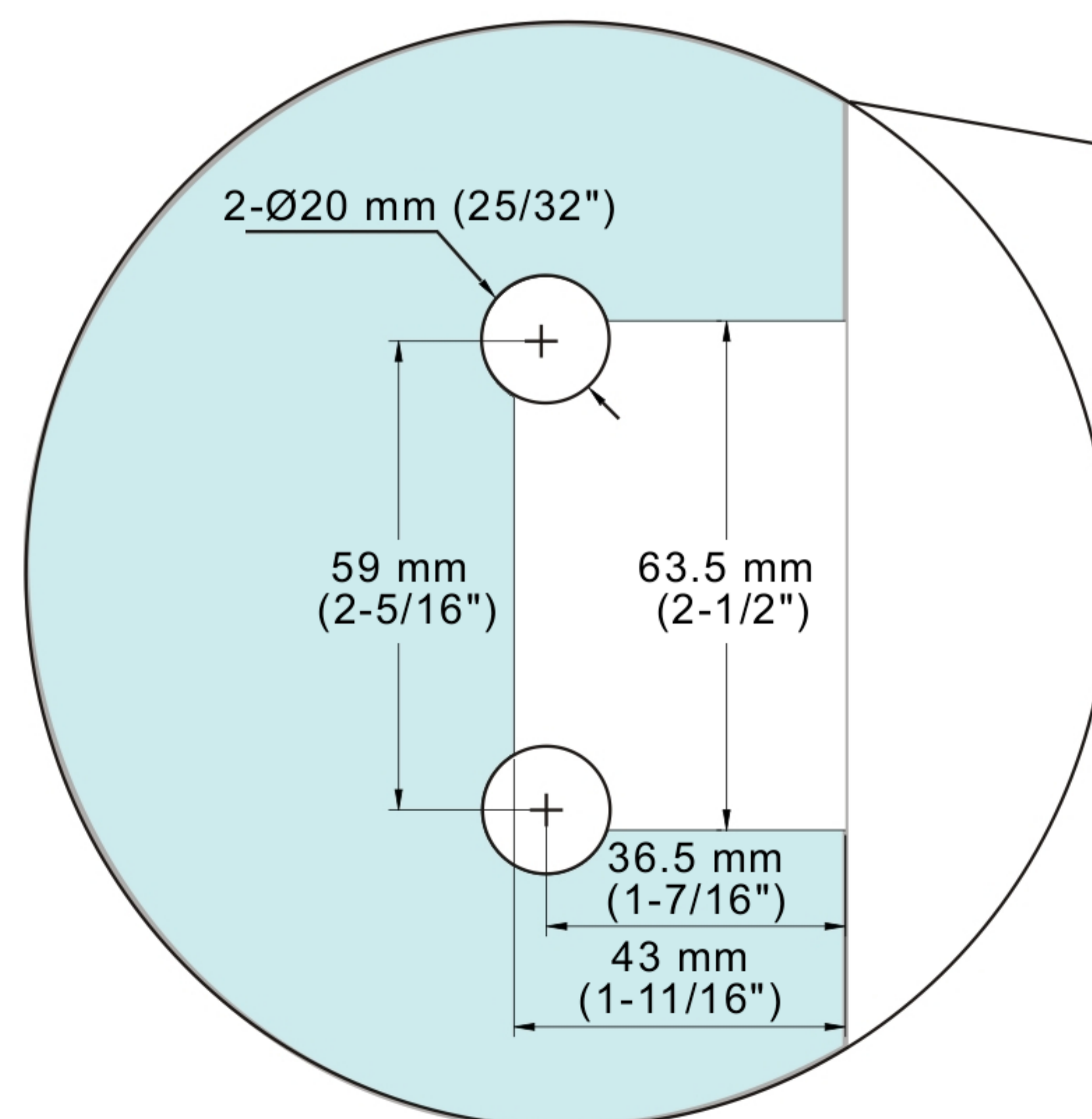
► **Capacity for 2 hinges:**
 Weight: 36 kg (80 lb)
 Door width: 762 mm (30")

► **Capacity for 3 hinges:**
 Weight: 55 kg (121 lb)
 Door width: 914 mm (36")

Glass template:



Standard Template



Clearance Template

