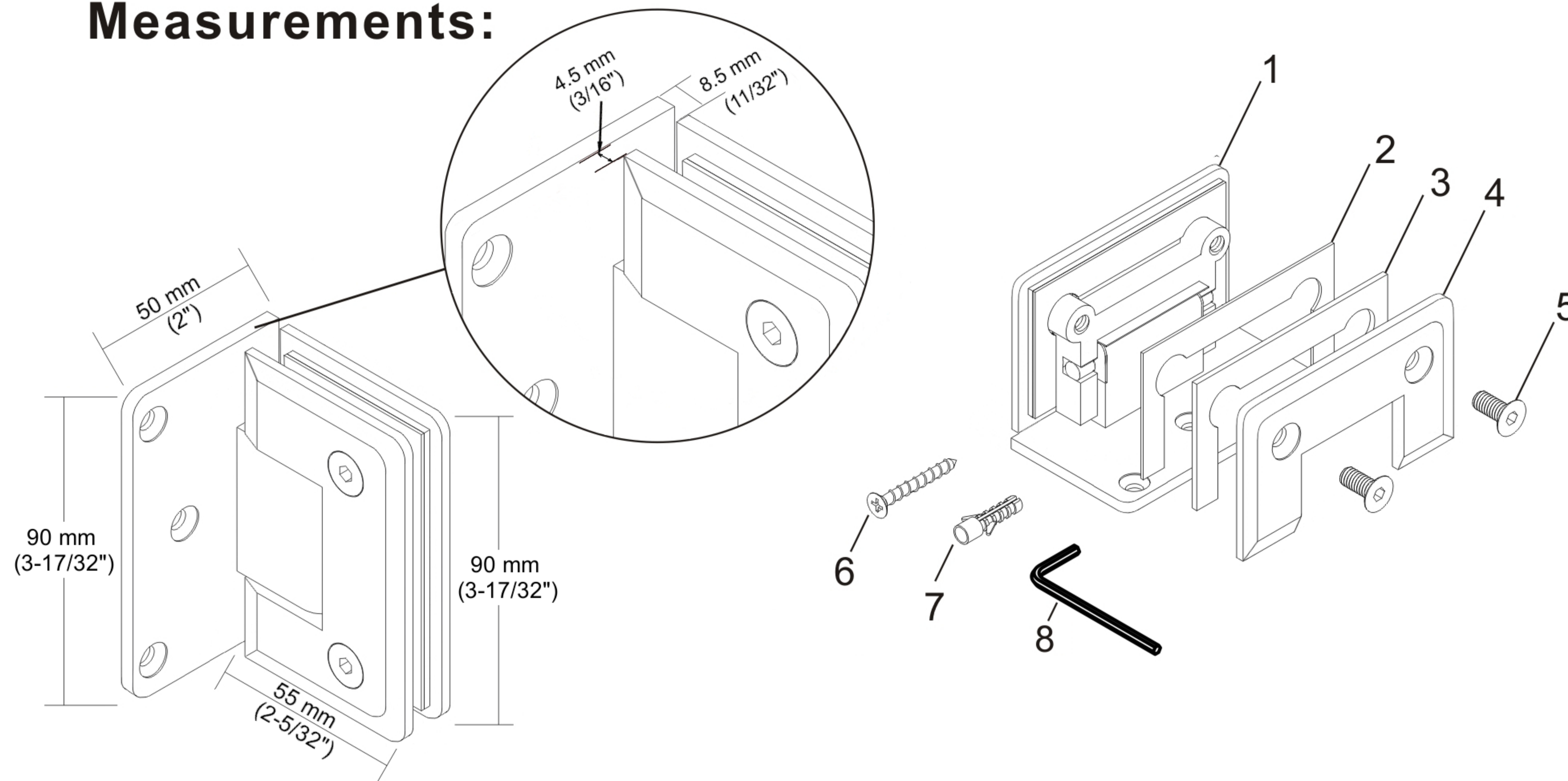


Measurements:



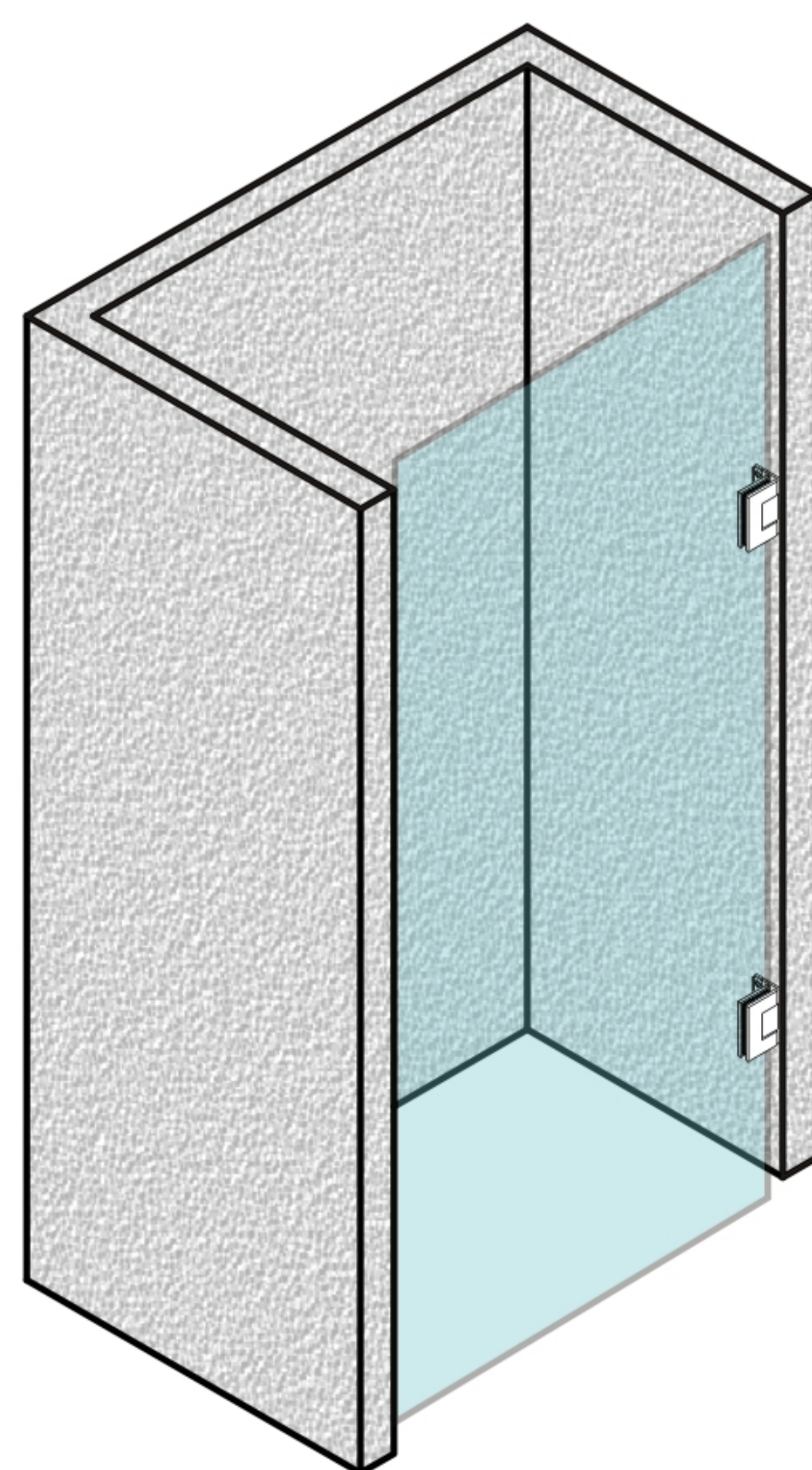
*See online for available finishes
 *For 8-10 mm (5/16"-3/8") glass

Components for 1 hinge:

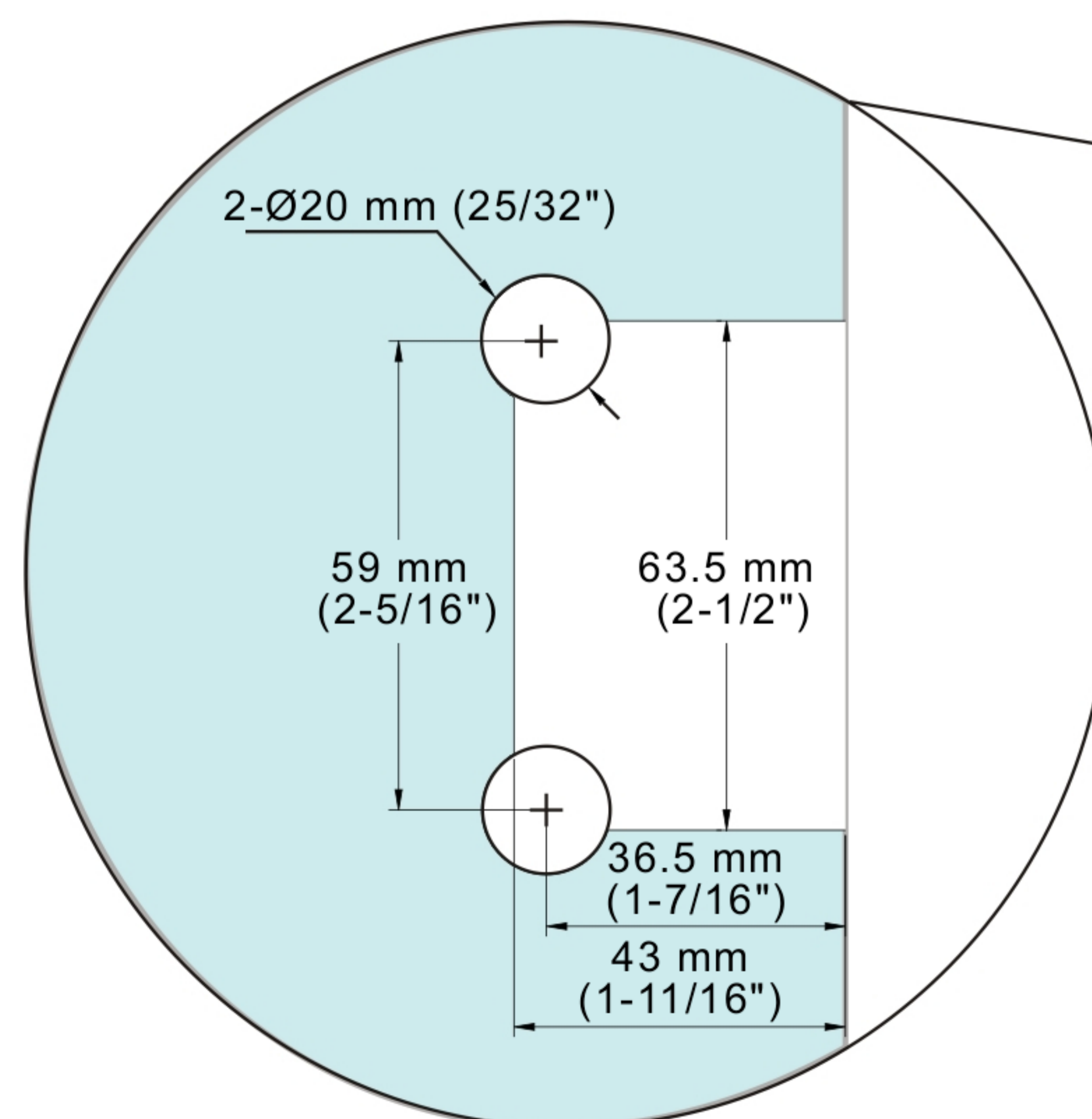
SN	Name	Qty
1	Hinge	1
2	1 mm gasket (1/32")	2
3	2 mm gasket (3/32")	2
4	Hinge plate	1
5	Screws M6x16 mm (5/8")	2
6	Self-tapping screw	3
7	Plastic wall anchor	3
8	Allen key	1

- ▶ **8 mm (5/16") glass:**
2 mm (3/32") gasket
- ▶ **10 mm (3/8") glass:**
1 mm (1/32") gasket
- ▶ **Capacity for 2 hinges:**
Weight: 36 kg (80 lb)
Door width: 762 mm (30")
- ▶ **Capacity for 3 hinges:**
Weight: 55 kg (121 lb)
Door width: 914 mm (36")

Glass template:



Standard Template



Clearance Template

