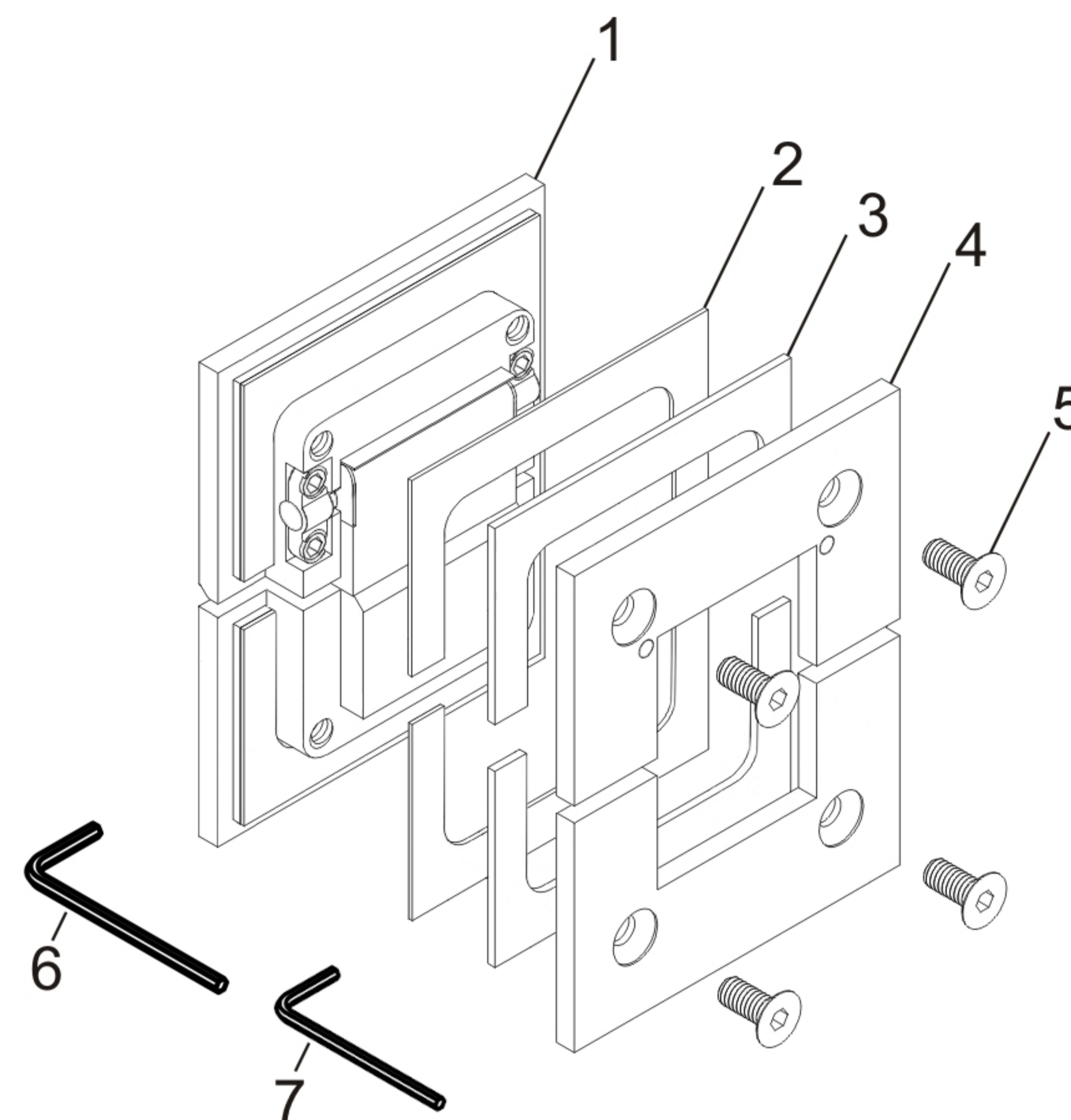
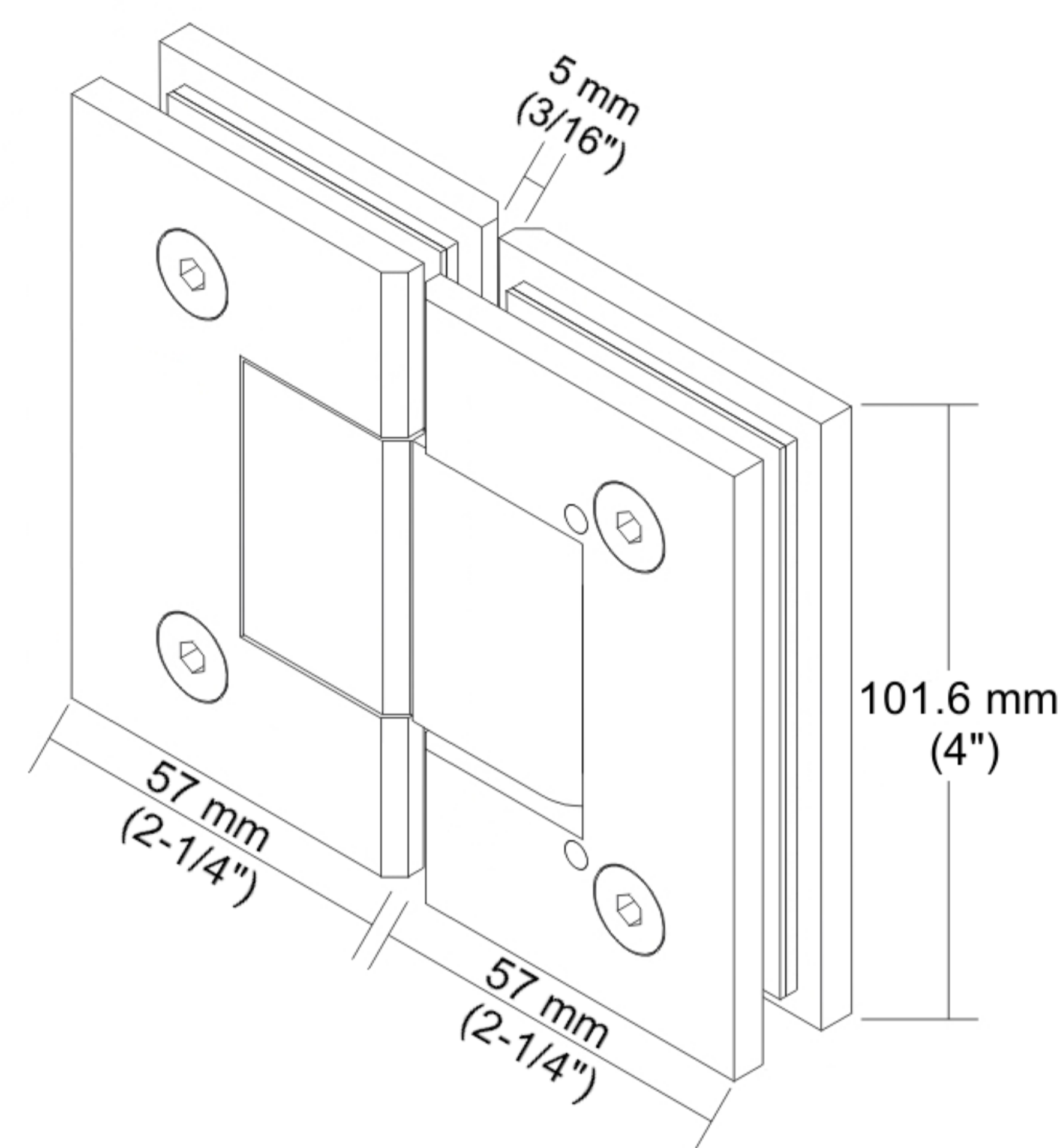


**Measurements:**



**Components for 1 hinge:**

SN	Name	Qty
1	Hinge	1
2	1 mm gasket (1/32")	4
3	2 mm gasket (3/32")	4
4	Hinge plate	2
5	Screws M6x16 mm (5/8")	4
6	4 mm Allen key	1
7	3 mm Allen key	1

\*See online for available finishes  
 \*For 10-12 mm (3/8"-1/2") glass

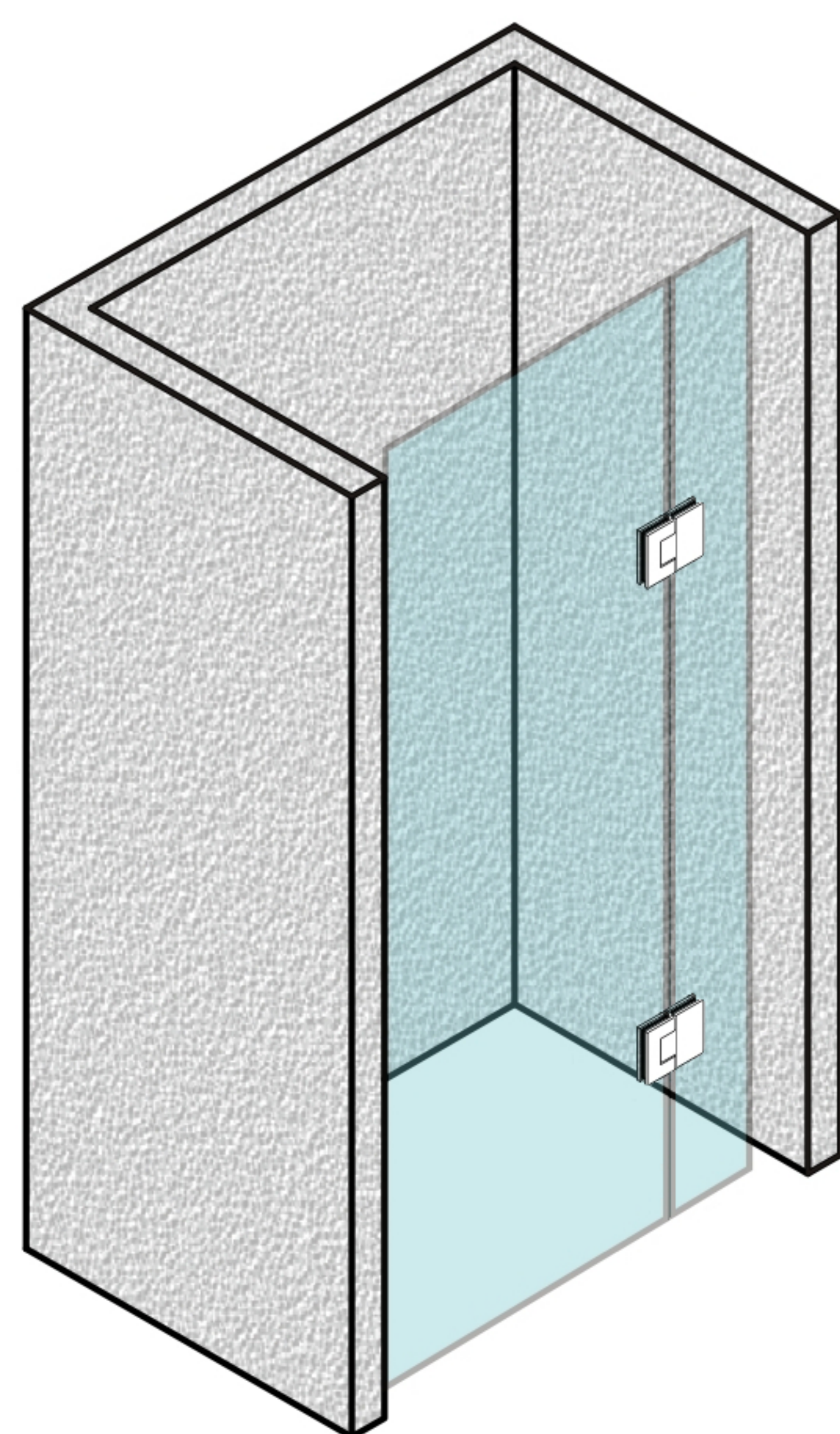
► **10 mm (3/8") glass:**  
 2 mm (3/32") gasket

► **12 mm (1/2") glass:**  
 1 mm (1/32") gasket

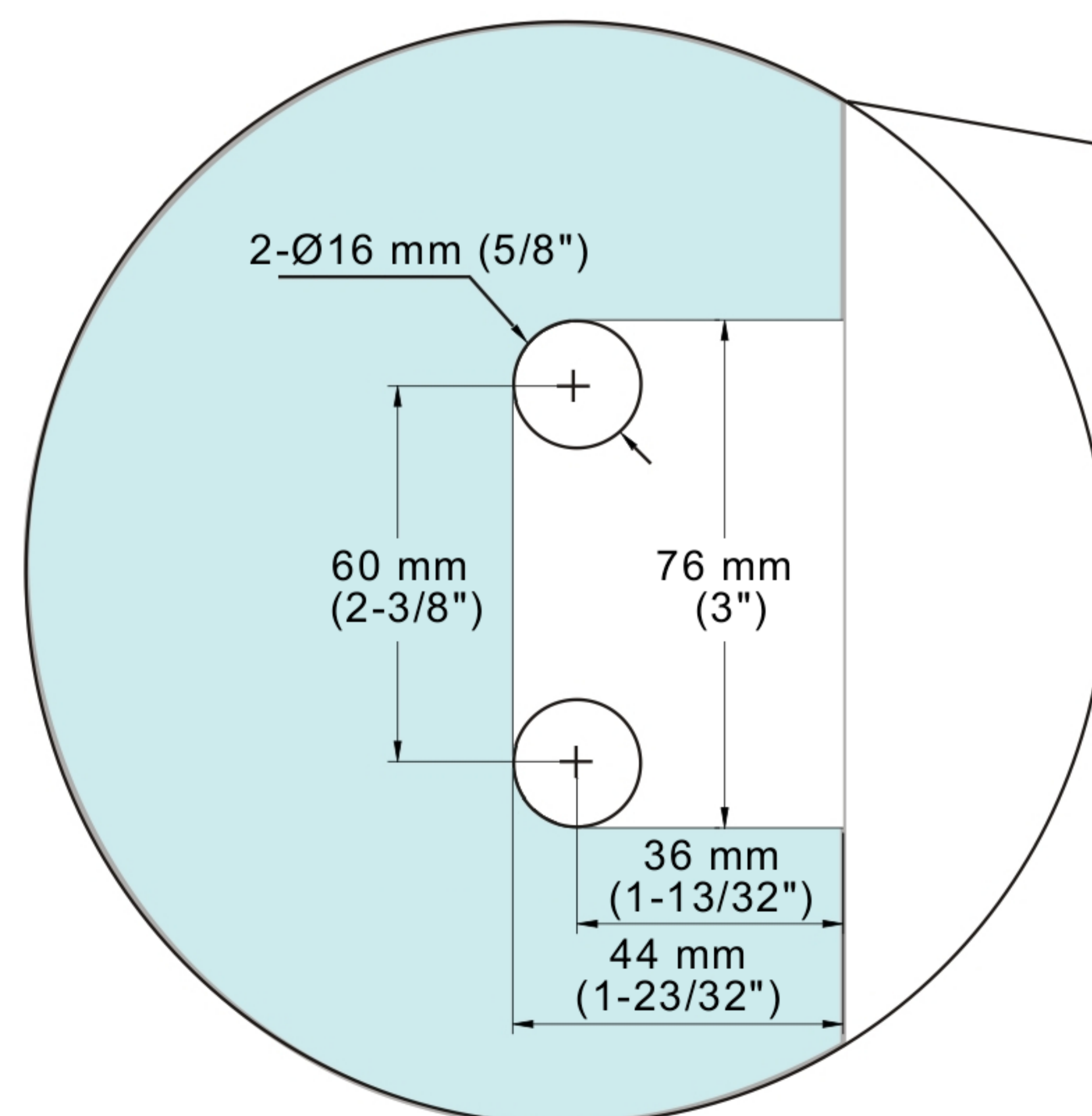
► **Capacity for 2 hinges:**  
 Weight: 45 kg (99 lb)  
 Door width: 762 mm (30")

► **Capacity for 3 hinges:**  
 Weight: 68 kg (150 lb)  
 Door width: 915 mm (36")

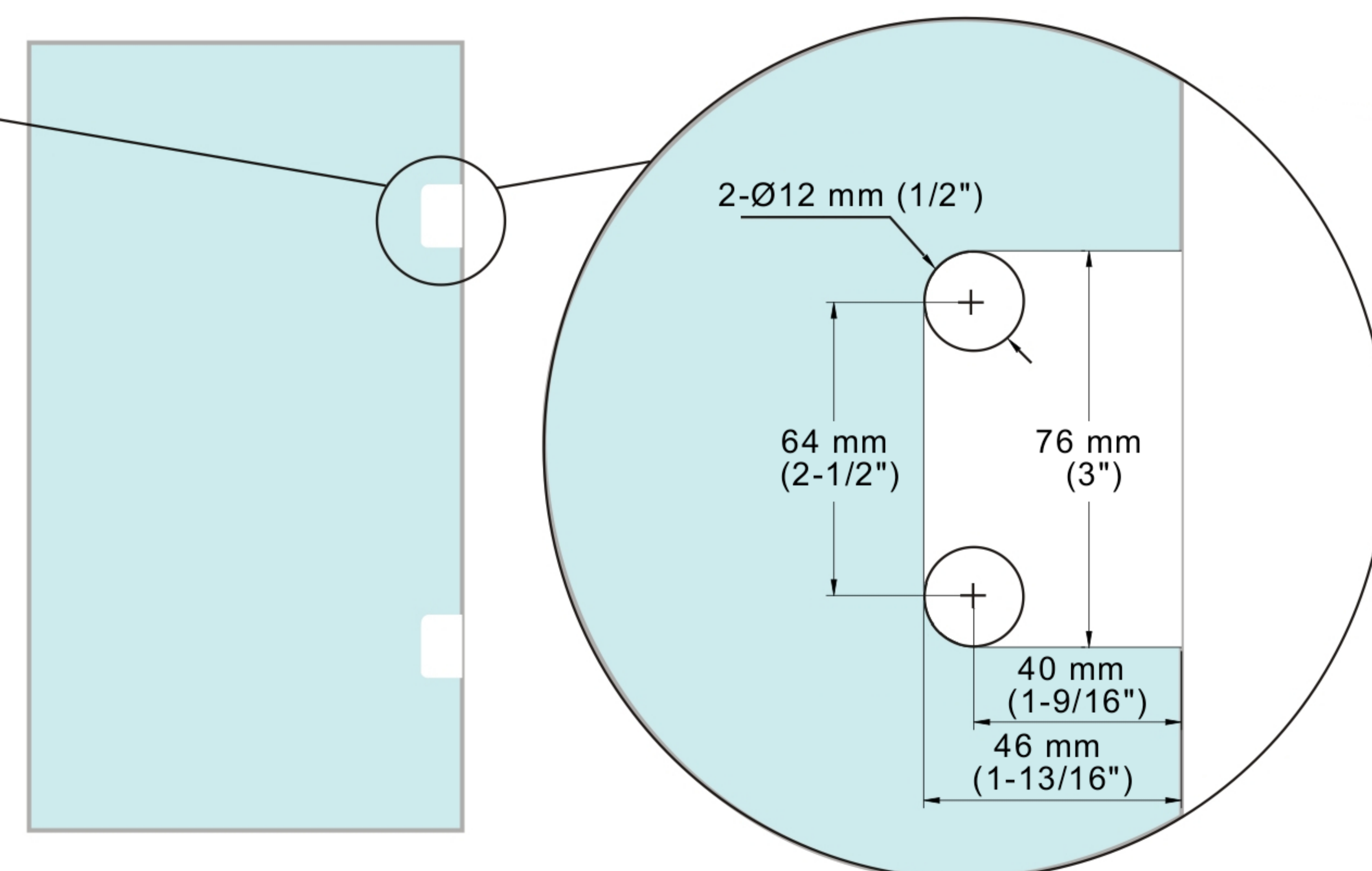
**Glass template:**



**Standard Template**



**Clearance Template**





## Angle adjustments:

- ▶ Use the 3 mm Allen key to loosen the set screws in diagram B by one turn.
- ▶ Adjust the angle of the hinge by up to 30° inwards or outwards.
- ▶ Fully tighten the set screw to finish the adjustment.

