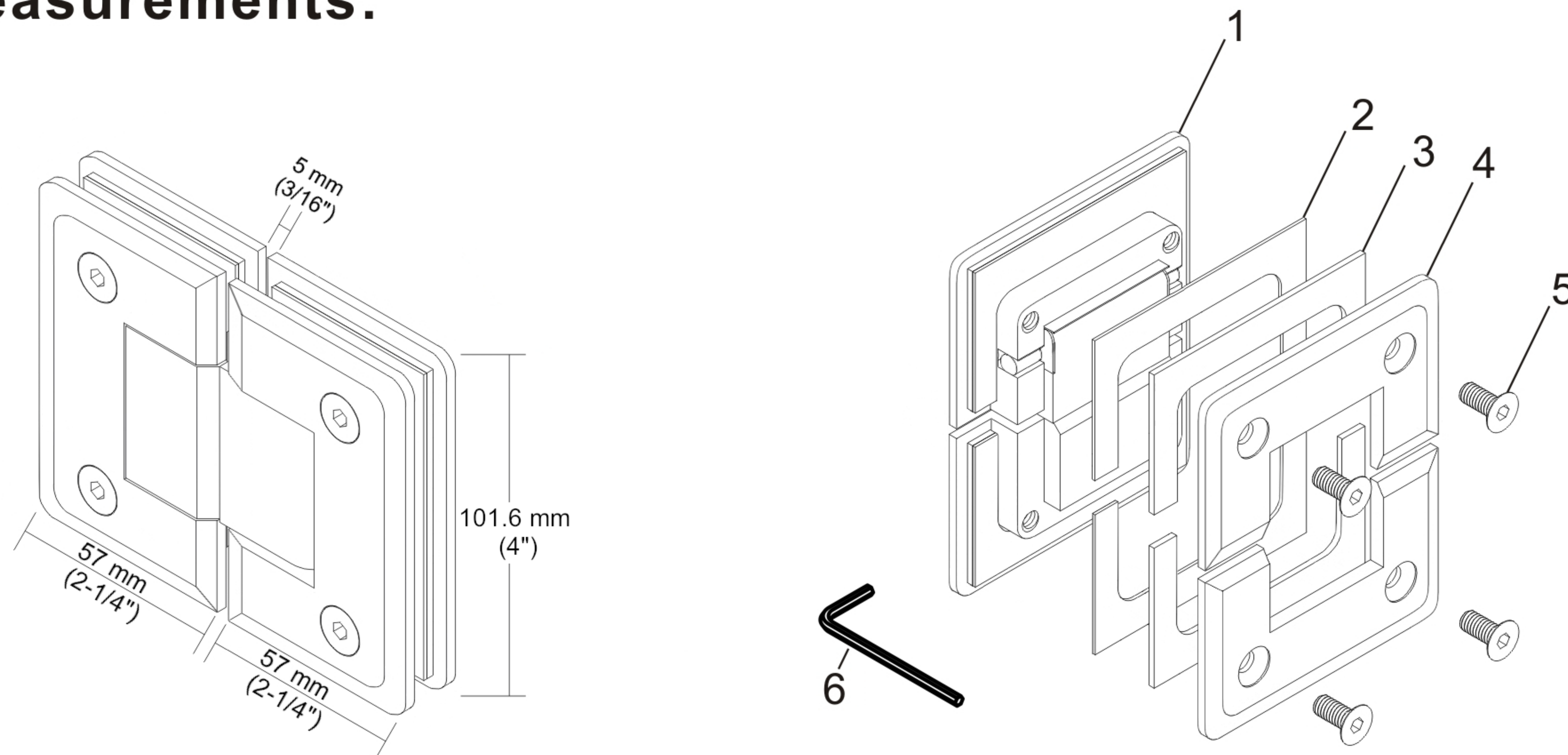


Measurements:

*See online for available finishes
 *For 10-12 mm (3/8"-1/2") glass

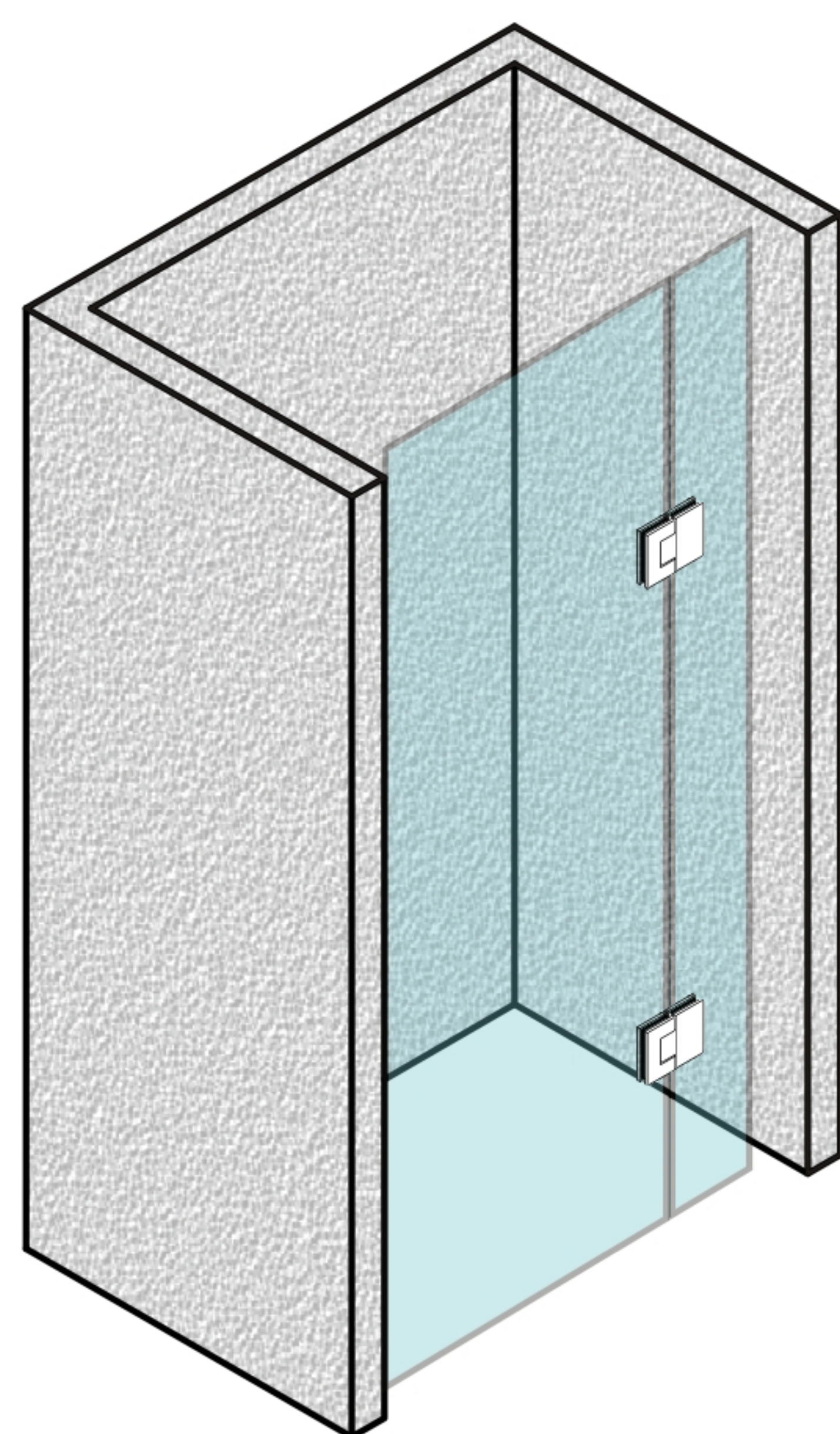


Components for 1 hinge:

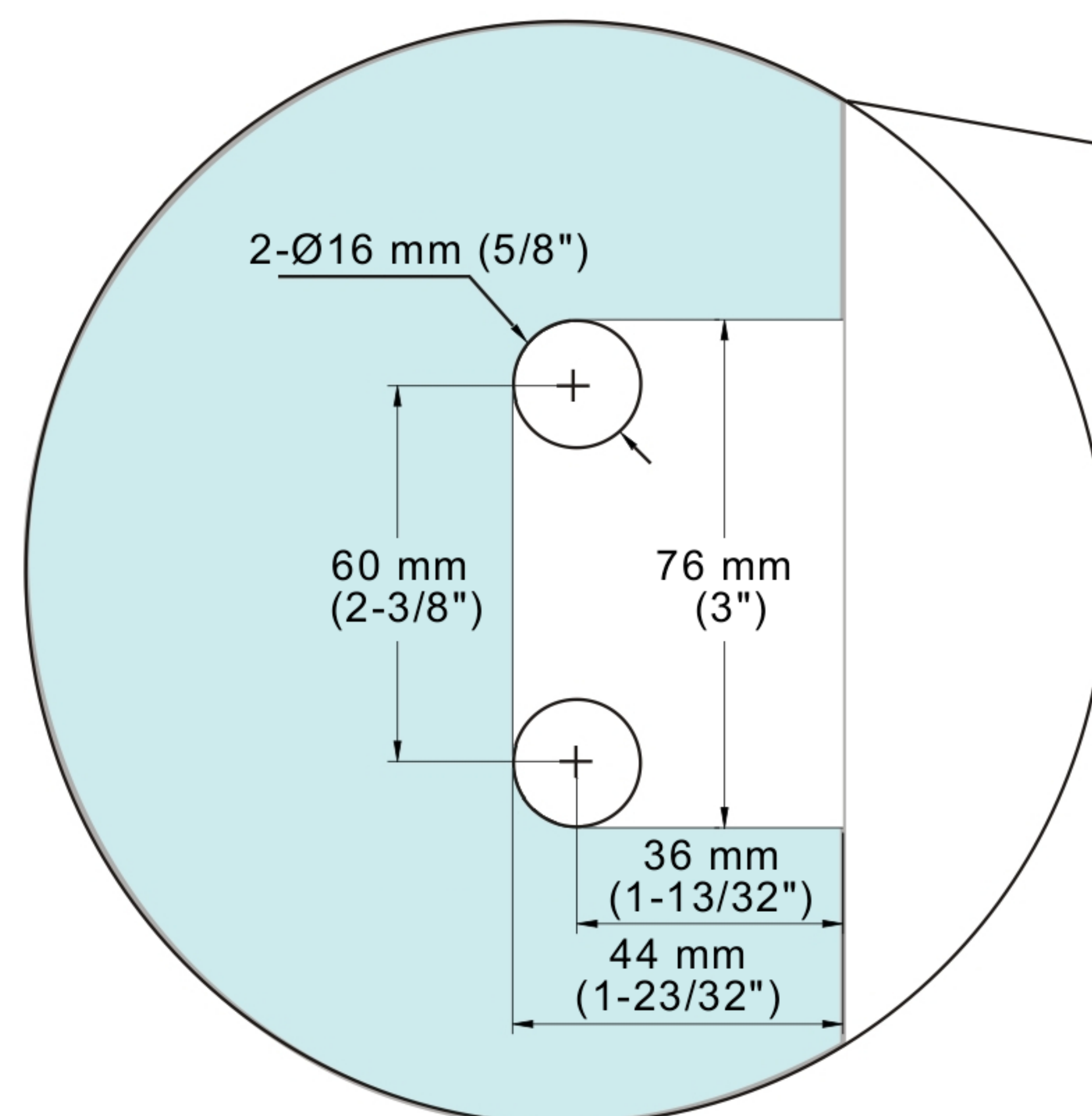
SN	Name	Qty
1	Hinge	1
2	1 mm gasket (1/32")	4
3	2 mm gasket (3/32")	4
4	Hinge plate	2
5	Screws M6x16 mm (5/8")	4
6	Allen key	1

- ▶ **10 mm (3/8") glass:**
2 mm (3/32") gasket
- ▶ **12 mm (1/2") glass:**
1 mm (1/32") gasket
- ▶ **Capacity for 2 hinges:**
Weight: 45 kg (99 lb)
Door width: 762 mm (30")
- ▶ **Capacity for 3 hinges:**
Weight: 68 kg (150 lb)
Door width: 915 mm (36")

Glass template:



Standard Template



Clearance Template

