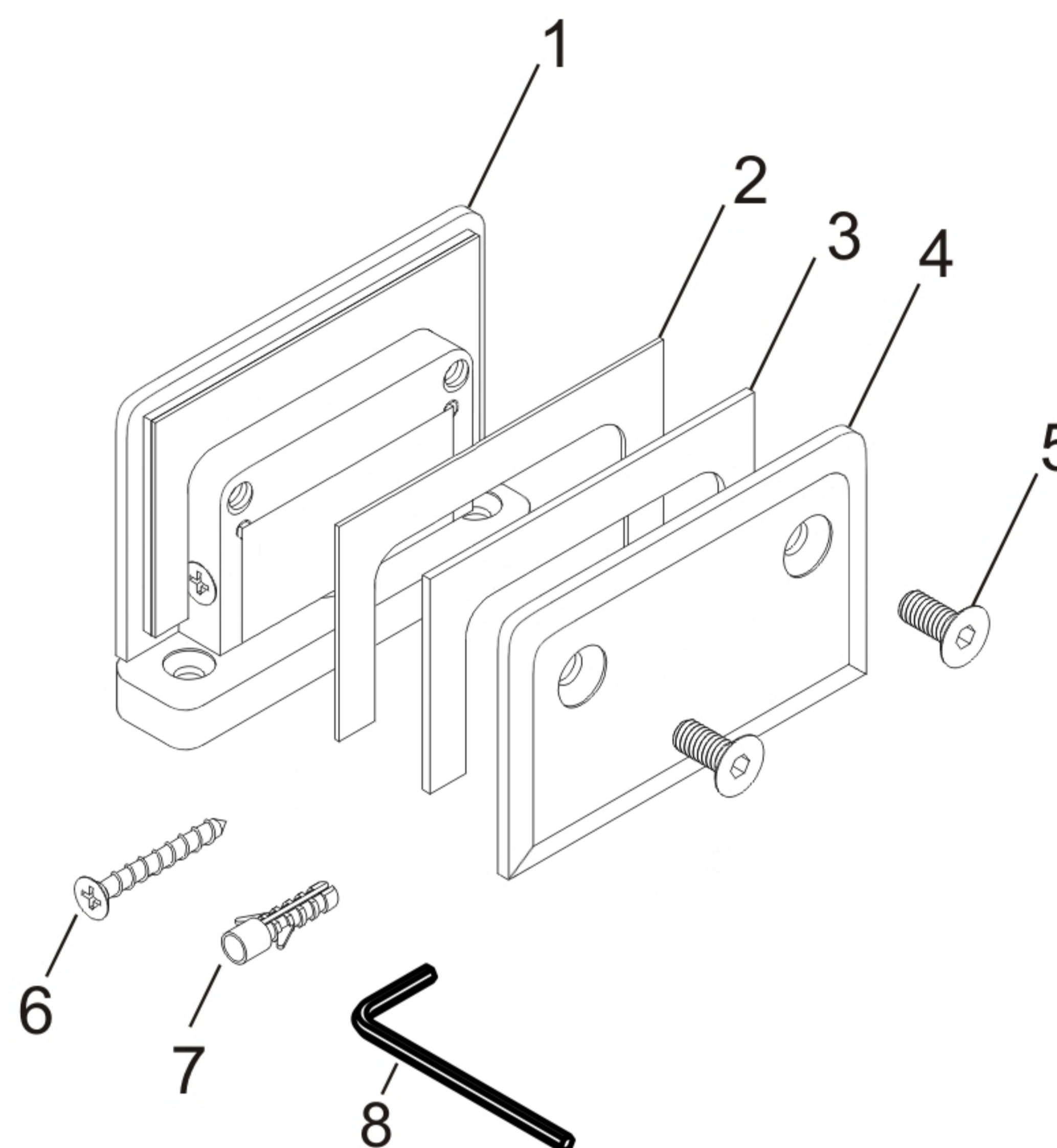
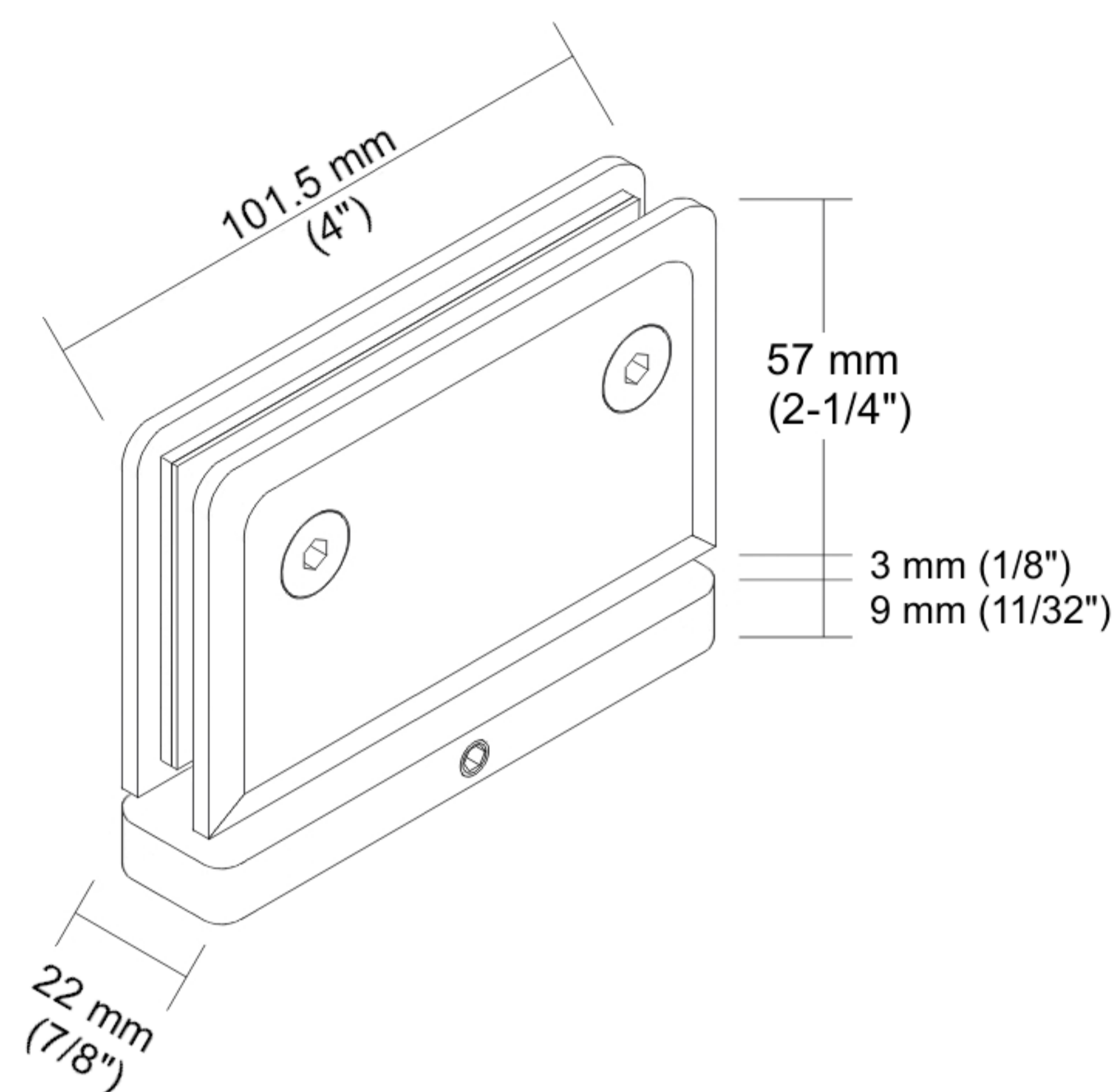


Measurements:



Components for 1 hinge:

SN	Name	Qty
1	Hinge	1
2	1 mm gasket (1/32")	2
3	2 mm gasket (3/32")	2
4	Hinge plate	1
5	Screws M6x16 mm (5/8")	2
6	Self-tapping screw	2
7	Plastic wall anchor	2
8	Allen key	1

*See online for available finishes
 *For 10-12 mm (3/8"-1/2") glass

► **10 mm (3/8") glass:**
 2 mm (3/32") gasket

► **12 mm (1/2") glass:**
 1 mm (1/32") gasket

► **Capacity for 2 hinges:**
 Weight: 55 kg (120 lb)
 Door width: 813 mm (32")

Glass template:

