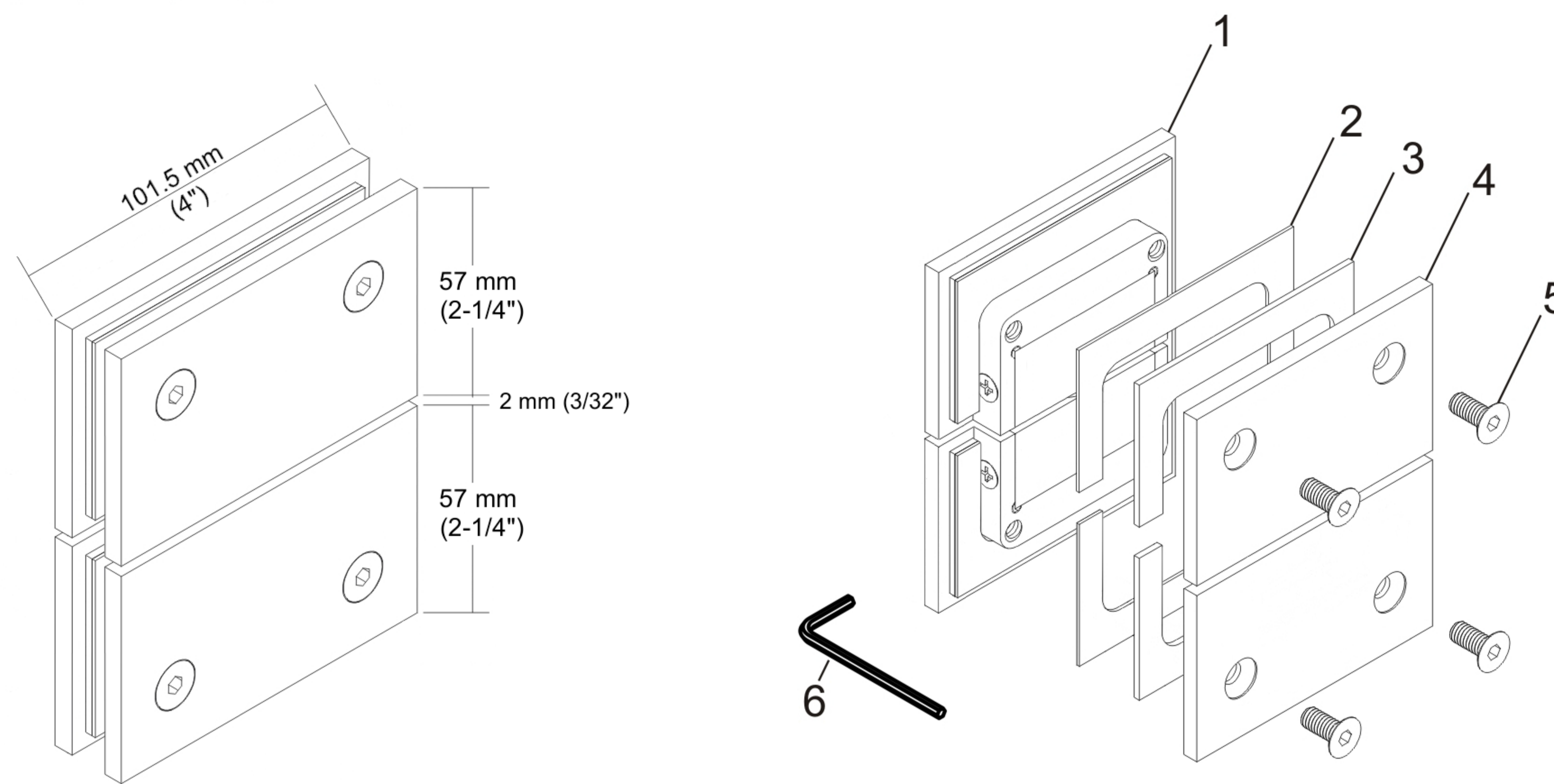


Measurements:



*See online for available finishes
 *For 10-12 mm (3/8"-1/2") glass

Components for 1 hinge:

SN	Name	Qty
1	Hinge	1
2	1 mm gasket (1/32")	4
3	2 mm gasket (3/32")	4
4	Hinge plate	2
5	Screws M6x16 mm (5/8")	4
6	Allen key	1

- ▶ **10 mm (3/8") glass:**
2 mm (3/32") gasket
- ▶ **12 mm (1/2") glass:**
1 mm (1/32") gasket
- ▶ **Capacity for 2 hinges:**
Weight: 55 kg (120 lb)
Door width: 813 mm (32")

Glass template:

