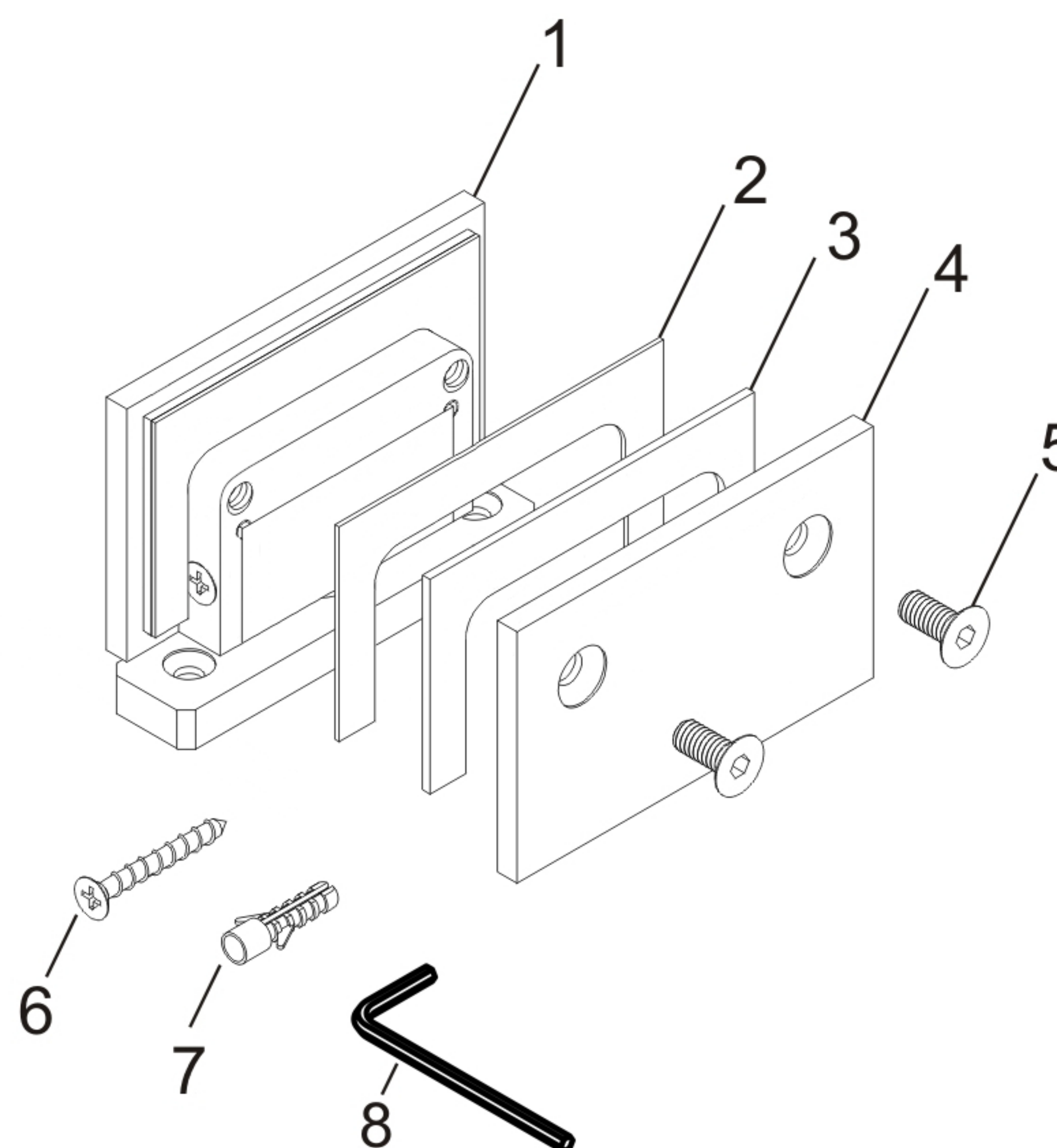
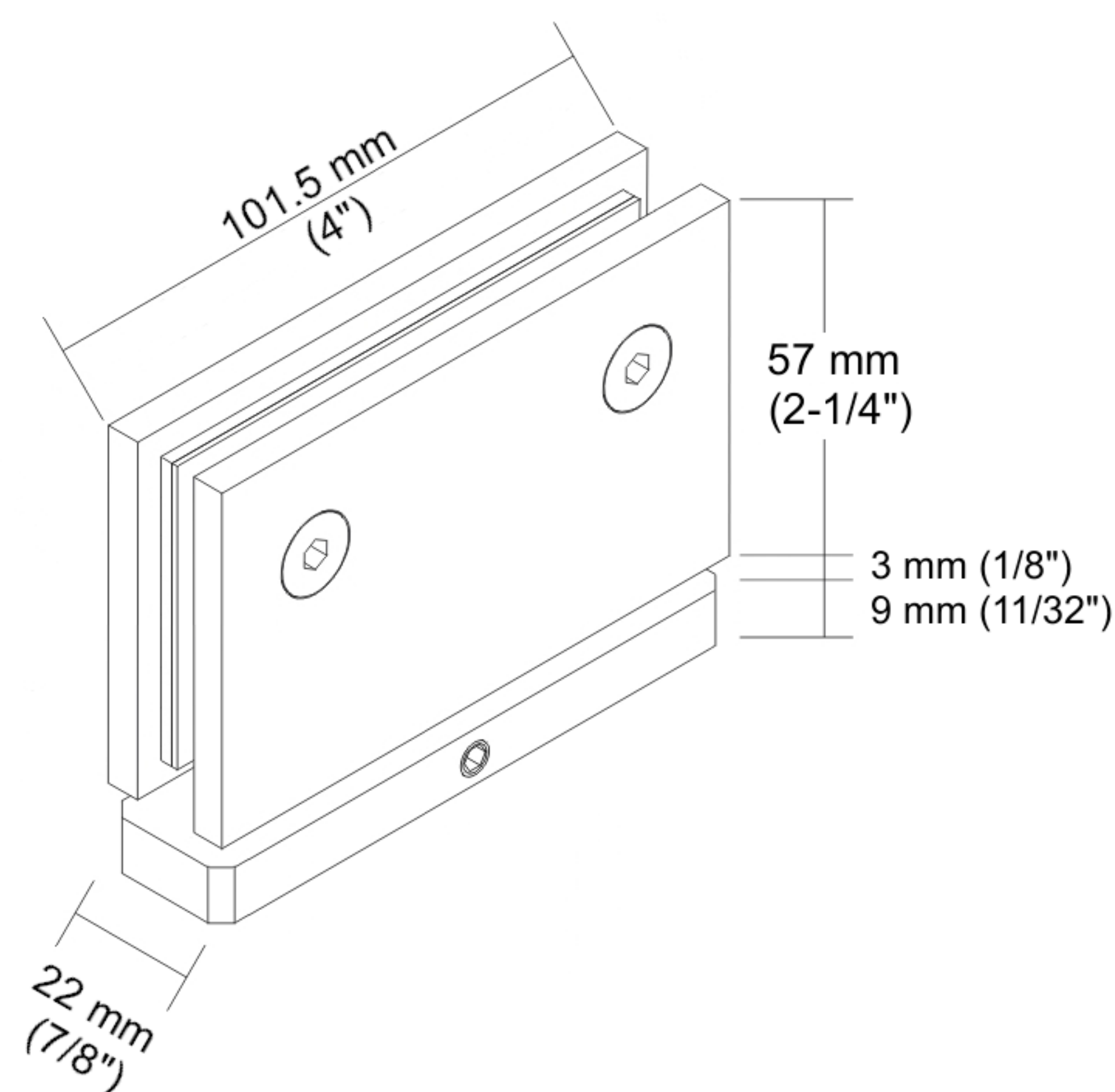


**Measurements:**



**Components for 1 hinge:**

SN	Name	Qty
1	Hinge	1
2	1 mm gasket (1/32")	2
3	2 mm gasket (3/32")	2
4	Hinge plate	1
5	Screws M6x16 mm (5/8")	2
6	Self-tapping screw	2
7	Plastic wall anchor	2
8	Allen key	1

\*See online for available finishes  
 \*For 10-12 mm (3/8"-1/2") glass

► **10 mm (3/8") glass:**  
 2 mm (3/32") gasket

► **12 mm (1/2") glass:**  
 1 mm (1/32") gasket

► **Capacity for 2 hinges:**  
 Weight: 55 kg (120 lb)  
 Door width: 813 mm (32")

**Glass template:**

