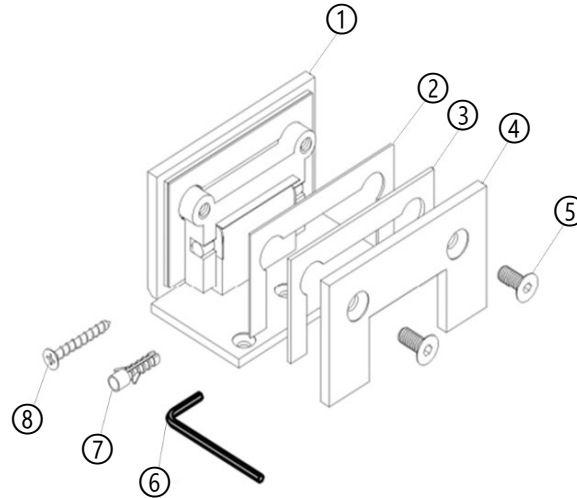
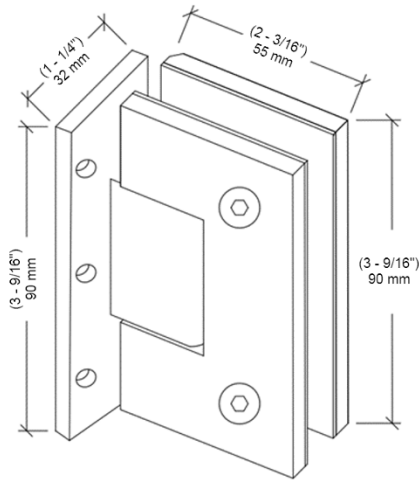


Measurements:



Components for 1 hinge:		
SN	Name	Qty
1	Hinge	1
2	1mm (1/32) Gasket	2
3	2mm (3/32) Gasket	2
4	Hinge Plate	1
5	Hex Assembly Screw	2
6	Allen Key	1
7	Plastic Wall Anchor	2
8	Self Tapping Screw	3

* See online for available finishes
 * For glass 8-10mm (5/16" – 13/32")

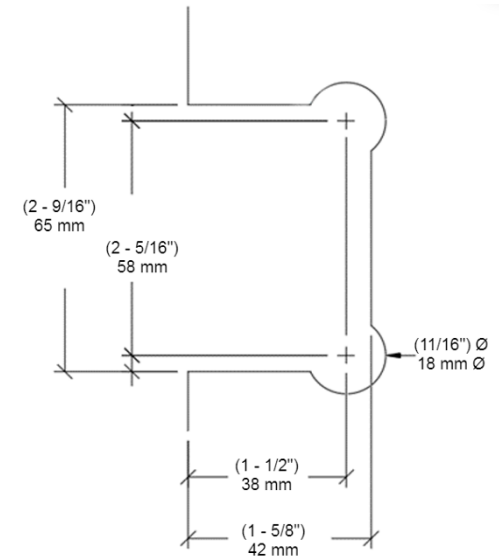
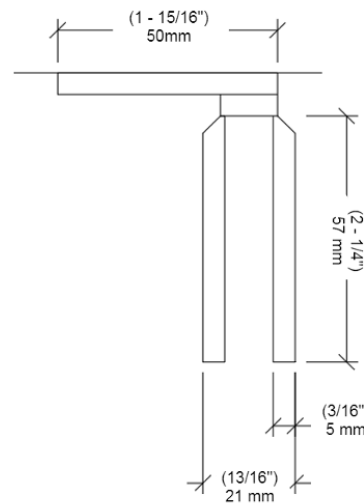
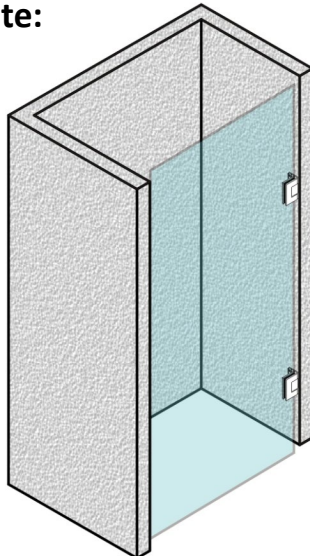
▶ **8 mm (5/16") glass:**
 2 mm (3/32") & 1 mm (1/32")

▶ **10 mm (3/8") glass:**
 2 mm (3/32") gasket

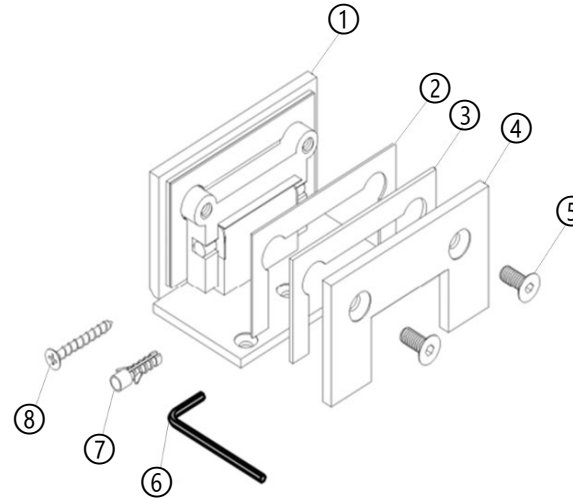
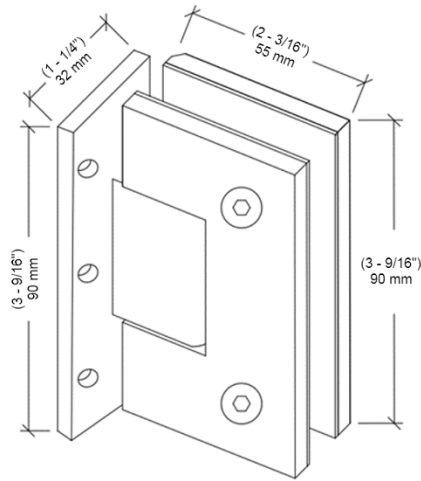
▶ **Capacity For 2 Hinges:**
 Weight: 50 kg (110Lb)
 Door Width: 914 mm (36")

▶ **Capacity For 3 Hinges:**
 Weight: 63 kg (139Lb)
 Door Width: 914 mm (36")

Glass Template:



Dimensions:



Composantes pour 1 charnière		
SN	Nom	Qté
1	Charnière	1
2	Joint 1mm (1/32)	2
3	Joint 2mm (3/32)	2
4	Plaque de charnière	1
5	Vis d'assemblage	2
6	Clé Allen	1
7	Goupilles	2
8	Vis	3

* Voir en ligne pour finis
 * Pour verre 8-10mm (5/16" – 13/32")

▶ **verre 8 mm (5/16") :**
 2 mm (3/32") & 1 mm (1/32")

▶ **verre 10 mm (3/8") :**
 2 mm (3/32") gasket

▶ **Capacité pour 2 charnières:**
 Poids: 50 kg (110Lb)
 Largeur de porte: 914 mm (36")

▶ **Capacité pour 3 charnières:**
 Poids: 63 kg (139Lb)
 Largeur de porte: 914 mm (36")

Gabarit:

