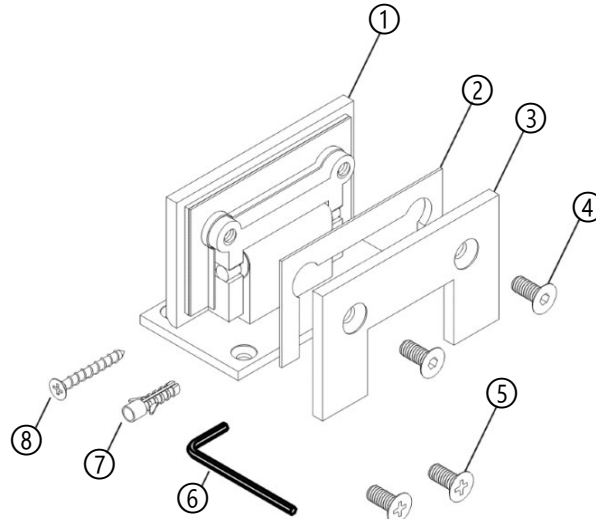
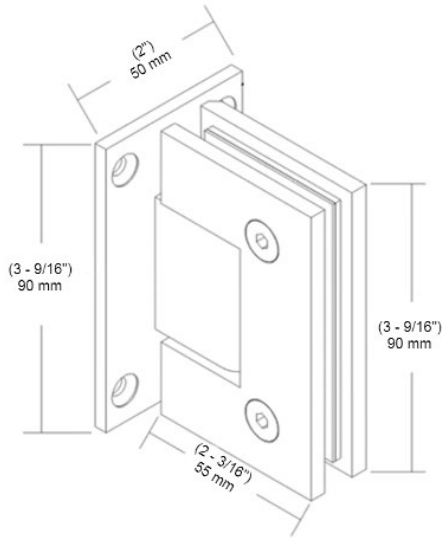


Measurements:

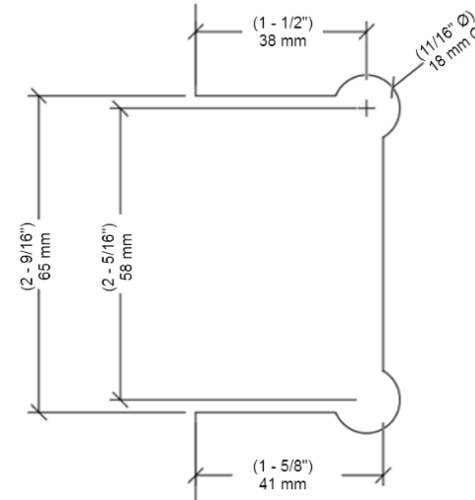
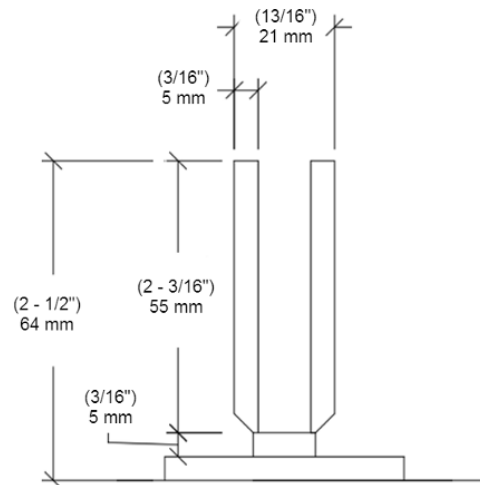
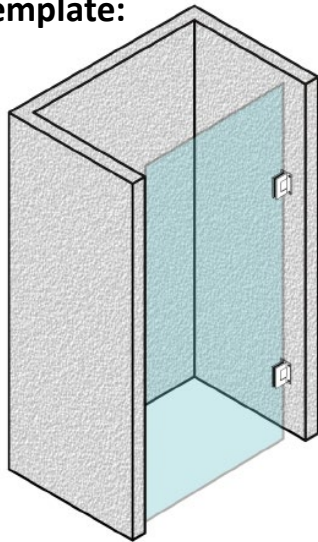


Components for 1 Hinge:		
SN	Name	Qty
1	Hinge	1
2	Gasket	4
3	Hinge Plate	1
4	Hex Assembly Screws	2
5	Phillips Assembly Screws	2
6	Allen Key	1
7	Plastic Wall Anchor	2
8	Self Tapping Screws	2

* See online for available finishes
 * For glass 8-10mm (5/16" – 3/8")

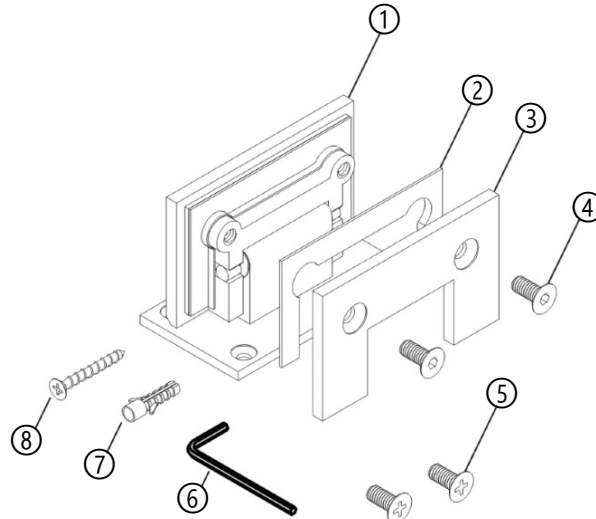
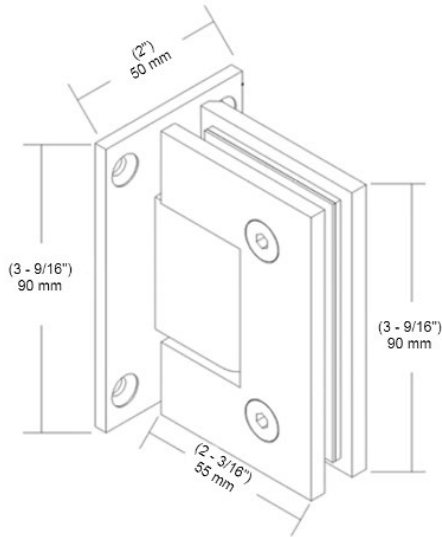
- ▶ **8 mm (5/16") glass:**
2 mm (3/32") & 1 mm (1/32")
- ▶ **10 mm (3/8") glass:**
2 mm (3/32") gasket
- ▶ **Capacity For 2 Hinges:**
Weight: 50 kg (110Lb)
Door Width: 914 mm (36")
- ▶ **Capacity For 3 Hinges:**
Weight: 63 kg (139Lb)
Door Width: 914 mm (36")

Glass Template:



Mouse Ear Template

Dimensions:

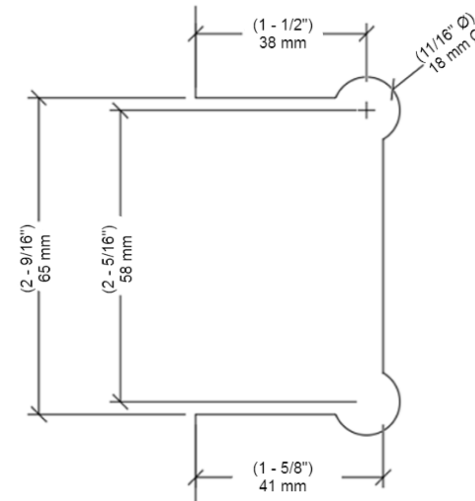
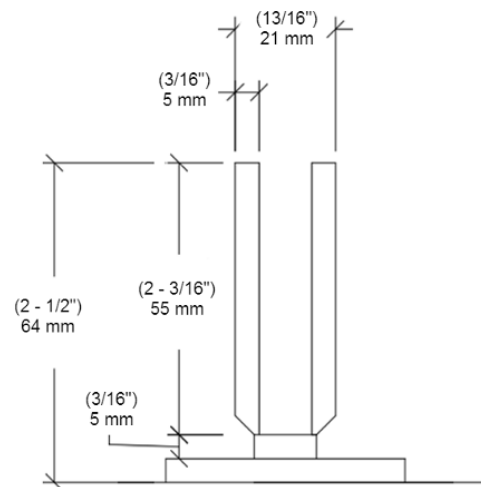
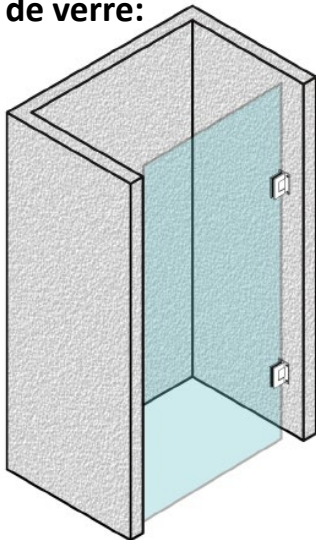


Components for 1 Hinge:		
SN	Name	Qty
1	Charnière	1
2	Joint	4
3	Plaque de charnière	1
4	Vis d'assemblage hexagonale	2
5	Vis d'assemblage Philips	2
6	Clé Allen	1
7	Ancrage mural en plastique	2
8	Vis auto-taraudeuse	2

* Voir en ligne les finis disponibles
 * Verre de 8-10mm (5/16" - 3/8")

- ▶ **Verre de 8 mm (5/16"):**
2 mm (3/32") & 1 mm (1/32")
- ▶ **Verre de 10 mm (3/8"):**
2 mm (3/32") gasket
- ▶ **Capacité pour 2 charnières:**
Poids: 50 kg (110Lb)
Largeur de la porte: 914 mm (36")
- ▶ **Capacité pour 3 charnières:**
Poids: 63 kg (139Lb)
Largeur de la porte: 914 mm (36")

Modèle de verre:



Modèle Oreille de souris