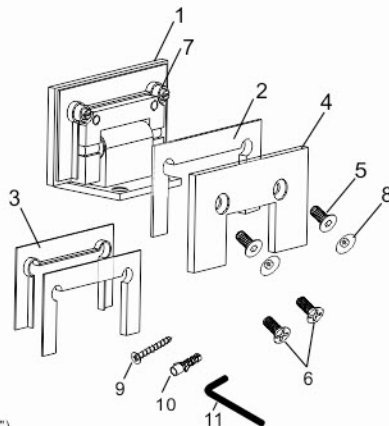
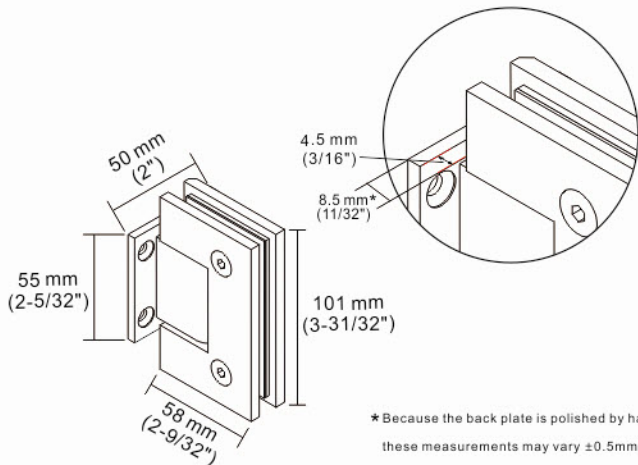


\*See online for available finishes  
\*For 10-12mm (3/8"-5/16") glass



**Components for 1 hinge:**

S. N	Name	Qty
1	Hinge	1
2	Thick Gasket	2
3	Thin Gasket	2
4	Hinge plate	1
5	Hex Screws M6x14 mm	2
6	Phillips Screws M6x14 mm	2
7	Plastic Washer	2
8	Cap for screw (for 140 finish only)	2
9	Self-tapping Screw	4
10	Plastic Wall Anchor	4
11	Allen Key	1

▶ 10 mm (3/8") glass:  
1x Thick gasket

▶ **Capacity for 2 hinges:**  
Weight: 45 kg (99 lbs)  
Door width: 864 mm (34")

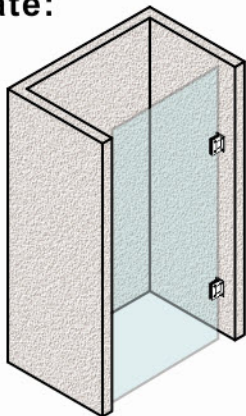
▶ **Capacity for 3 hinges:**  
Weight: 59 kg (130 lbs)  
Door width: 864 mm (34")

▶ 12 mm (1/2") glass:  
1x Thin gasket

▶ **Capacity for 2 hinges:**  
Weight: 45 kg (99 lbs)  
Door width: 813 mm (32")

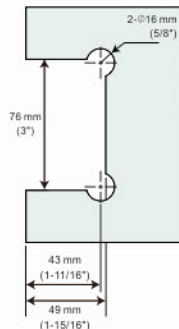
▶ **Capacity for 3 hinges:**  
Weight: 59 kg (130 lbs)  
Door width: 813 mm (32")

## Glass template:



### Cut-out Required

#### Type 1: "Mouse-Ear" Cut-out Option



#### Type 2: Rectangular Cut-out Option

