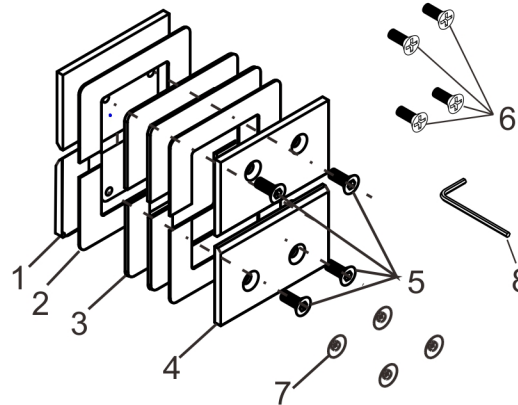
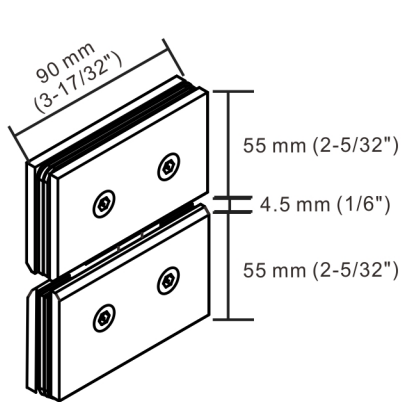


* See online for available finishes
 * For 8-10mm (5/16"-3/8") glass



Components for 1 hinge:		
S. N	Name	Qty
1	Hinge	1
2	Gasket(1 mm)	2
3	Gasket(2 mm)	2
4	Hinge plate	1
5	Hex Screws M6x14 mm	4
6	Phillips Screws M6x14 mm	4
7	Cap for Hex Screw (for 140 finish only)	4
8	Allen Key	1

► **8 mm (5/16") glass:**
 2 mm (3/32") gasket

► **10 mm (3/8") glass:**
 1 mm (1/32") gasket

► **Capacity for 2 hinges:**
 Weight: 45 kg (99 lb)
 Door width: 787 mm (31")

Glass template:

