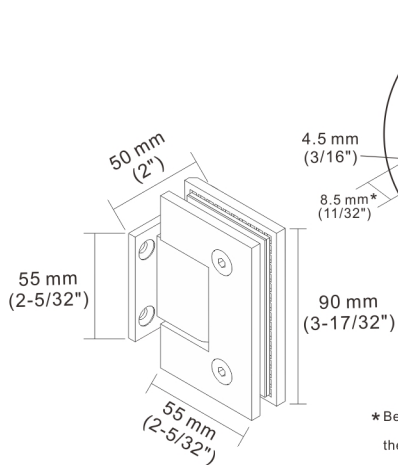
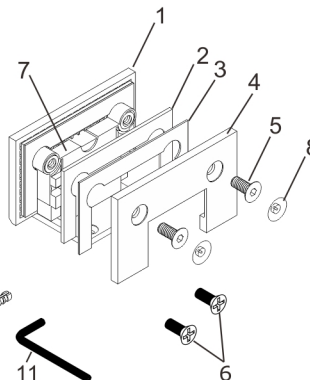


* See online for available finishes
 * For 8-10mm (5/16"-3/8") glass



* Because the back plate is polished by hand,
 these measurements may vary $\pm 0.5\text{mm}$ (1/64")



Components for 1 hinge:

S. N	Name	Qty
1	Hinge	1
2	Gasket (1 mm)	2
3	Gasket (2 mm)	2
4	Hinge plate	1
5	Hex Screws M6x14 mm	2
6	Philips Screws M6x14 mm	2
7	Retaining plastic	1
8	Cap for screw (for 140 finish only)	2
9	Self-tapping Screw	4
10	Plastic Wall Anchor	4
11	Allen Key	1

- **8 mm (5/16") glass:**
2 mm (3/32") gasket
- **10 mm (3/8") glass:**
1 mm (1/32") gasket
- **Capacity for 2 hinges:**
Weight: 45 kg (99 lb)
Door width: 787 mm (31")

Glass template:

