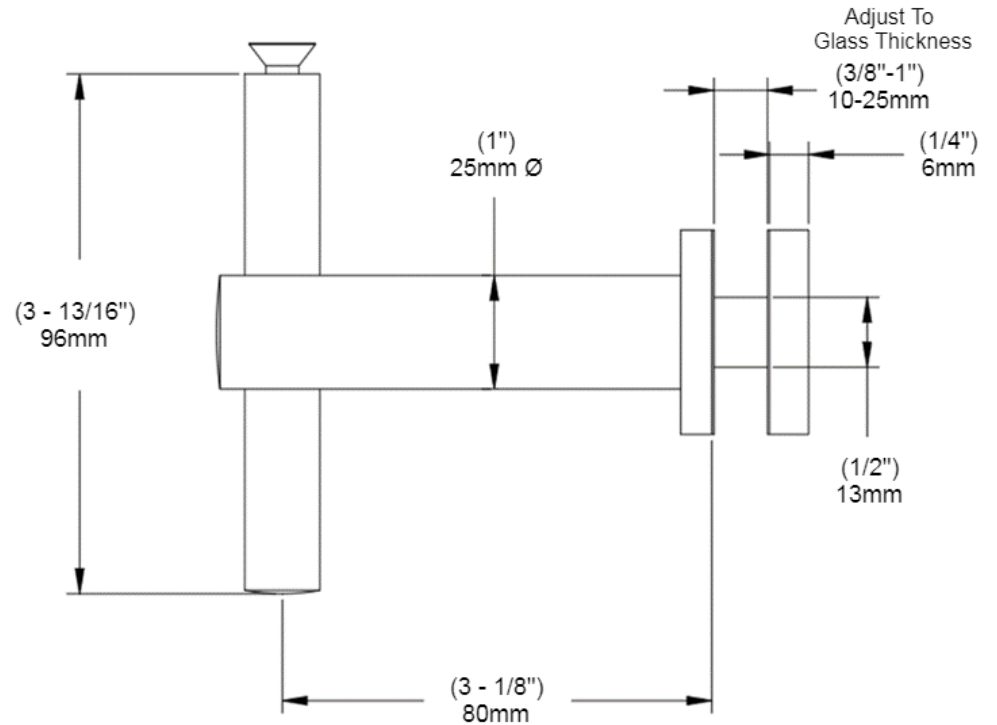
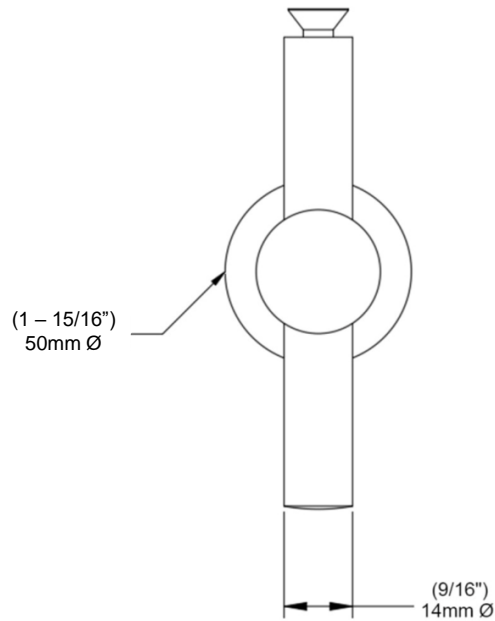


Code No.: SSGF0010016XXX

- For Glass 10 - 25mm (3/8" - 1")
- Hole Fabrication 16-19mm (5/8" - 3/4")



Code No.: SSGF0010016XXX

- Pour verre 10 - 25mm (3/8" - 1")
- Fabrication de trou 16-19mm (5/8" - 3/4")

