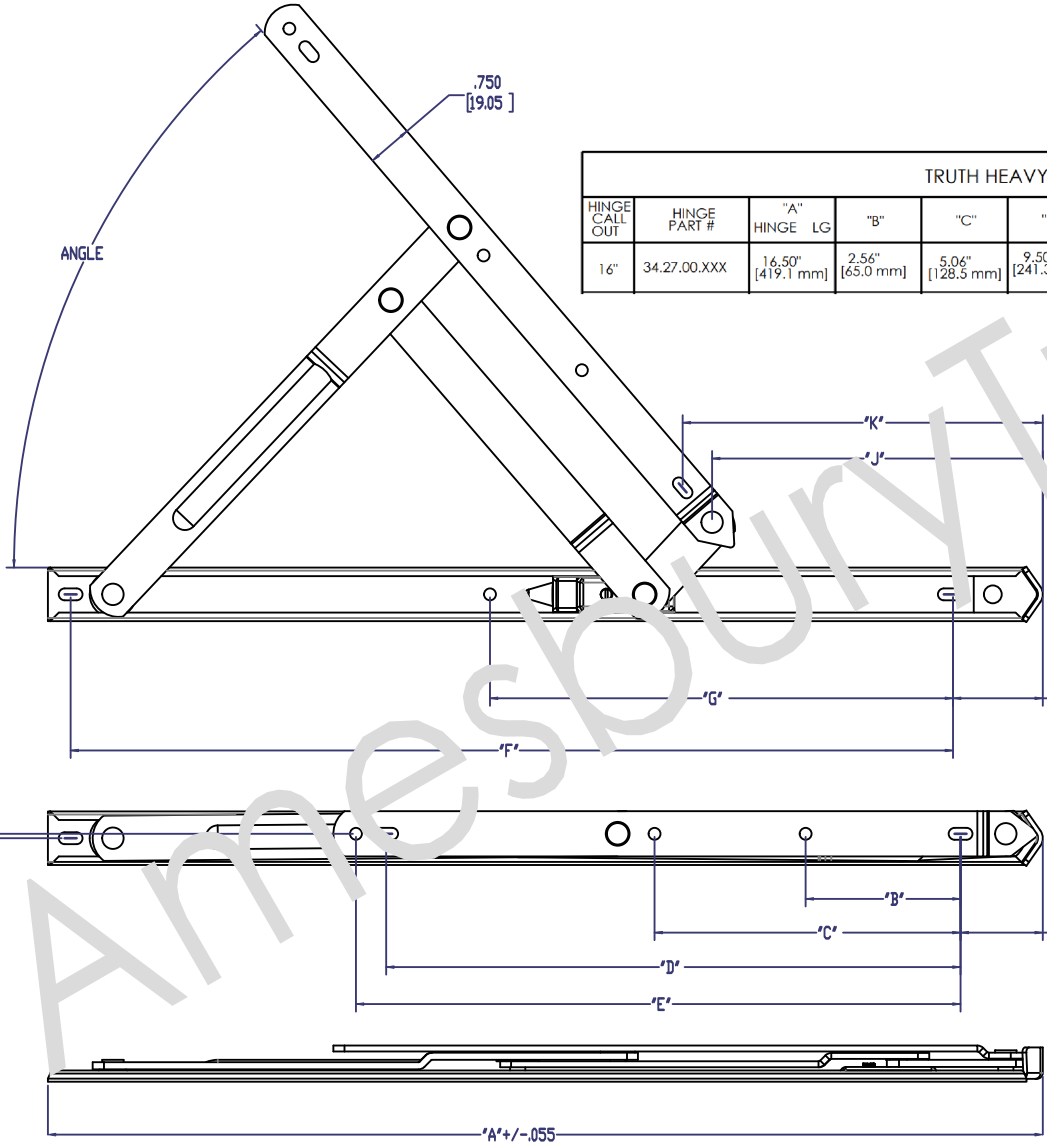


34.27.00.208.1

BREAK ALL SHARP EDGES

34	27	00	208	1
----	----	----	-----	---

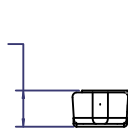


TRUTH HEAVY DUTY 4-BAR HINGE W/STOP													
HINGE CALL OUT	HINGE PART #	"A" HINGE LG	"B"	"C"	"D"	"E"	"F"	"G"	"H"	"I"	"K"	ANGLE	# OF SCREWS
16"	34.27.00.XXX	16.50" [419.1 mm]	2.56" [65.0 mm]	5.06" [128.5 mm]	9.50" [241.3 mm]	10.00" [254.0 mm]	14.59" [370.6 mm]	7.66" [194.6 mm]	NA	5.53" [140.5 mm]	6.02" [152.9 mm]	50°	8

Amesbury Truth



.895^{+0.010}/_{-0.010}
[22.73^{+0.25}/_{-0.25}]



.625^{+0.030}/_{-0.000}
[15.88^{+0.76}/_{0.00}]



Amesbury Truth
 700 West Bridge Street
 Daytona, FL 32209
 Telephone 307-451-5620

34.27.00.208.1

THIS DRAWING CONFORMS TO ANSI Y14.5M - 1994
 DIMENSIONAL PRACTICES AND TOLERANCES

34.27.00.208.1

10 NET SCALE DIMENSIONS

1 2 3 4 5 6 7 8 9 10 11 12 13 14 15 16