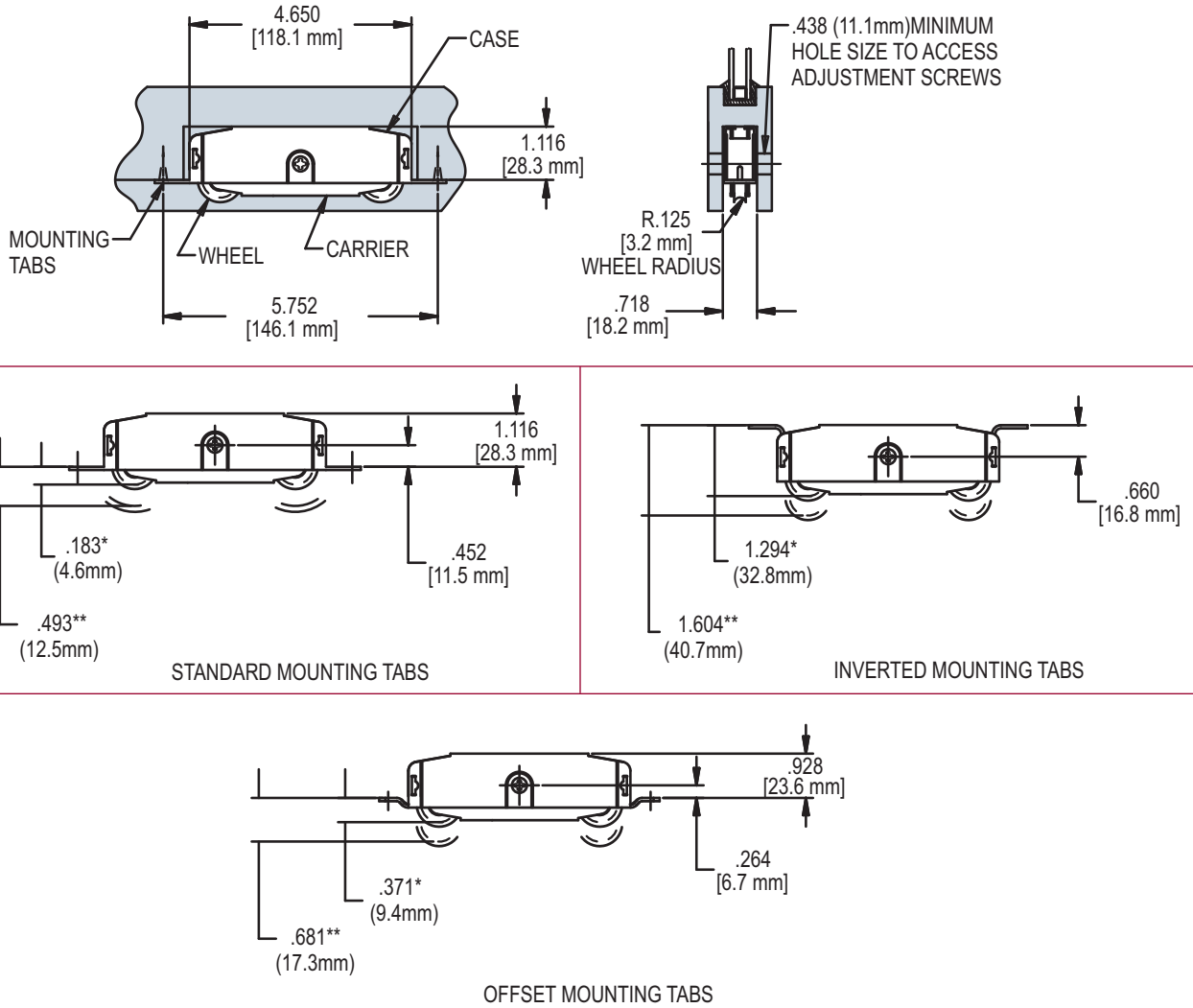


FIG. 1 APPLICATION OF 39 SERIES PATIO DOOR ROLLER



*FULLY RETRACTED WHEEL POSITION-DIMENSION IS TO INSIDE WHEEL RADIUS
 **FULLY EXTENDED WHEEL POSITION-DIMENSION IS TO INSIDE WHEEL RADIUS

PART NO.	CASE AND CARRIER MATERIAL	WHEEL MATERIAL	MOUNTING TABS	SPECIAL FEATURES
39.10	STEEL	STEEL	STANDARD	
39.11	STEEL	NYLON	STANDARD	
39.13	STAINLESS STEEL	STAINLESS STEEL	STANDARD	SST MOUNTING TABS
39.14	STEEL	STEEL	INVERTED	
39.20	STEEL	STAINLESS STEEL	STANDARD	
39.22	STEEL	NYLON	INVERTED	
39.23	STEEL	NYLON	OFFSET	
39.24	STEEL	STEEL	OFFSET	

NOTE:
 TRUTH PATIO DOOR ROLLERS ARE ADJUSTABLE FROM BOTH SIDES. WHEN TURNED COUNTER-CLOCKWISE, THE SIDE WITH CROSSED SLOTS RAISES THE DOOR. WHEN TURNED CLOCKWISE, THE SIDE WITH THE SINGLE SLOT RAISES THE DOOR.

RECOMMENDED SCREWS:

(QTY 2)#8 PHILLIPS, FLAT HEAD SCREWS (LENGTH AND THREAD TYPE TO BE DETERMINED BY PROFILE)